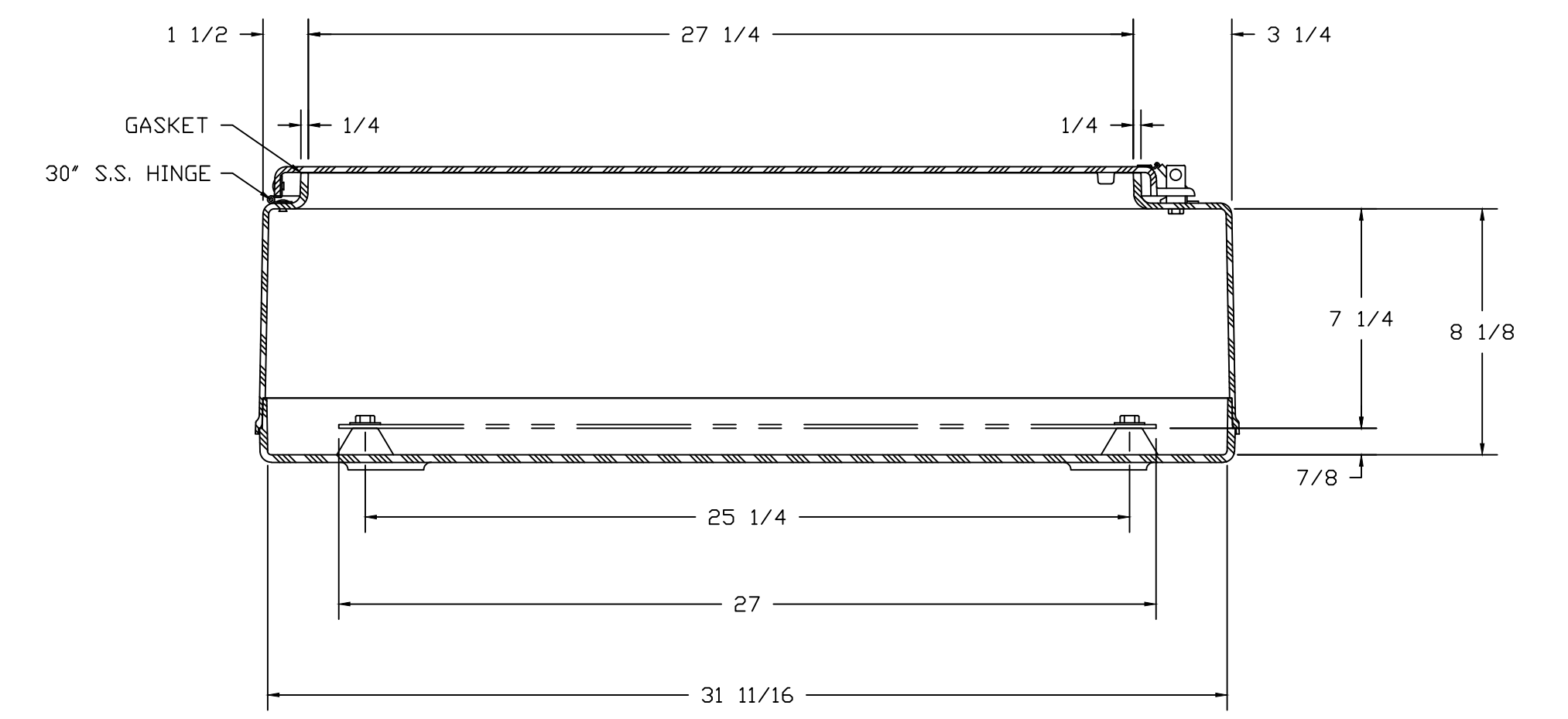
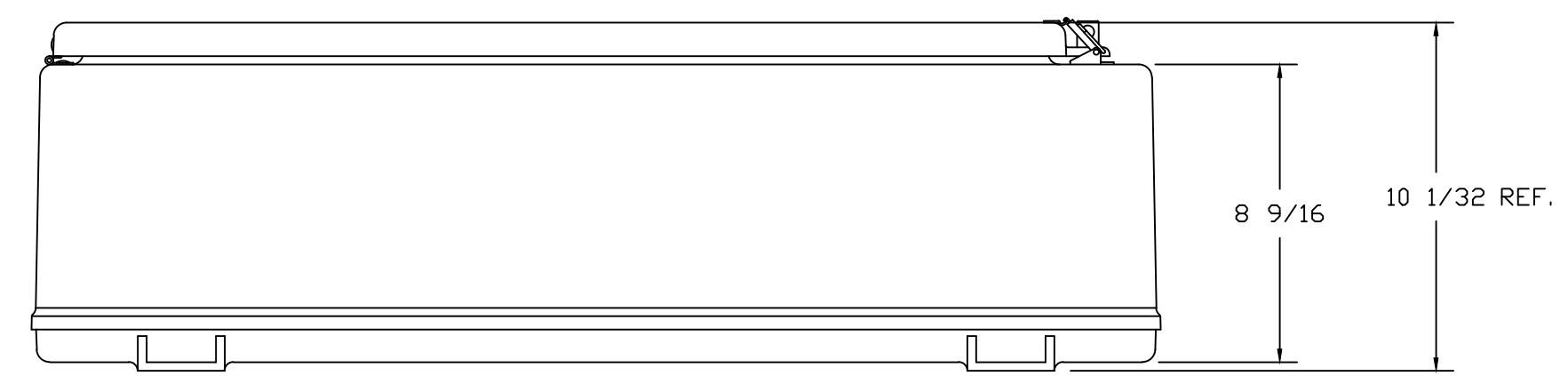



SECTION B-B



SECTION A-A

NOTES:

COLOR: GLACIER GRAY RR1013				TOLERANCES UNLESS SPECIFIED		DECIMAL ± .010	FRACTIONAL ± 1/32
MATERIAL: NEMA 3				DR. BY: GF	DATE: 10/27/93	 <b>STAHLIN ENCLOSURES</b> DIVISION OF ROBROY INDUSTRIES	
MATERIAL: F.R. POLYESTER FIBERGLASS				CHK. BY:	DATE:		
LET.	REVISION RECORD	DATE	BY	CHD.	APD. BY:	DATE:	CUSTOMER:
							BELDING, MICHIGAN 48809
					SCALE: DO NOT SCALE	PART NAME: ENCLOSURE	PART NO.: N36308RT

AutoCAD DWG. FILE: N36308RT