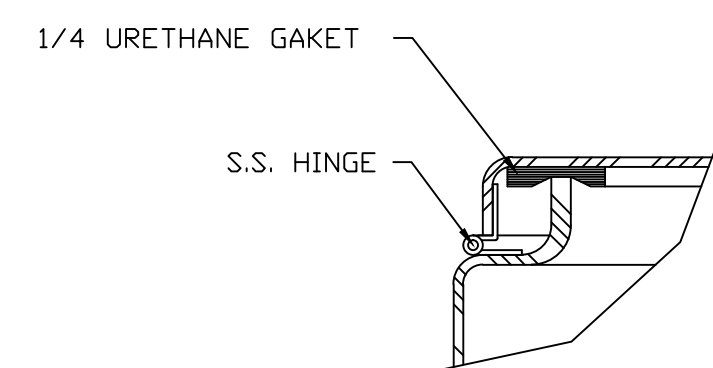
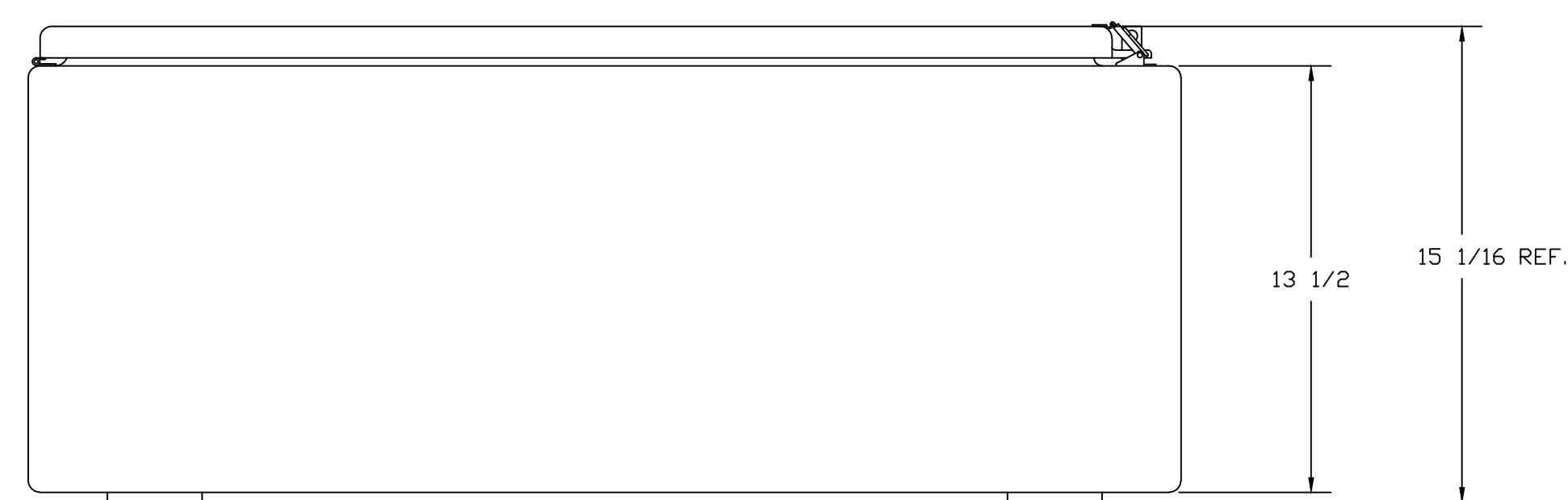
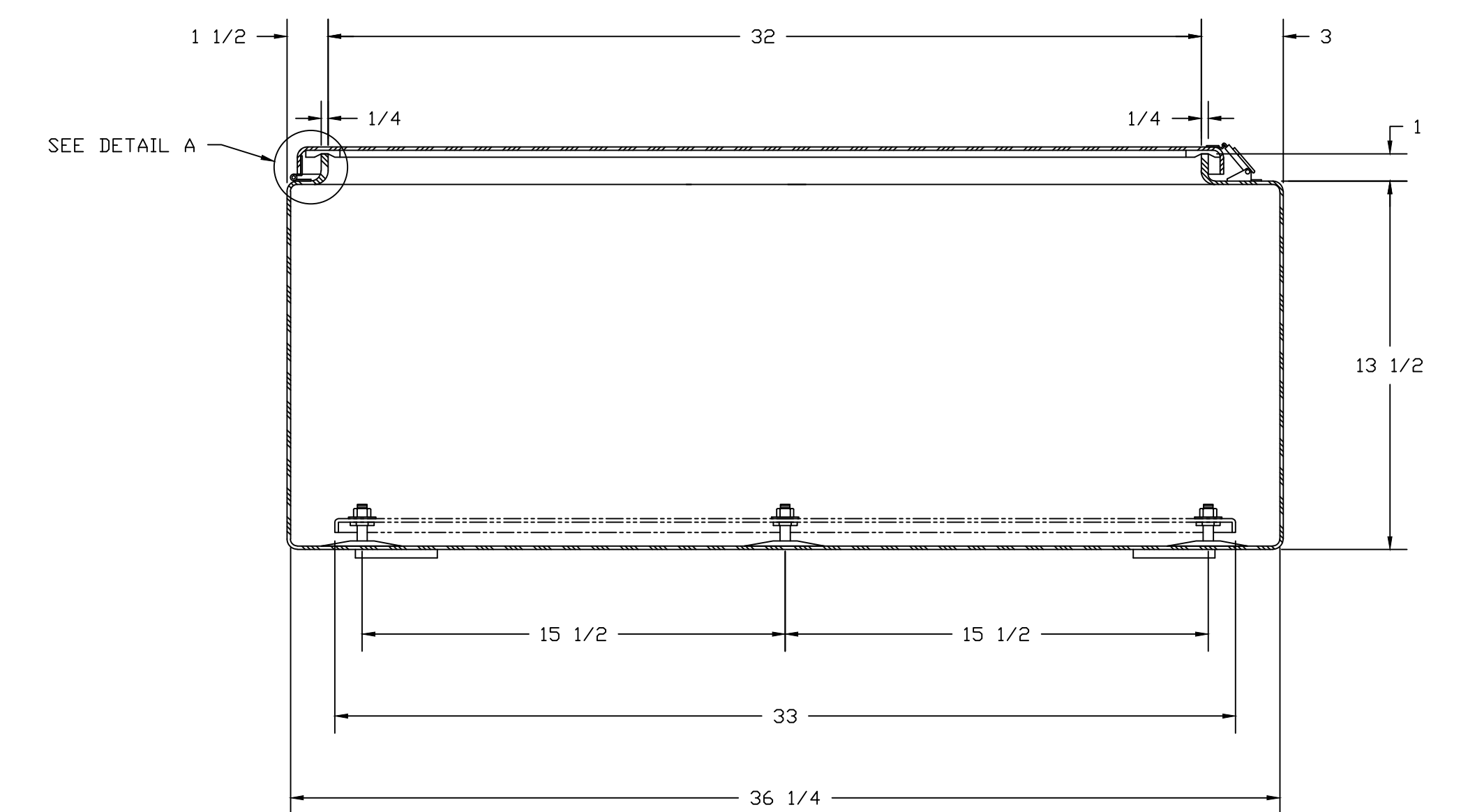



SECTION B-B



DETAIL A



SECTION A-A

NOTES:						EXTERIOR & INTERIOR COLOR STD. GRAY		TOLERANCES UNLESS SPECIFIED		DECIMAL ±	FRACTIONAL ± 1/8
WALL THK. 1/8 NEMA 12											
MATERIAL				DR. BY	DATE	 STAHLIN ENCLOSURES DIVISION OF ROBROY INDUSTRIES		BELDING, MICHIGAN 48809		AutoCAD DWG. FILE N363613	
F.R. POLYESTER FIBERGLASS				GF	11/16/88						
LET.	REVISION RECORD			DATE	BY	CHD.	CHK. BY	DATE	CUSTOMER		
							APD. BY	DATE	SCALE		
									PART NAME		PART NO.
							DO NOT SCALE		ENCLOSURE		N363613