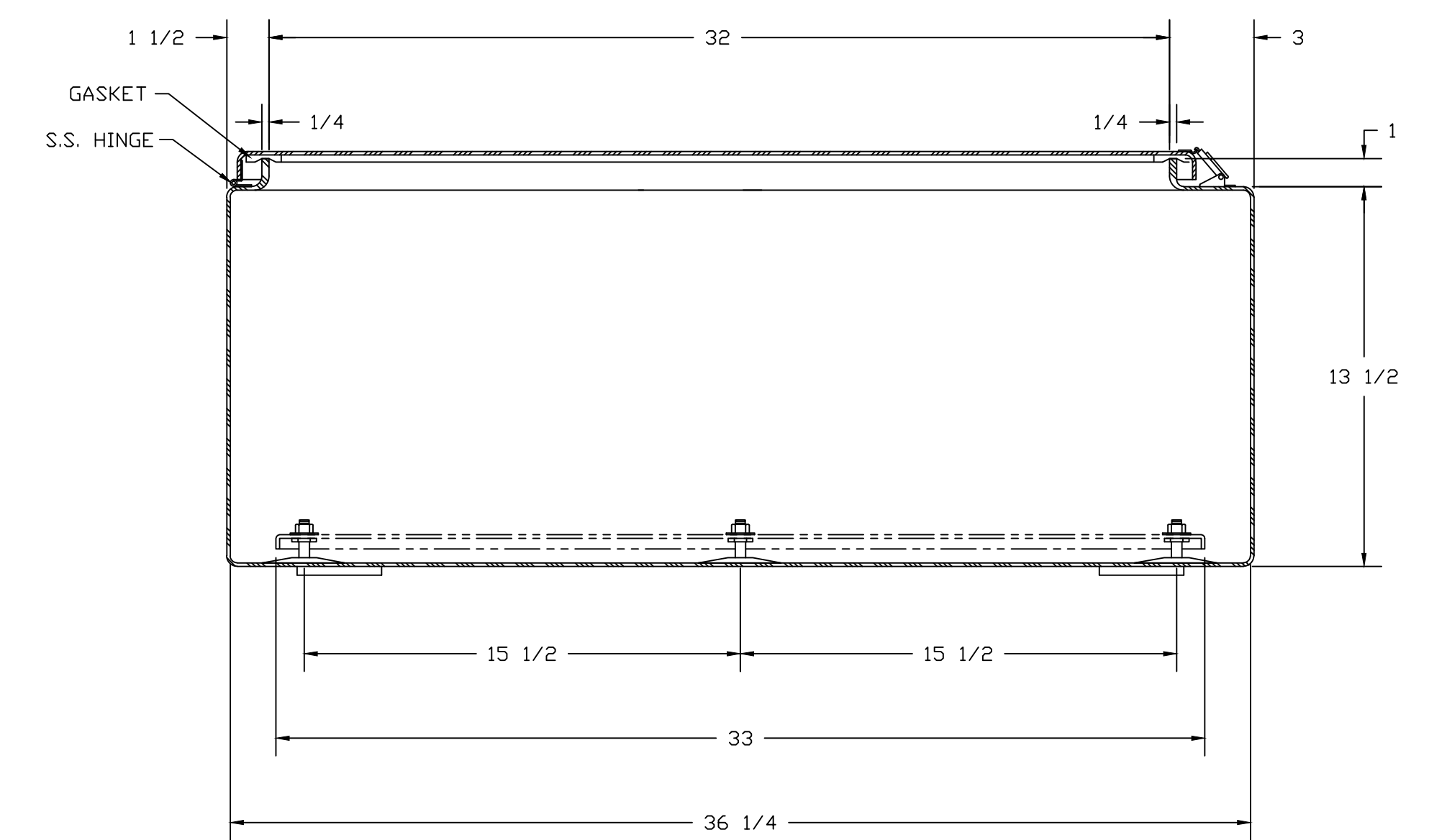
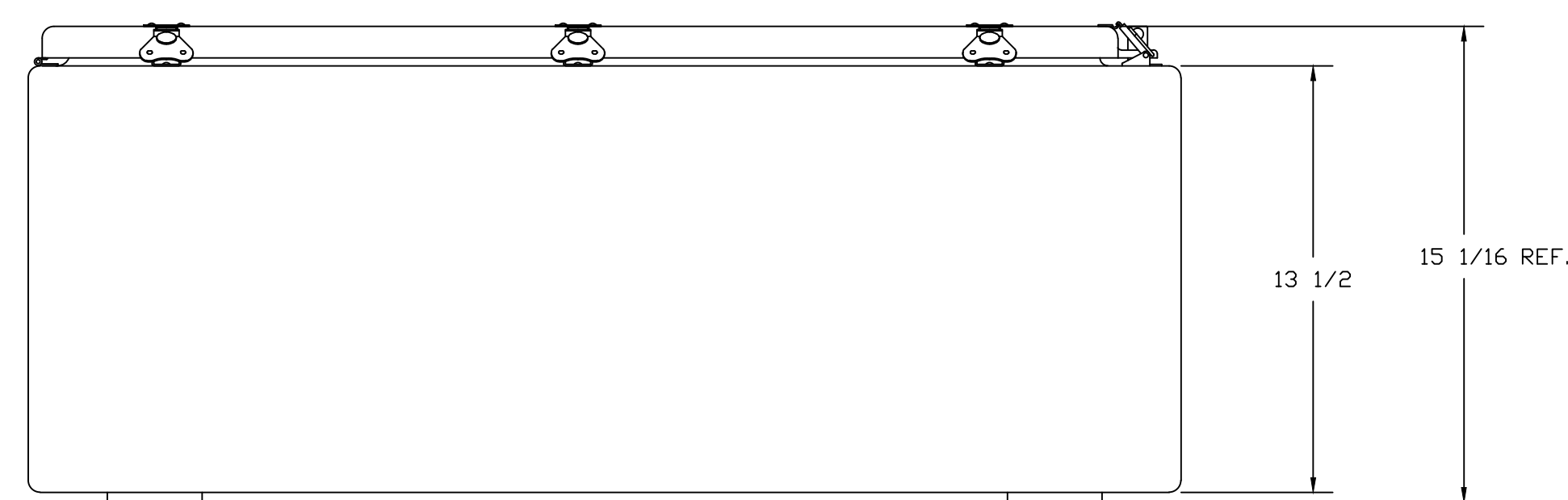



SECTION B-B



SECTION A-A

NOTES:

EXTERIOR & INTERIOR COLOR GLACIER GRAY				TOLERANCES UNLESS SPECIFIED		DECIMAL ±	FRACTIONAL ± 1/8
WALL THK. 1/8							
MATERIAL	DR. BY	DATE	 STAHLIN ENCLOSURES DIVISION OF ROBROY INDUSTRIES		BELDING, MICHIGAN 48809		
F.R. POLYESTER FIBERGLASS	GF	11/16/88					
LET.	REVISION RECORD	DATE	BY	CHD.	CHK. BY	DATE	AutoCAD DWG. FILE
							N363613HWT
					APD. BY	DATE	CUSTOMER
					SCALE	PART NAME	PART NO.
					DO NOT SCALE	ENCLOSURE	N363613HWT