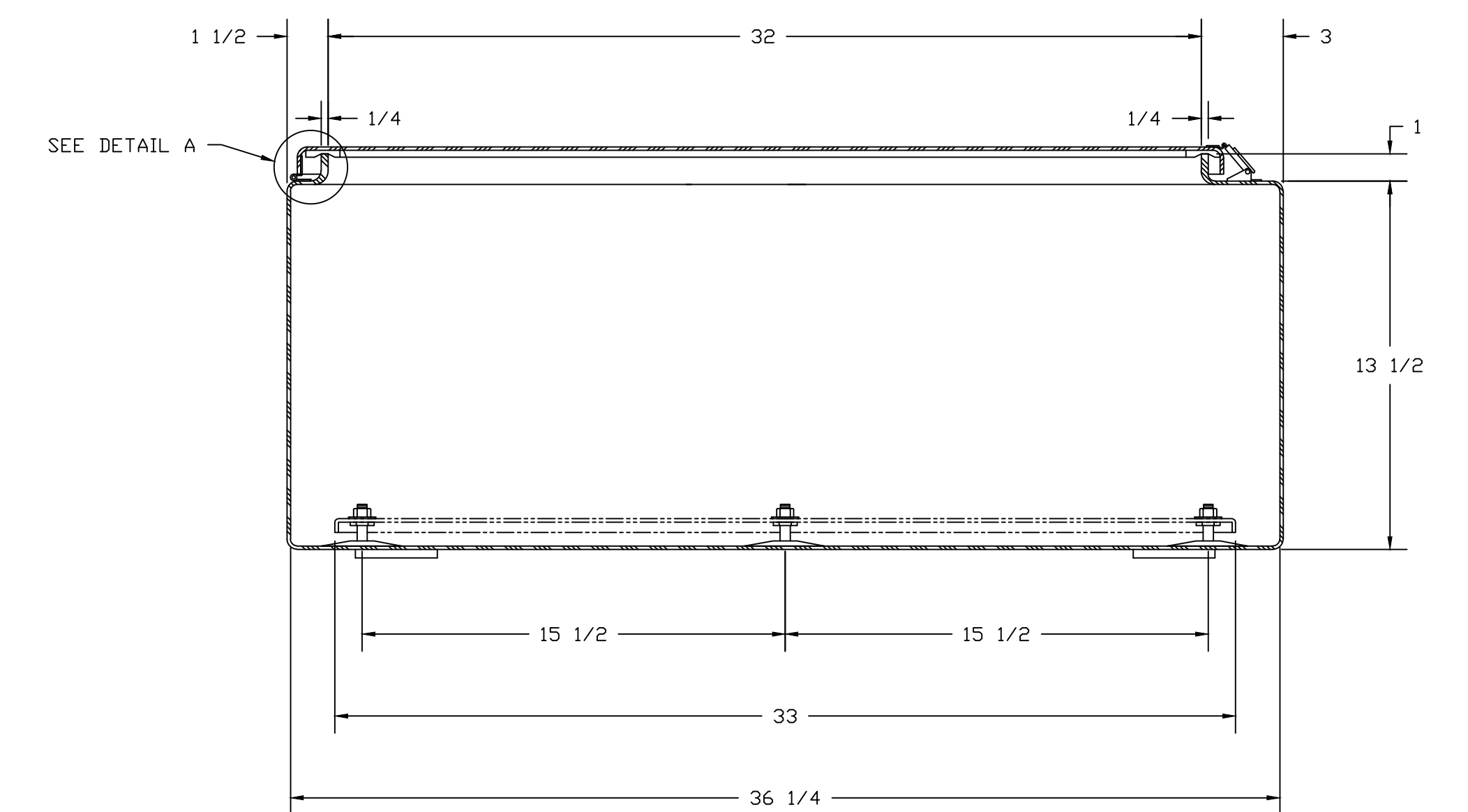
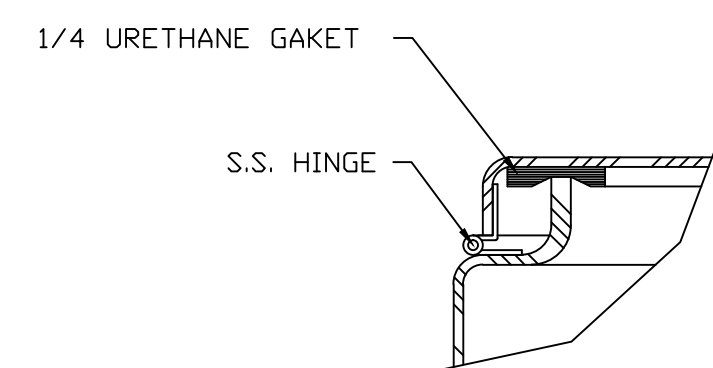


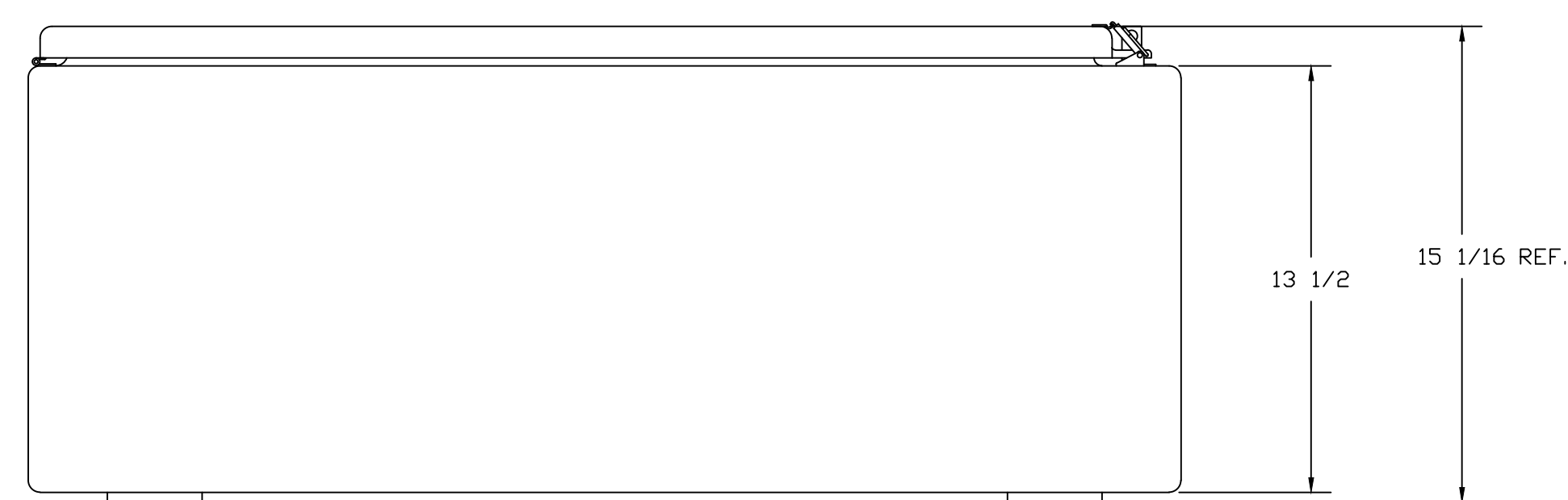
SECTION B-B




SECTION A-A



DETAIL A



NOTES:									
EXTERIOR & INTERIOR COLOR STD. GRAY								TOLERANCES UNLESS SPECIFIED	
WALL THK. 1/8 NEMA 3R								DECIMAL ±	FRACTIONAL ± 1/8
MATERIAL				DR. BY	DATE	 STAHLIN ENCLOSURES DIVISION OF ROBROY INDUSTRIES		BELDING, MICHIGAN 48809 AutoCAD DWG. FILE N363613RT	
F.R. POLYESTER FIBERGLASS				GF	11/16/88				
LET.	REVISION RECORD			DATE	BY	CHD.	CHK. BY	DATE	
							APD. BY	DATE	CUSTOMER
							SCALE DO NOT SCALE		PART NAME ENCLOSURE
									PART NO. N363613RT