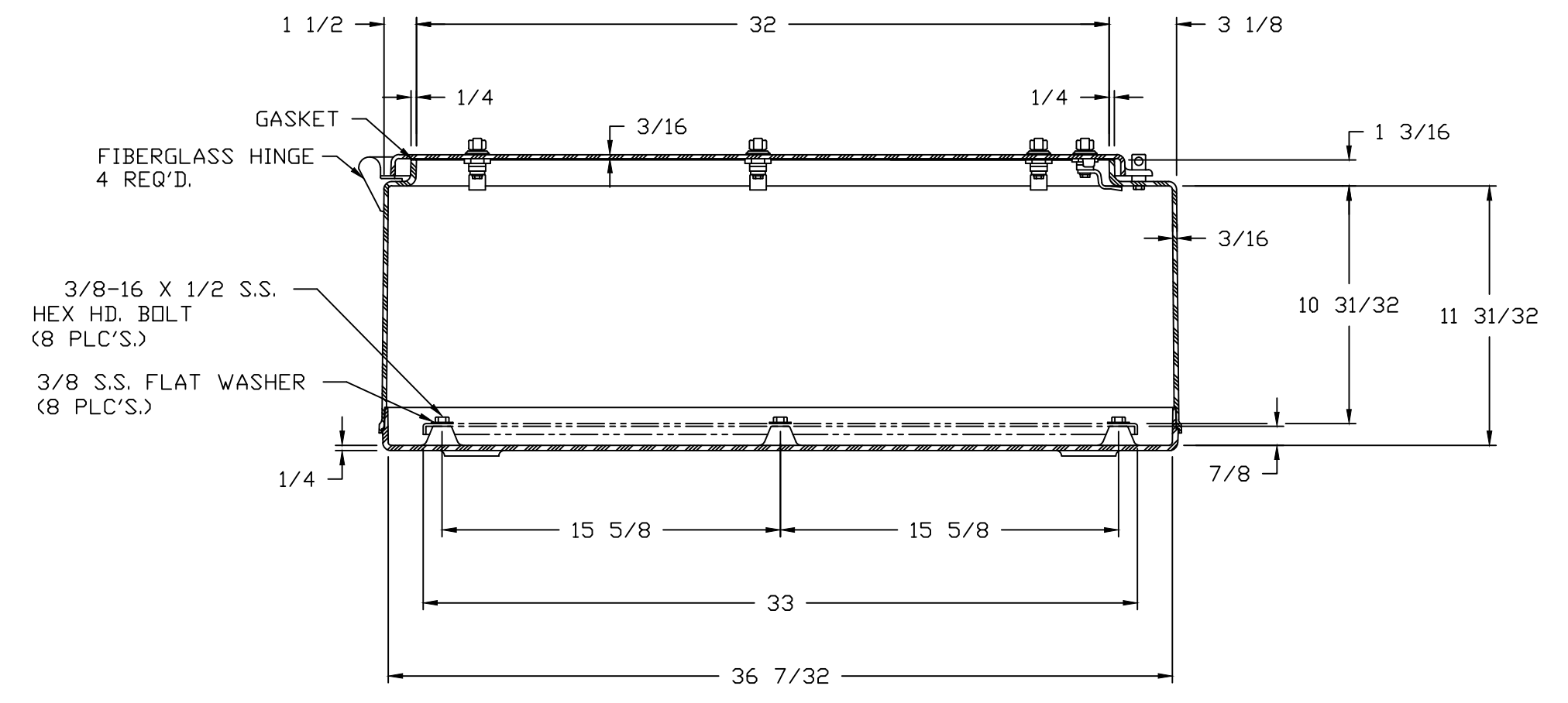
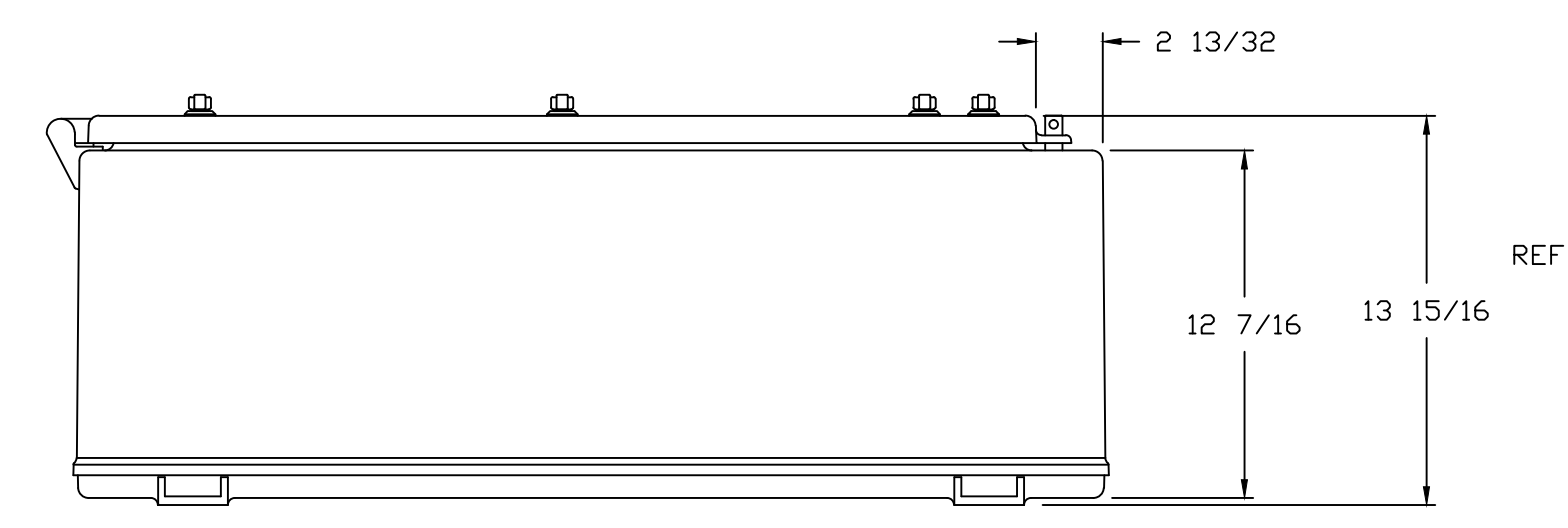



SECTION B-B



SECTION A-A

NOTES:		COLOR: GLACIER GRAY RR1013		TOLERANCES UNLESS SPECIFIED		DECIMAL ± .010	FRACTIONAL ± 1/32
MATERIAL		NEMA 4X		DR. BY	DATE	 BELDING, MICHIGAN 48809	
F.R. POLYESTER FIBERGLASS		GF	10/20/95	CHK. BY	DATE		
LET.	REVISION RECORD	DATE	BY	CHD.	APD. BY	DATE	CUSTOMER
							AutoCAD DWG. FILE N483612FHLWT
SCALE		PART NAME		PART NO.			
DO NOT SCALE		ENCLOSURE		N483612FHLWT			