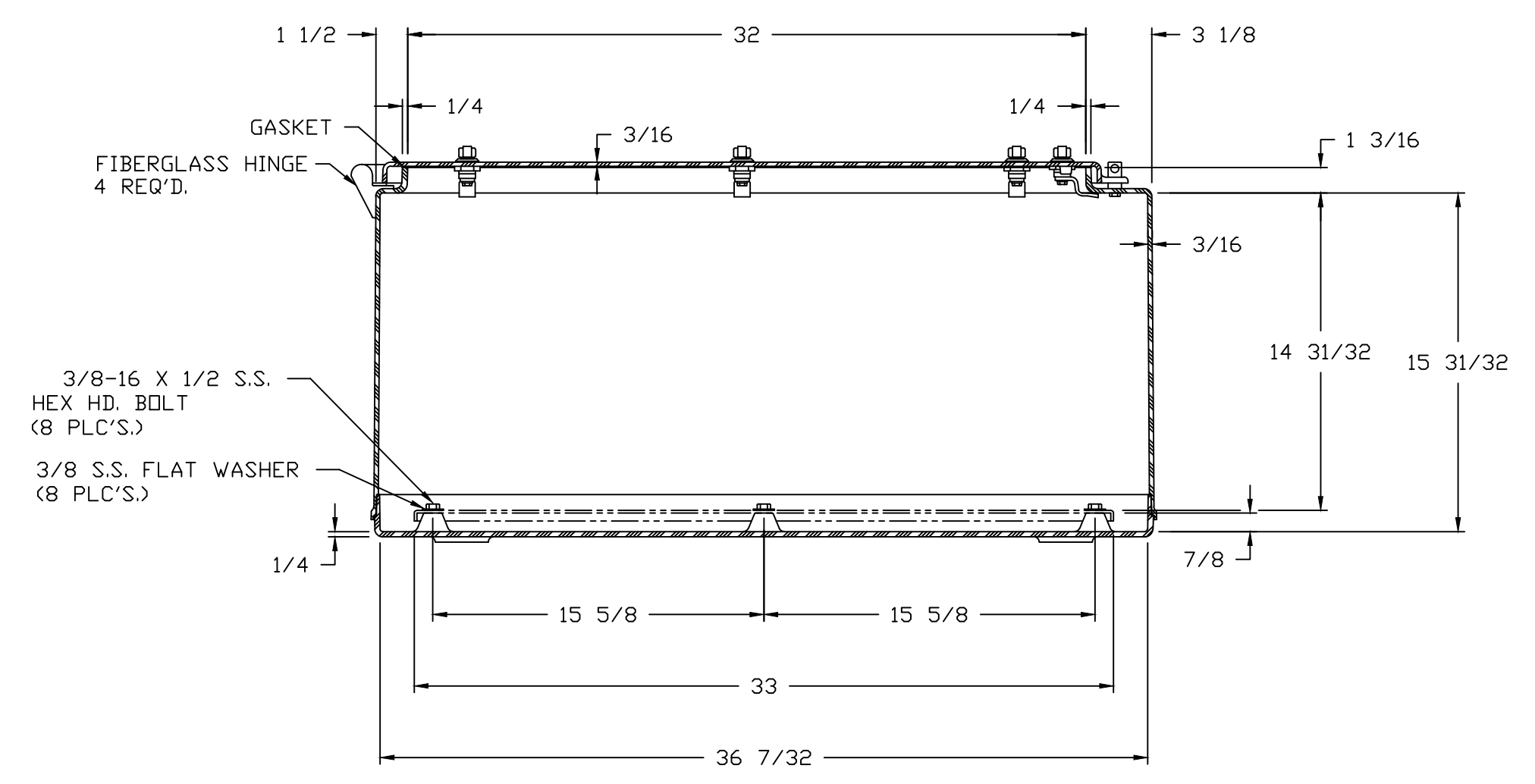
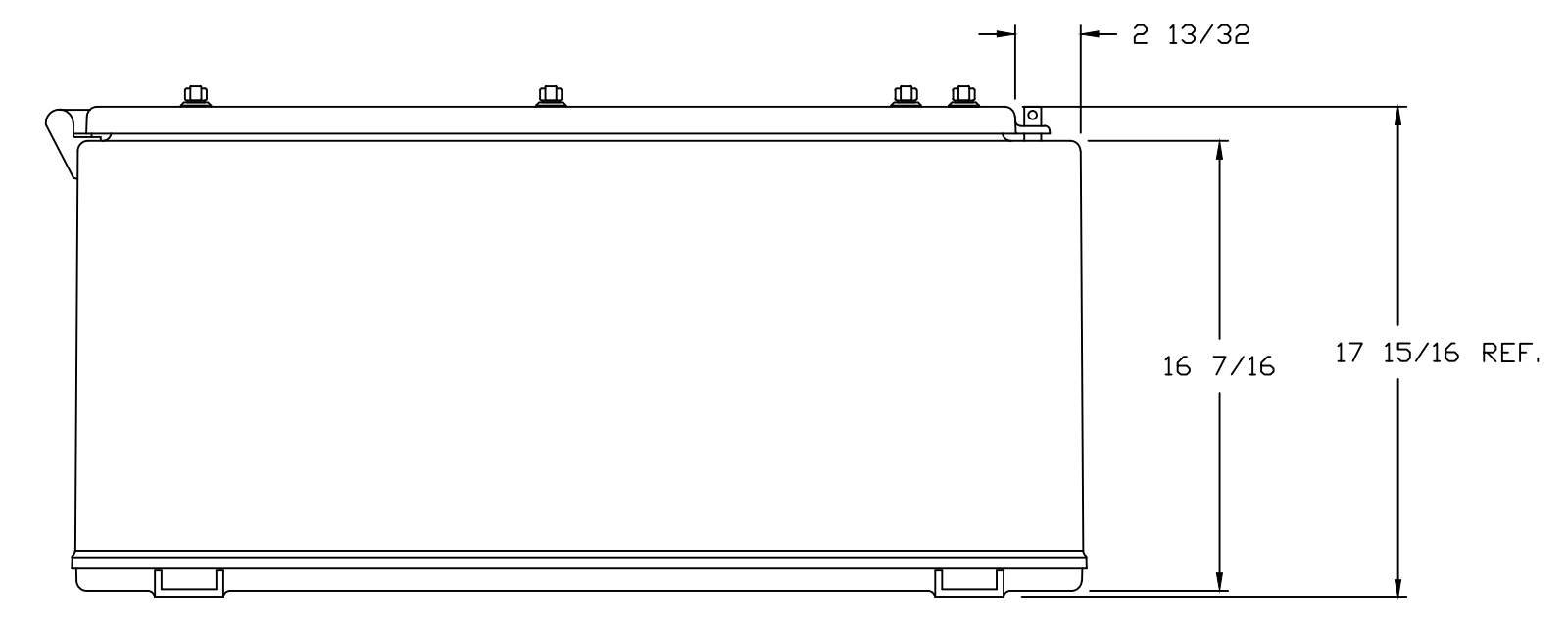



SECTION B-B



SECTION A-A

NOTES:						COLOR: GLACIER GRAY RR1013		TOLERANCES UNLESS SPECIFIED		DECIMAL ± .010	FRACTIONAL ± 1/32
						NEMA 4X					
MATERIAL						DR. BY	DATE	 <b>STAHLIN ENCLOSURES</b> DIVISION OF ROBOBY INDUSTRIES			
F.R. POLYESTER FIBERGLASS						GF	10/20/95				
LET.	REVISION RECORD			DATE	BY	CHD.	CHK. BY	DATE	CUSTOMER		AutoCAD DWG. FILE
											N483616FHLWT
						APD. BY	DATE	SCALE		PART NAME	PART NO.
								DO NOT SCALE		ENCLOSURE	N483616FHLWT