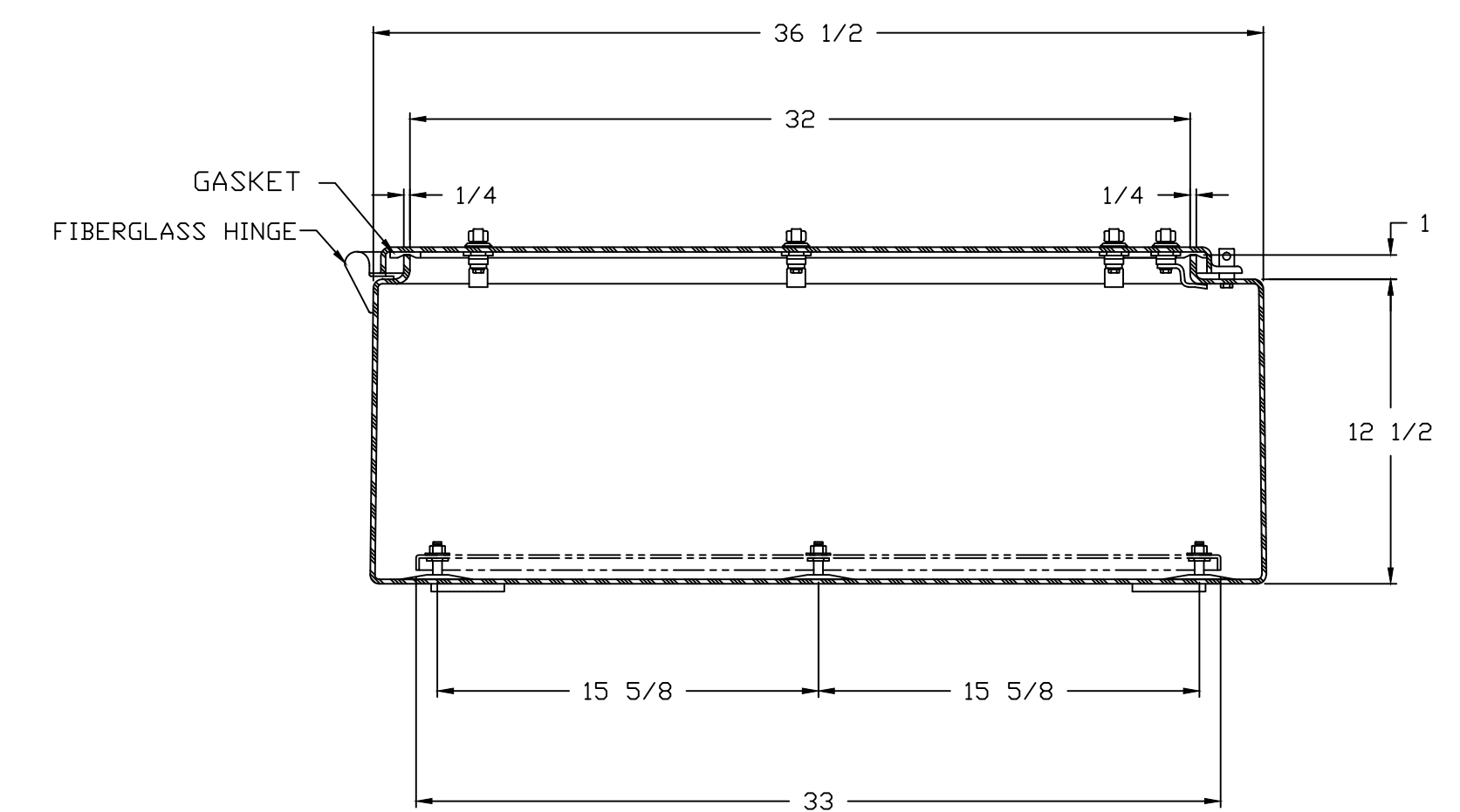
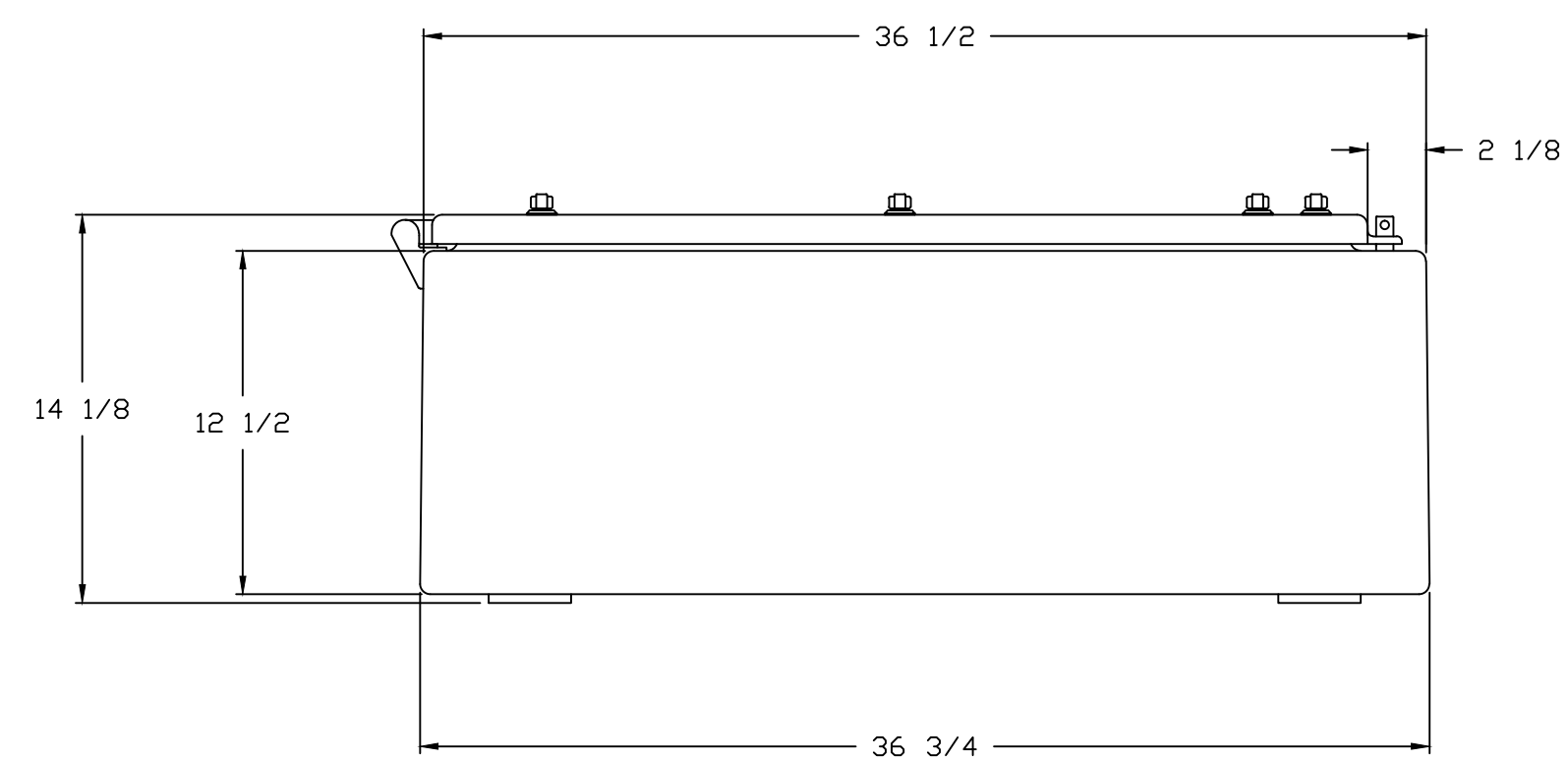


SECTION B-B



SECTION A-A

NOTES:										
INTERIOR & EXTERIOR COLOR: GLACIER GRAY								TOLERANCES UNLESS SPECIFIED	DECIMAL ±	FRACTIONAL ± 1/8
NEMA 4X WALL THICKNESS 3/16 EXCEPT WHERE NOTED										
MATERIAL		DR. BY		DATE		GF		2/19/99		
F.R. POLYESTER FIBERGLASS		CHK. BY		DATE		GF		DATE		
LET.	REVISION RECORD			DATE	BY	CHD.	APD. BY	DATE	CUSTOMER	
SCALE								PART NAME		
DO NOT SCALE								ENCLOSURE		
								PART NO.		
								N603612FHLWT		

STAHLIN
ENCLOSURES
DIVISION OF ROBROY INDUSTRIES

BELDING, MICHIGAN 48809

AutoCAD DWG FILE
N603612FHLWT