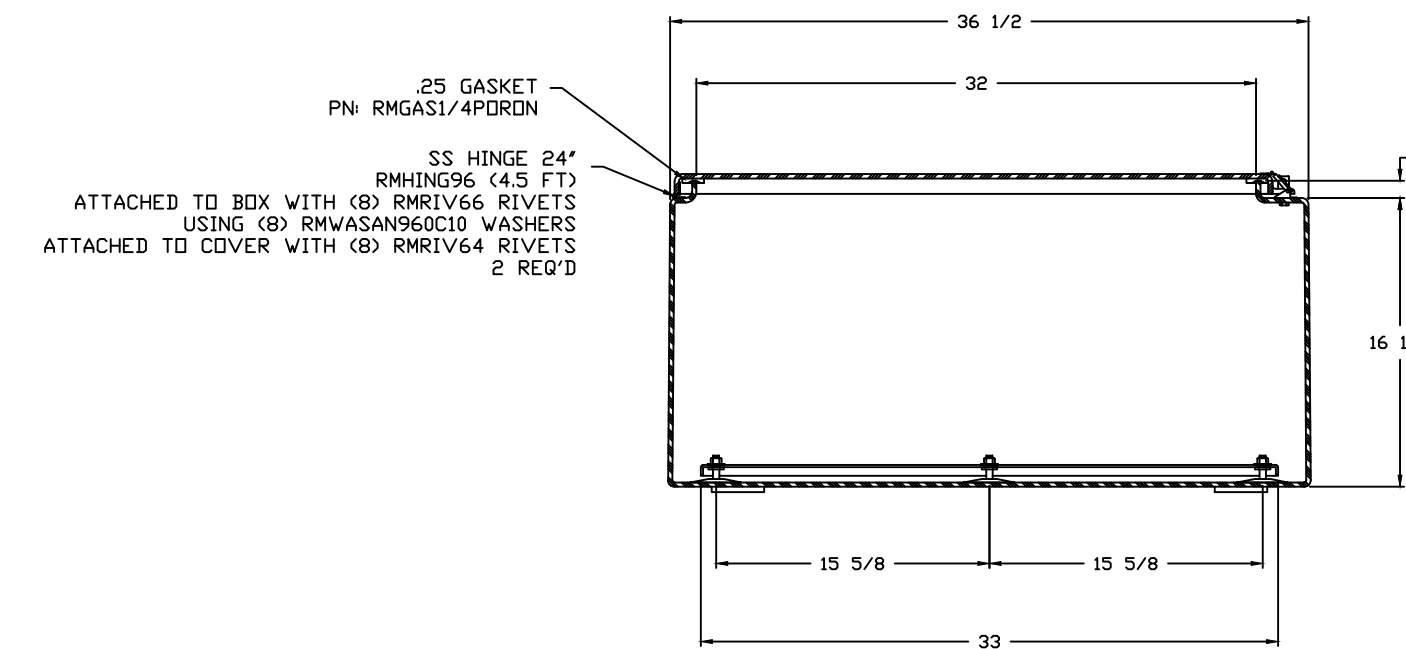
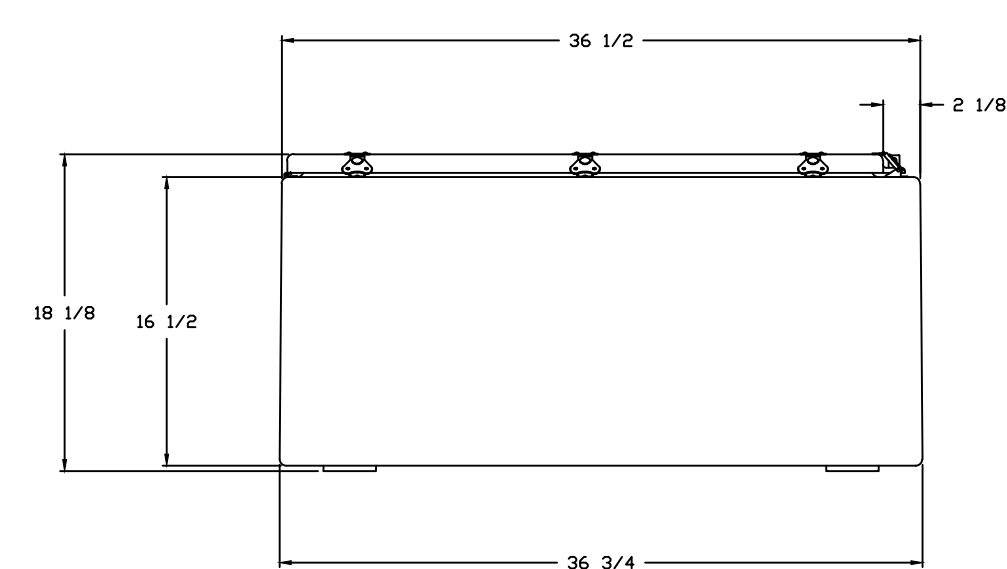


SECTION B-B



SECTION A-A

SPECIAL REQUIREMENTS

ASSEMBLY
 1. ALL RIVET HOLES FOR LATCH, KEEPER, AND HINGE APPLY SILICONE IN THRU HOLE AND ON TOP OF RIVETS.
 2. TYP WALL THICKNESS: 0.250

NOTES: COLOR: GLACIER GRAY (RR3013)		TOLERANCES: DECIMAL: ± 1/8	
WALL THICKNESS 1/4		FRACTIONAL: ± 1/8	
MATERIAL: F.R. POLYESTER FIBERGLASS	DR. BY: GF	DATE: 2/19/99	 BELDING, MICHIGAN 48809
REVISION RECORD	BY: CHD	DATE:	
A WALL THICKNESS 3/16 TO 1/4 5/31/2013 AK	APP. BY:	DATE:	CUSTOMER:
SCALE: 30 NOT SCALE		PART NAME: ENCLOSURE	PART NO: N603616HVT