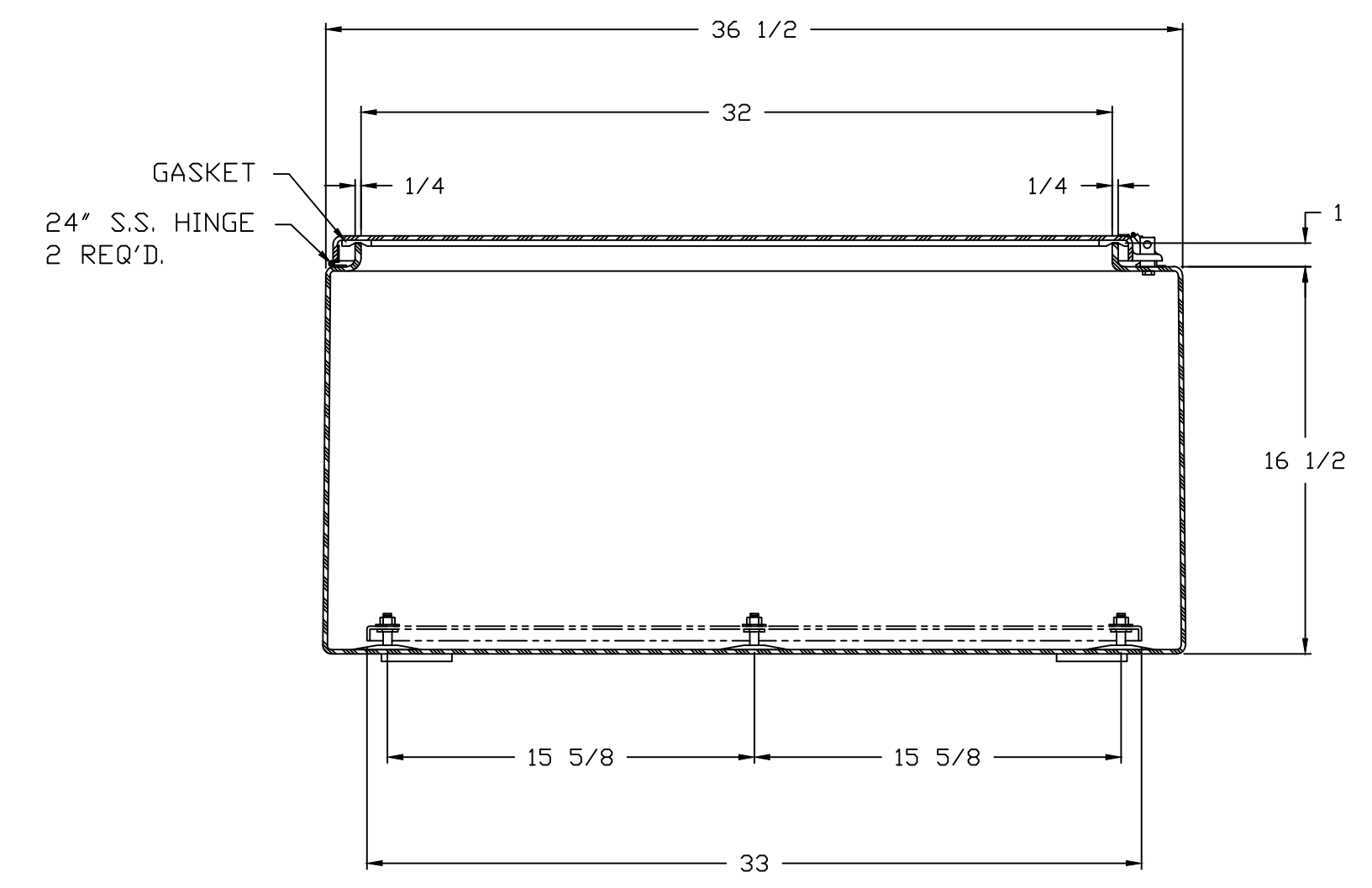
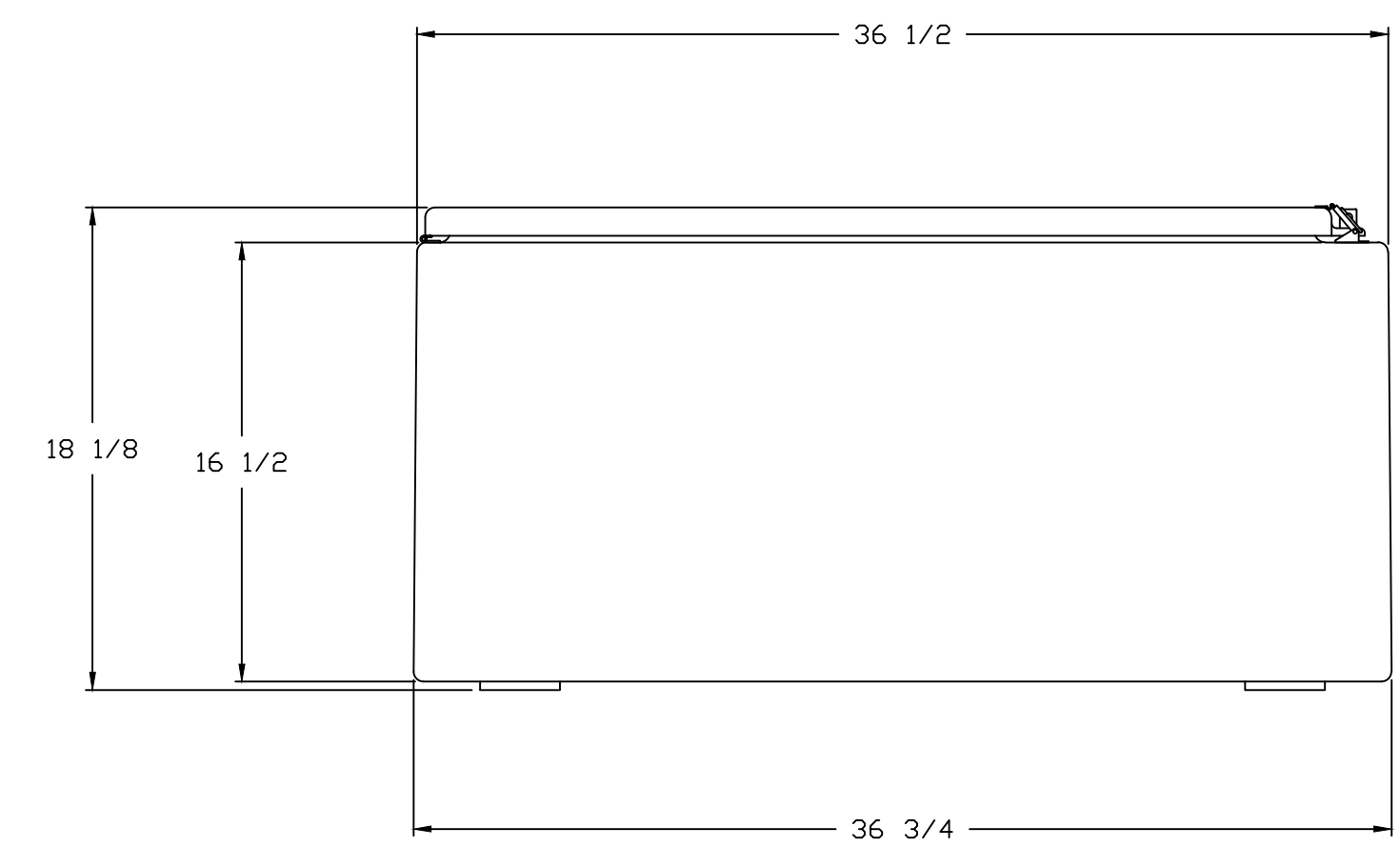



SECTION B-B



SECTION A-A

NOTES:

INTERIOR & EXTERIOR COLOR: GLACIER GRAY				TOLERANCES UNLESS SPECIFIED		DECIMAL ±	FRACTIONAL ± 1/8
NEMA 3 WALL THICKNESS 3/16 EXCEPT WHERE NOTED				DR. BY GF	DATE 2/19/99	 BELDING, MICHIGAN 48809	
MATERIAL: F.R. POLYESTER FIBERGLASS				CHK. BY	DATE		
LET.	REVISION RECORD	DATE	BY	CHD.	APD. BY	DATE	CUSTOMER
							AutoCAD DWG. FILE N603616RT
SCALE: DO NOT SCALE				PART NAME: ENCLOSURE		PART NO.: N603616RT	