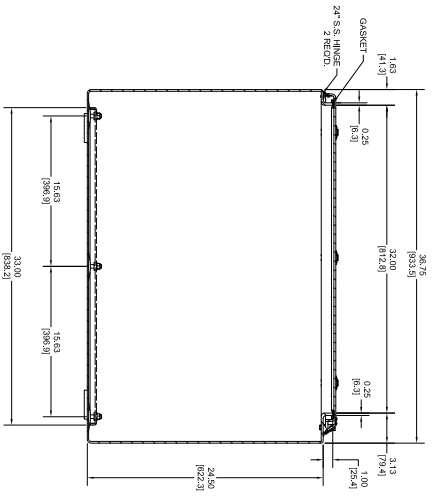
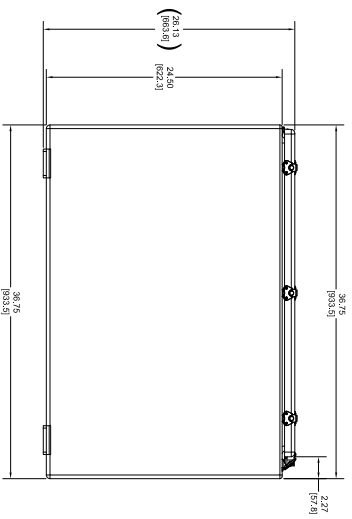


**SECTION B-B**



**SECTION A-A**



NOTES: UL136A TYPE 1, 3, SR, 4X, 12  
 COLOR: GARDER GRAY R9013

MATERIAL	DATE	BY	CHKD	DATE	BY	CHKD
F.P. POLYESTER FIBERGLASS						
INSTRON RECORD						

SCALE: DO NOT SCALE

DESIGNED BY	DATE	ENCL. NO.	REV.
DRN BY	09/20/08		
CHK BY			
APP BY			

STAHLIN ENCLOSURES

ENCLOSURE

PART NO: N803924HW1

TO: ENGINEERS

UNLESS SPECIFIED

XXX . 2 . 0.030 (2.0)

XXX . 1 . 0.010 (0.25)

BELTING: AMERICAN

4809

SHT 1 OF 2