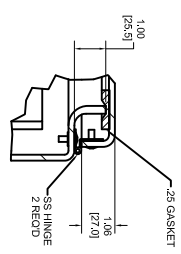
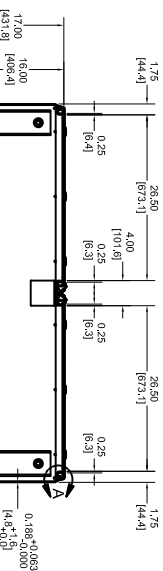
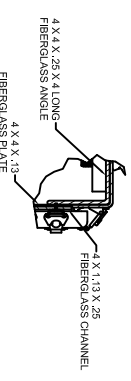
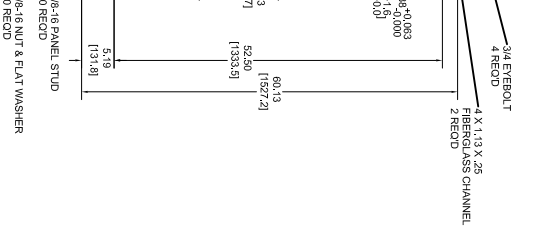
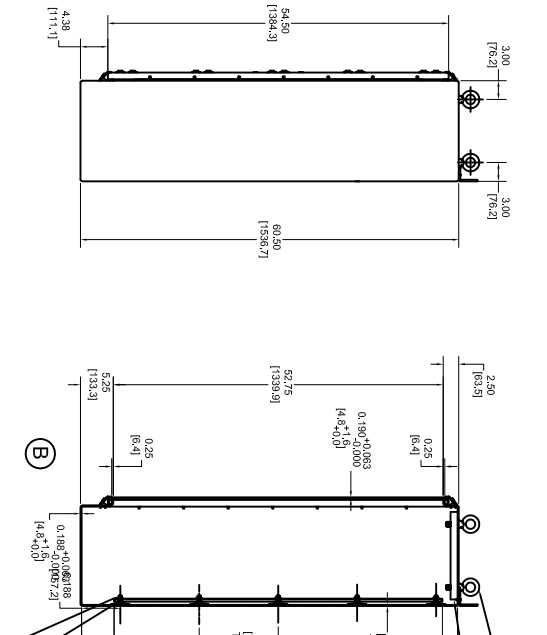
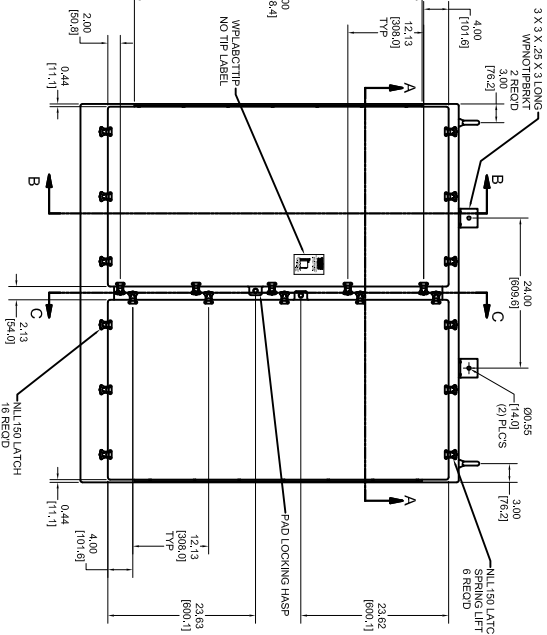


ITEM	QTY	PART NUMBER	DESCRIPTION	ITEM	QTY	PART NUMBER	DESCRIPTION
1	10 EA	RMCNTN2X28	2X2X8 BOARD	17	18 EA	RMRVBR	BASE HINGE RIVET
2	5 EA	RMCTN98X48	4X8 SHEET OSB	18	2 EA	RMSW14.20X12PHCS	SCREW FOR HASP PIN
3	28 FT	RMGAS14PFRON	GASKET	19	44 EA	RMSW38X18X08Z	LATCH WASHER
4	2 EA	RHMSPNSNG	HASP PIN	20	1 EA	WPLABRTTIP	NO TIP LABEL
5	4 EA	RHMSP88	9/8 STEEL HINGE	21	2 EA	RHMLT150	NO TIP LOCKET RIVET
6	1 EA	RHMSW150MT	150MM SWING INSULATIONS	22	20 EA	RMSW38	BACK PANEL RIVET
7	22 EA	RMSW150MT	UL LABEL	23	20 EA	RMSW38	BACK PANEL LOCK WASHER
8	1 EA	RMLAB808	LONGSIDE / BOTTOM LATCH	24	20 EA	RMSW38	BACK PANEL LOCK WASHER
9	18 EA	RMLATNLL150	TOP SPRING LOADED LATCH	25	18 EA	RMSW38	HINGE WASHER
10	6 EA	RMLATNLL150H SPEC	FIBERGLASS COVER	26	0.1660 SF	RMBGL14X48X08	FIBERGLASS SHEET STOCK
11	1 EA	WRN0800COVR	FIBERGLASS COVER	27	6.70 FT	RMBGL14X4X1.18C	FIBERGLASS CHANNEL
12	2 EA	RMRV128-16	3/8-16 NUT	28	0.330 FT	RMBRL14X4X1	FIBERGLASS ANGLE
13	2 EA	RMRV128-16	3/8-16 NUT	29	4 EA	RMRV128-16	3/8-16 NUT
14	44 EA	RMSW38	LATCH RIVET	30	4 EA	RMRV128-16	3/8-16 NUT
15	44 EA	RMSW38	LATCH RIVET	31	20 EA	RMRV128-16	3/8-16 NUT
16	18 EA	RMSW38	COVER HINGE RIVET	32	4 EA	RMSW38	ALUMINUM STUD



DETAIL B
SCALE 1/4

SECTION A-A

DETAIL A
SCALE 1/2

SECTION B-B

SECTION C-C

NO.	REV	DATE	BY	CHK	DESCRIPTION
1	A	10/20/06
2	B	11/11/11

STAHLIN ENCLOSURES
 BUILDING MACHINEN
 48889
 PART NUMBER: M96916SDDHW/T
 ENCLASURE