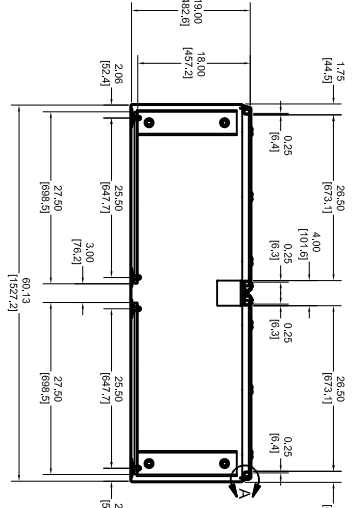


DETAIL A  
SCALE 1/2

DETAIL B  
SCALE 1/4



SECTION A-A

NOTES		REVISED		DATE		BY		DATE	
UL TYPE AX IEC PWS WALL TRK 316		EXTENSION	REVISION	DATE	BY	DATE	BY	DATE	BY
EXTENSION & INTERIOR GLASSER GRAY									
SCALE 1/10		CUSTOMER		DATE		DATE		DATE	
PART NAME ENCLOSURE		CUSTOMER		DATE		DATE		DATE	
PART NO. N969119SDHW1		CUSTOMER		DATE		DATE		DATE	
DRAWN BY		CHECKED BY		DATE		DATE		DATE	
DESIGNED BY		CHECKED BY		DATE		DATE		DATE	
SCALE		CUSTOMER		DATE		DATE		DATE	
SCALE 1/10		CUSTOMER		DATE		DATE		DATE	

**STAHLIN**  
 ENCLOSURES  
 BELDING, MICHIGAN 48809  
 TEL: 519.241.1111  
 FAX: 519.241.1112  
 WWW.STAHLIN.COM