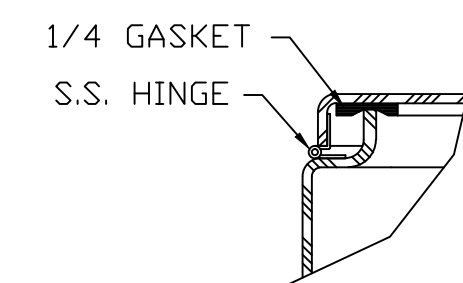
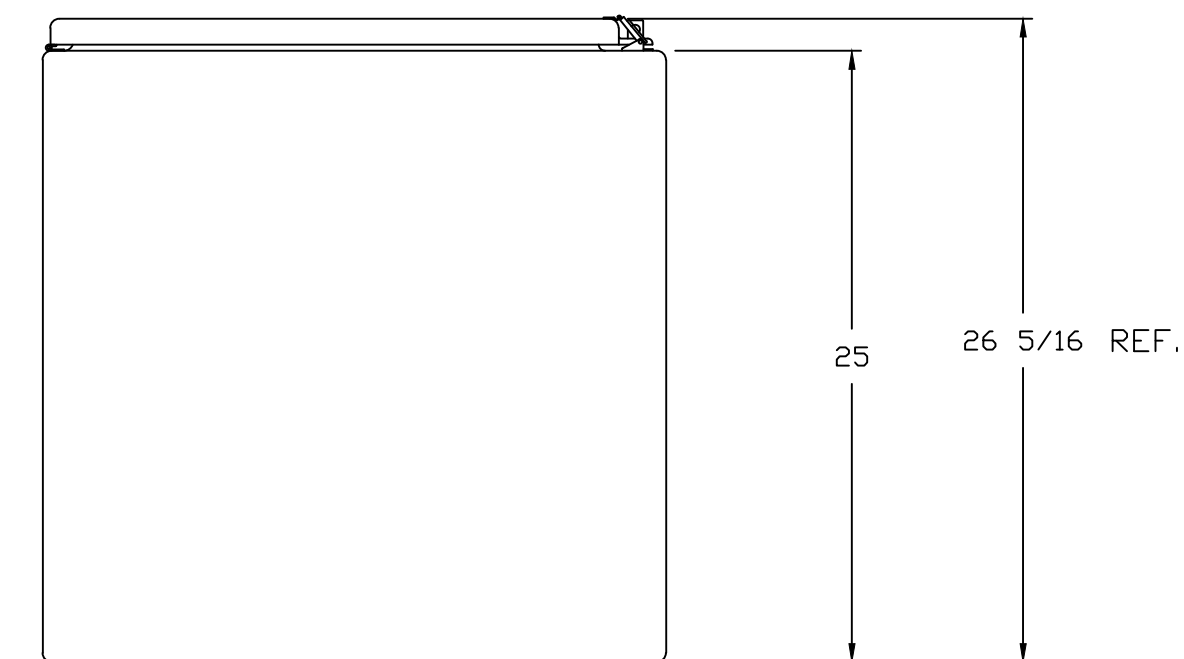
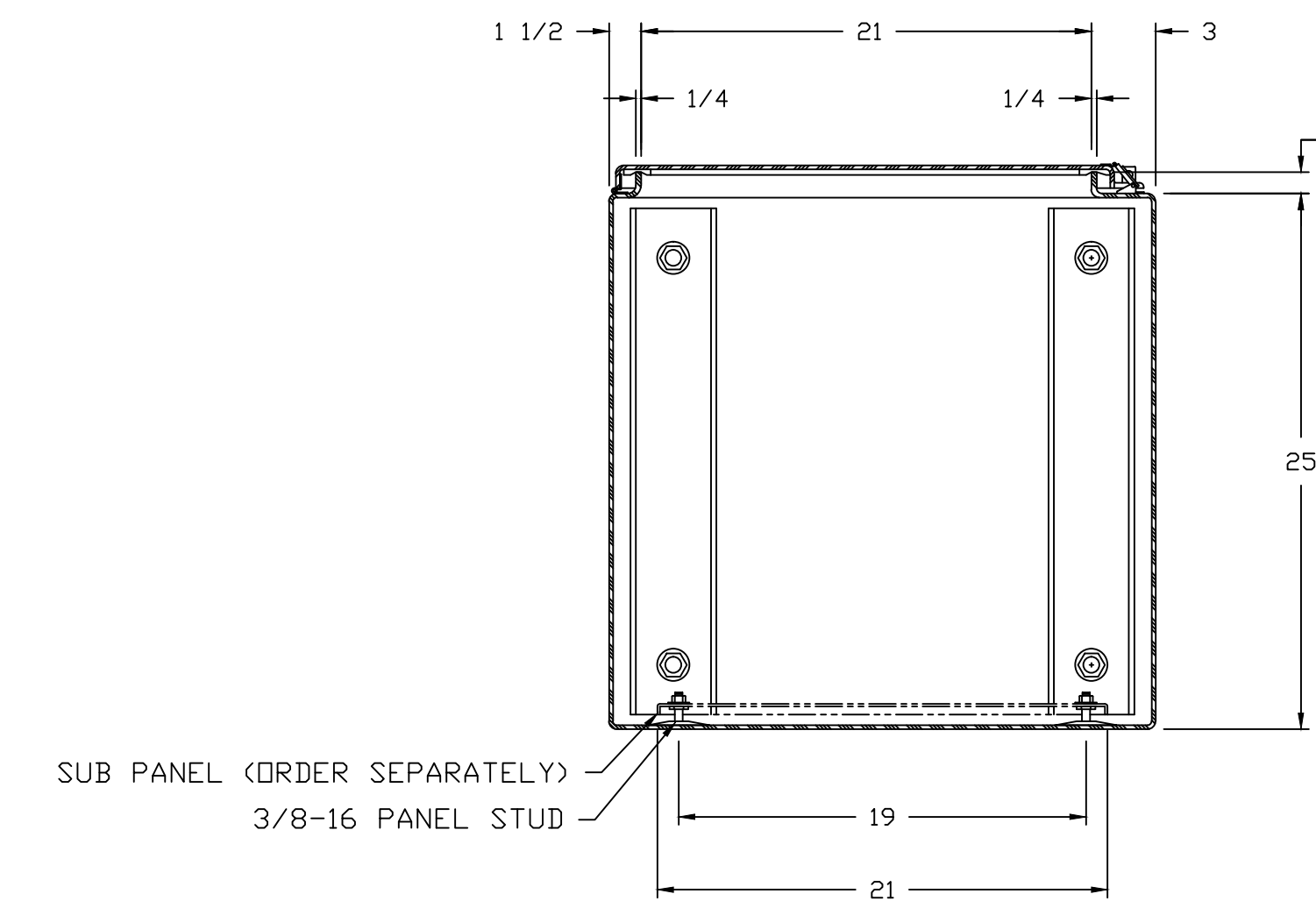


SECTION B-B



DETAIL A



SECTION A-A

NOTES:										
EXTERIOR & INTERIOR COLOR: GLACIER GRAY								TOLERANCES UNLESS SPECIFIED	DECIMAL ±	FRACTIONAL ± 1/8
NEMA 12 WALL THK. 1/4										
MATERIAL	DR. BY	DATE	GF	10/17/88	STAHLIN ENCLOSURES		BELDING, MICHIGAN 48809			
F.R. POLYESTER FIBERGLASS	CHK. BY	DATE			DIVISION OF ROBOBY INDUSTRIES		AutoCAD DWG. FILE N722525FS			
LET.	REVISION RECORD	DATE	BY	CHD.	APD. BY	DATE	CUSTOMER			
								SCALE	PART NAME	
								DO NOT SCALE	ENCLOSURE	
								PART NO.	N722525FS	