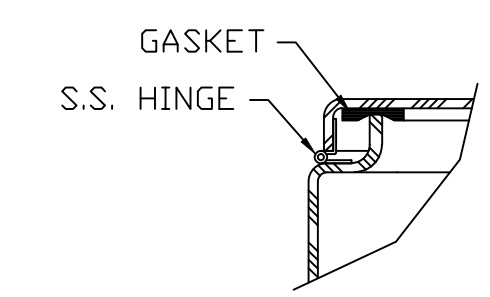
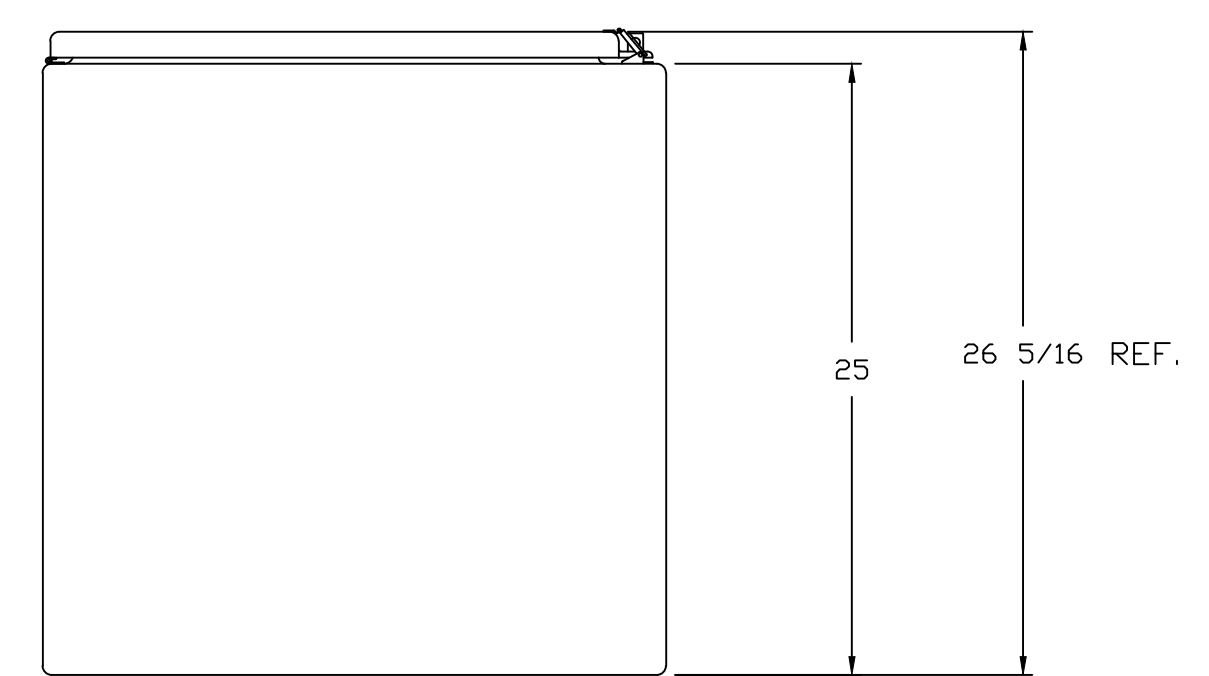
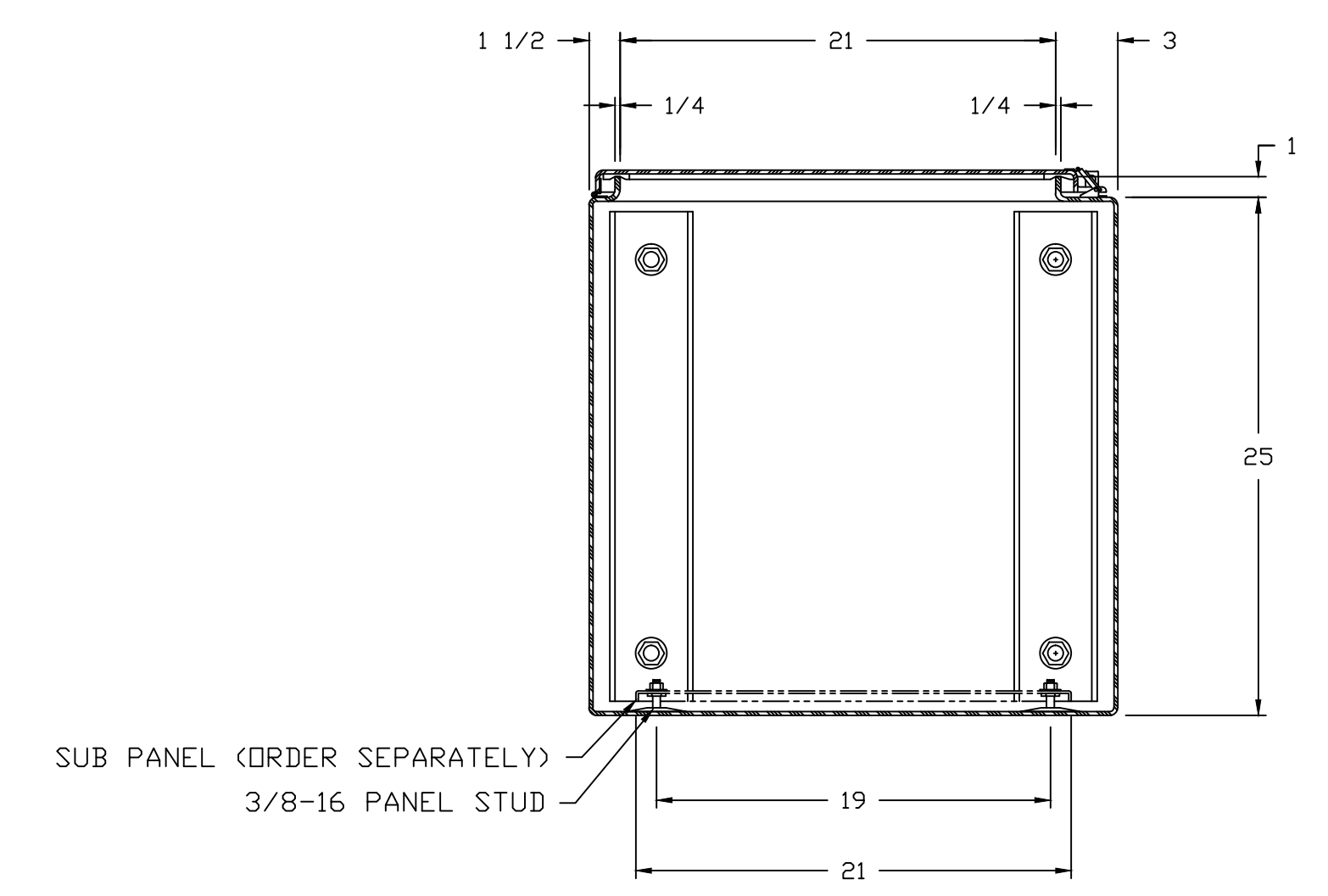


SECTION B-B



DETAIL A



SECTION A-A

| NOTES: | | | | | | | | | | |
|---|-----------------|---------------------|--|------|----------------------|------|-------------------------|-----------------------------|-------------------|------------------|
| EXTERIOR & INTERIOR COLOR: GLACIER GRAY | | | | | | | | TOLERANCES UNLESS SPECIFIED | DECIMAL ± | FRACTIONAL ± 1/8 |
| NEMA 3 WALL THK. 1/4 | | | | | | | | | | |
| MATERIAL | | DR. BY | | DATE | | GF | | 10/17/88 | | |
| F.R. POLYESTER FIBERGLASS | | CHK. BY | | DATE | | GF | | 10/17/88 | | |
| LET. | REVISION RECORD | | | DATE | BY | CHD. | APD. BY | DATE | CUSTOMER | |
| | | | | | | | | | AutoCAD DWG. FILE | |
| | | | | | | | | | N722525FSRT | |
| SCALE DO NOT SCALE | | PART NAME ENCLOSURE | | | PART NO. N722525FSRT | | BELDING, MICHIGAN 48809 | | | |