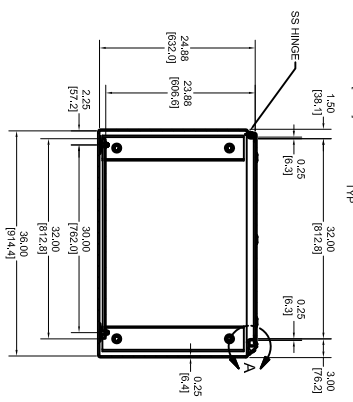
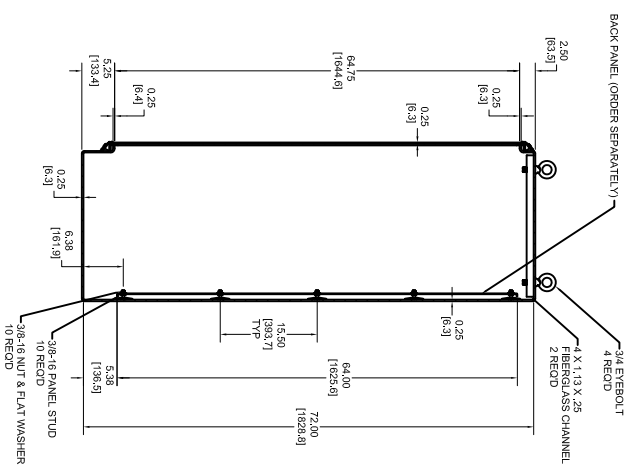


DETAIL A
SCALE 1/2



SECTION A-A



SECTION B-B

NOTES:
1. ALL DIMENSIONS ARE UNLESS SPECIFIED.
2. DIMENSIONS ARE IN MILLIMETERS UNLESS SPECIFIED.
3. DIMENSIONS ARE IN INCHES UNLESS SPECIFIED.
4. DIMENSIONS ARE IN MILLIMETERS UNLESS SPECIFIED.
5. DIMENSIONS ARE IN INCHES UNLESS SPECIFIED.

REV.	DATE	BY	CHKD.	APP.	SCALE	PART NAME	PART NO.
1					1/10	ENCLOSURE	M23624FSHW1

STAHLIN
 ENCLOSURES
 4809
 BELLEVUE, WASHINGTON