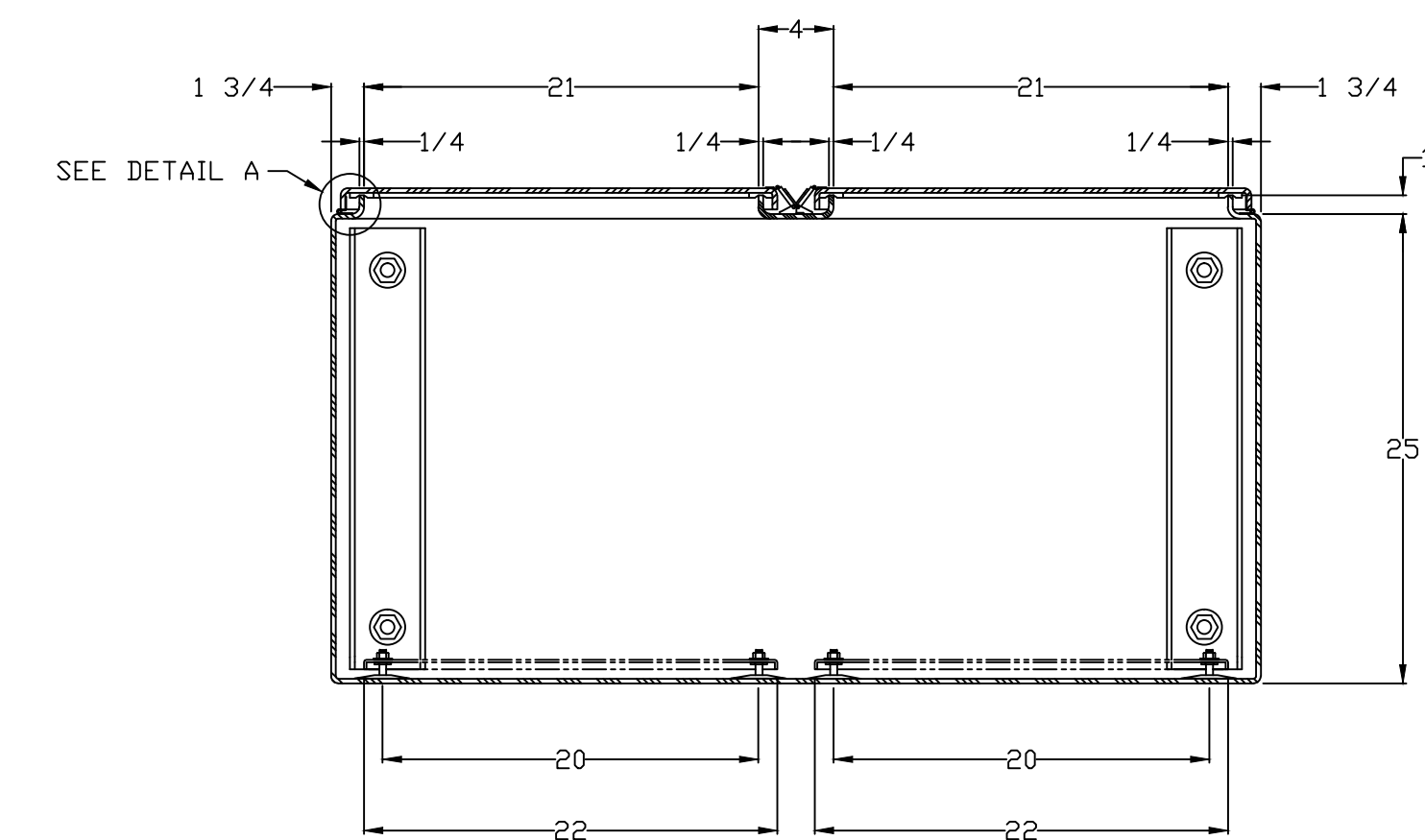
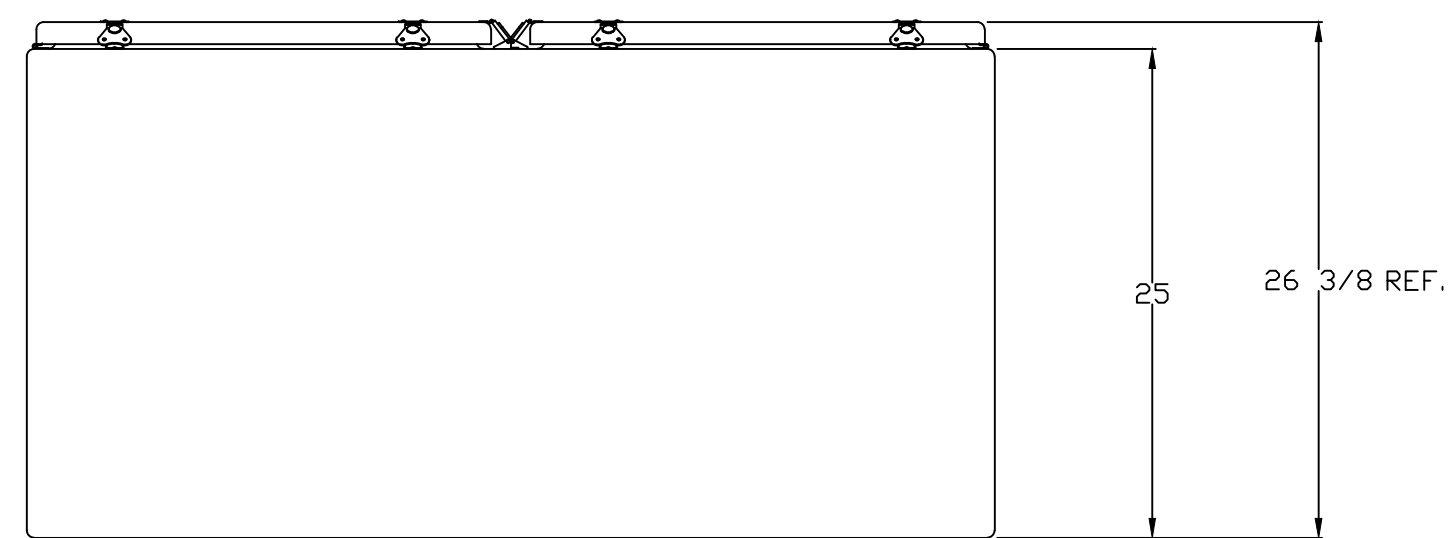
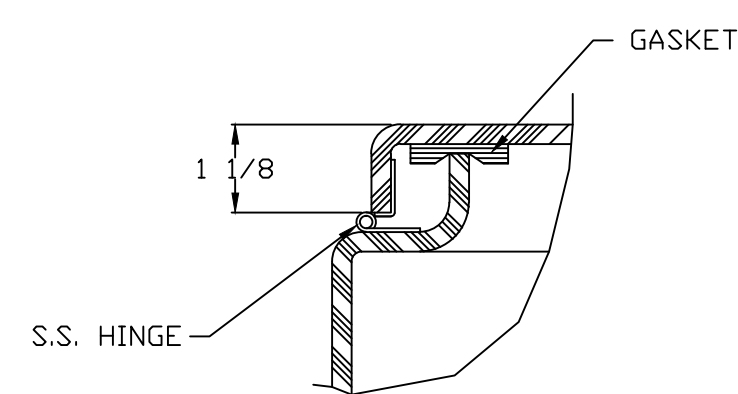



SECTION B-B



SECTION A-A



DETAIL A

NOTES:						TOLERANCES UNLESS SPECIFIED		DECIMAL ±	FRACTIONAL ± 1/8
NEMA 4X WALL THK. 1/4						EXTERIOR & INTERIOR GLACIER GRAY			
MATERIAL				DR. BY	DATE	 <b>STAHLIN ENCLOSURES</b> DIVISION OF ROBOBY INDUSTRIES			
F.R. POLYESTER FIBERGLASS				GF	10/31/88				
LET.	REVISION RECORD			DATE	BY	CHD.	CHK. BY	DATE	BELDING, MICHIGAN 48809
							APD. BY	DATE	CUSTOMER
							SCALE	DO NOT SCALE	PART NAME ENCLOSURE
									PART NO. N724925FSDDHWT

AutoCAD DWG. FILE N724925FSDDHWT