

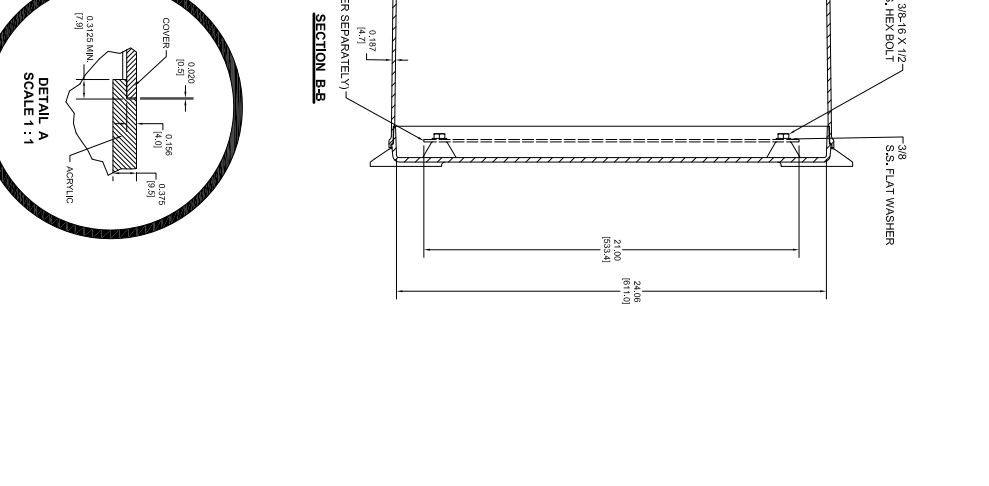
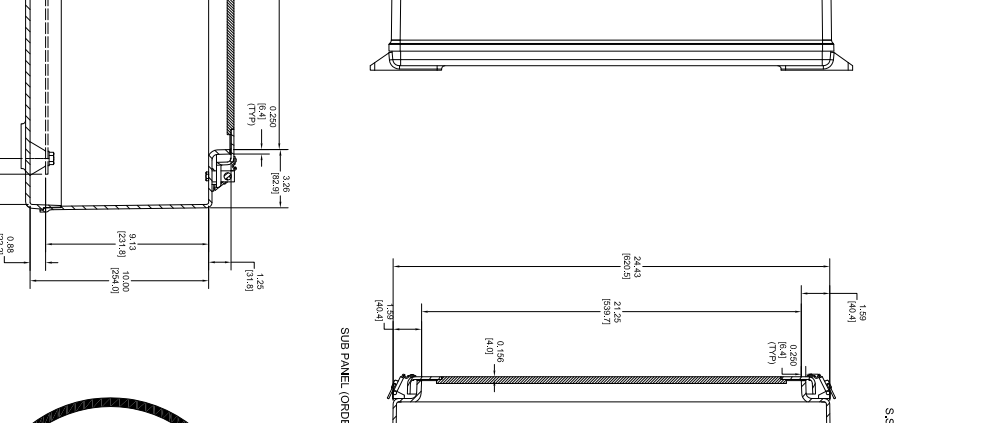
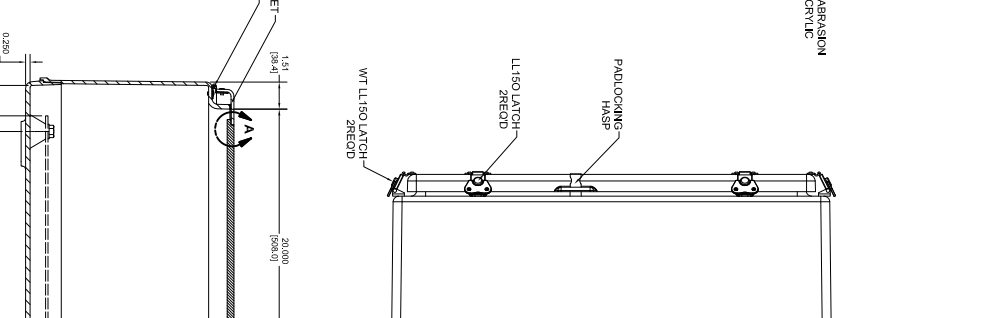
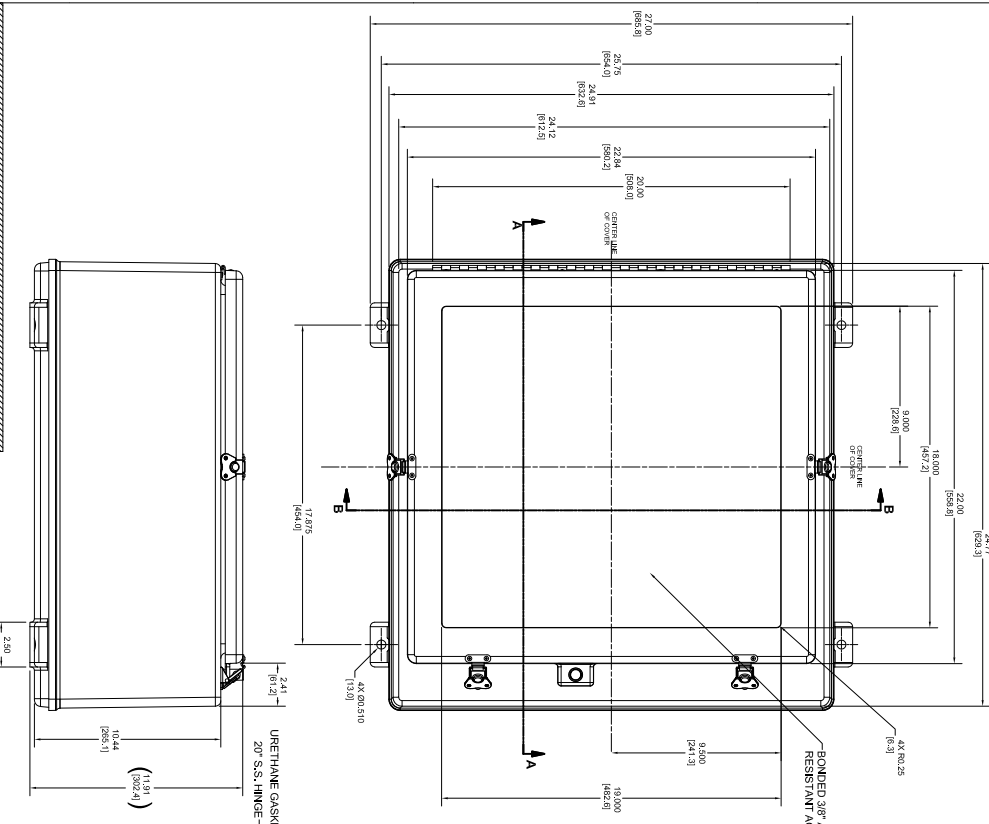
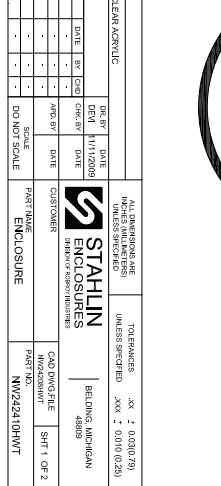
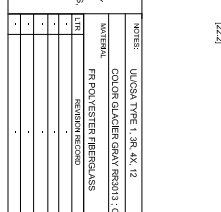
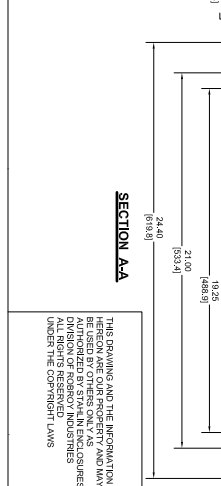
BONDED WINDOWS

1. ROUTE COVER FACE DOWN AND REMOVE THE TWO MOUNTING BOLTS WHEN REQUIRED.

2. ROUTE BOTH SURFACES BEFORE BONDING. MINIMUM OVERLAP BETWEEN THE WINDOW OPENING SIDES UP TO 1/4" (6.35) AND A MINIMUM 0.375" THICKNESS FOR OPENING SIDES. UNDERLAP BETWEEN WINDOW OPENING SIDES UP TO 1/4" (6.35) AND A MINIMUM 0.375" THICKNESS FOR OPENING SIDES. UNDERLAP BETWEEN WINDOW OPENING SIDES UP TO 1/4" (6.35) AND A MINIMUM 0.375" THICKNESS FOR OPENING SIDES. UNDERLAP BETWEEN WINDOW OPENING SIDES UP TO 1/4" (6.35) AND A MINIMUM 0.375" THICKNESS FOR OPENING SIDES.

3. ALL FILE #634586, VOL. 1, SPEC'DEN TYPE RATINGS 1, 3R, 4X, 12.

SPECIAL REQUIREMENTS



SECTION AAA

SECTION B/B

THE DRAWING AND THE INFORMATION HEREON ARE THE PROPERTY OF STAHLIN ENCLOSES. ALL RIGHTS RESERVED. ANY REPRODUCTION WITHOUT WRITTEN PERMISSION IS PROHIBITED.

NO.	REVISION	DATE	BY	CHK'D BY	SCALE	DO NOT SCALE
1	ISSUE	11/11/2008	DEC	CHK' BY		
2	REVISED		DEC	CHK' BY		
3	REVISED		DEC	CHK' BY		
4	REVISED		DEC	CHK' BY		
5	REVISED		DEC	CHK' BY		

ALL DIMENSIONS ARE UNLESS SPECIFIED .XXX ± 0.010 (0.25)

TOLERANCES

PART NO. ENCLOSES

ENCLOSURE

PART NO. WW24241BHW1

STAHLIN
ENCLOSURES

1000 WEST FAY AVENUE
ANN ARBOR, MI 48106

DATE: 11/11/2008

BY: DEC

CHK'D BY: [signature]

SCALE: [signature]

DO NOT SCALE: [signature]