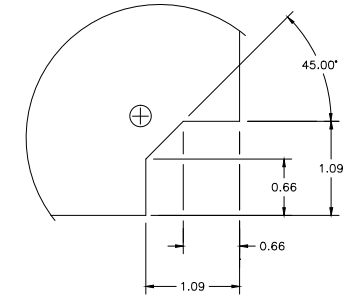
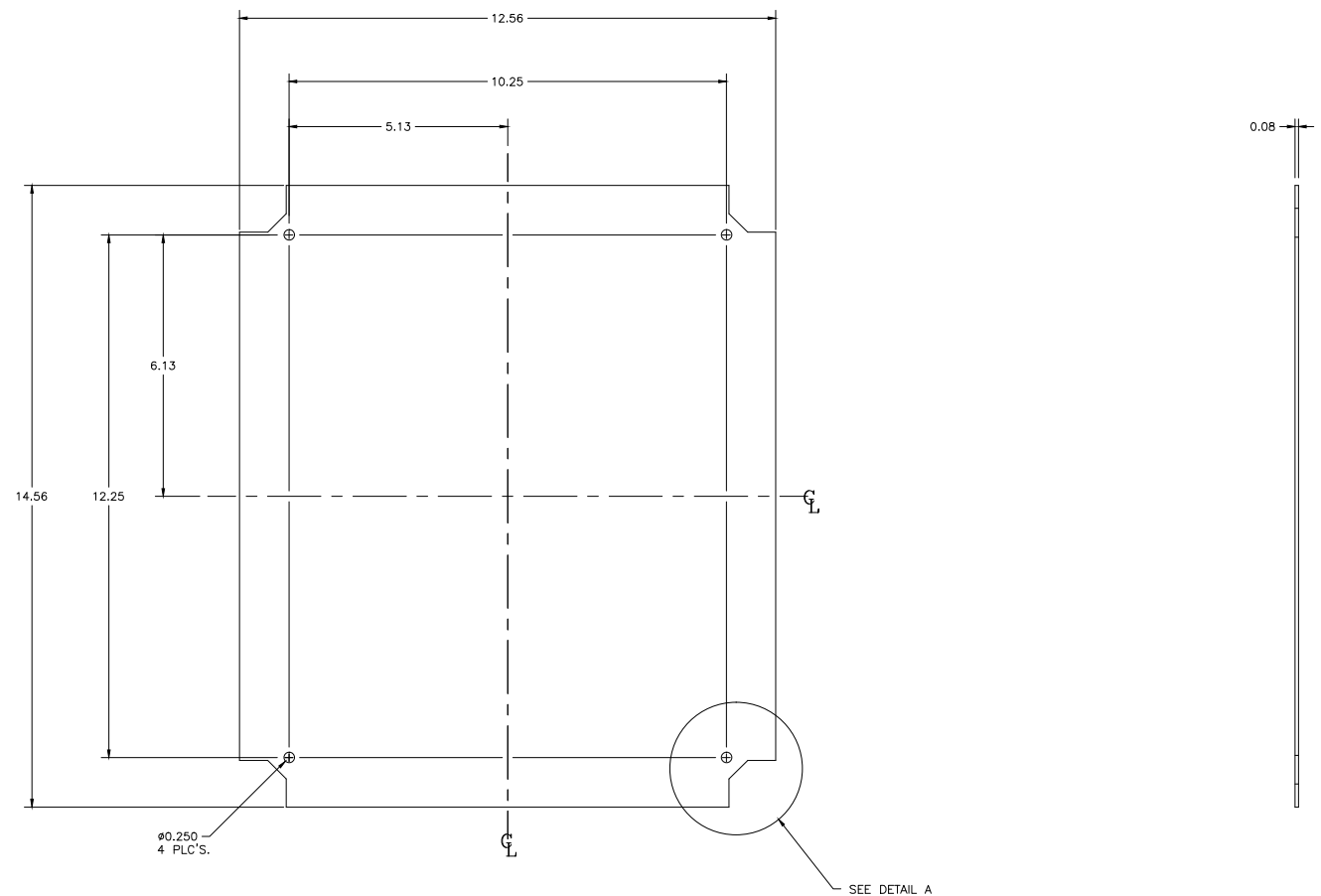


THE INFORMATION CONTAINED IN THIS DRAWING IS THE SOLE PROPERTY OF STAHLIN ENCLOSURES ANY REPRODUCTION IN PART OR WHOLE WITHOUT THE WRITTEN PERMISSION OF STAHLIN ENCLOSURES IS PROHIBITED.

REVISIONS			
REV.	DESCRIPTION	DATE	APPROVED



**DETAIL A**  
TYP. 4 PLC'S.

- NOTE:
1. PARTS TO BE FREE FROM BURRS & SHARP EDGES
  2. PANEL TO HAVE WHITE PVC ON ONE SIDE
  3. PANELS MUST BE FLAT

NOTES:				TOLERANCES UNLESS SPECIFIED		DECIMAL	ANGULAR
DO NOT SCALE DRAWING				.XXX ± 0.005		± 1/2°	
UNLESS SPECIFIED				.XX ± 0.010			
MATERIAL		DR. BY	DATE	STAHLIN ENCLOSURES			
ALUMINUM 3003 H14 MILL FINISH		GF	6-1-01	DIVISION OF ROBBY INDUSTRIES			
LET.	REVISION RECORD	DATE	BY	CHK. BY	DATE	BELDING, MICHIGAN 48809	
A	PART NUMBER WAS AT701412	1/25/02	GF	APD. BY	DATE	CUSTOMER	AutoCAD DWG. FILE P1412STAL
SCALE FULL		PART NAME STATIONARY PANEL		PART NO. FEP1412STAL			