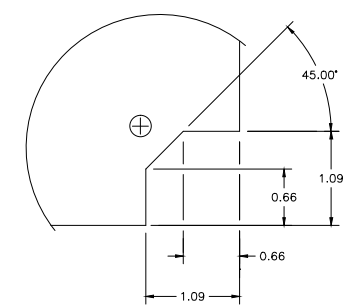
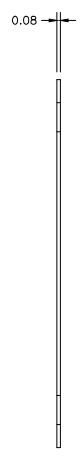
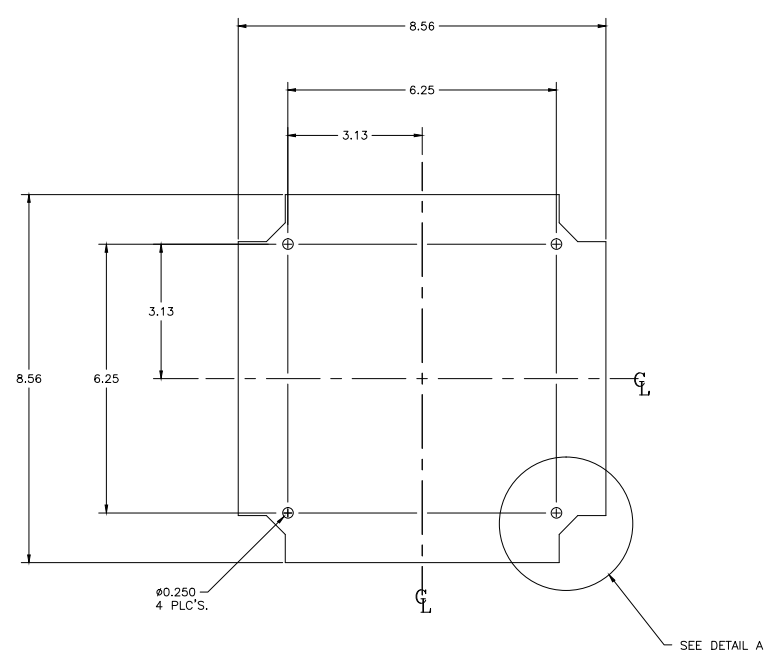


THE INFORMATION CONTAINED IN THIS DRAWING IS THE SOLE PROPERTY OF STAHLIN ENCLOSURES ANY REPRODUCTION IN PART OR WHOLE WITHOUT THE WRITTEN PERMISSION OF STAHLIN ENCLOSURES IS PROHIBITED.

REVISIONS			
REV.	DESCRIPTION	DATE	APPROVED



DETAIL A
TYP. 4 PLC'S.

- NOTE:
1. PARTS TO BE FREE FROM BURRS & SHARP EDGES
 2. PANEL TO HAVE WHITE PVC ON ONE SIDE
 3. PANELS MUST BE FLAT

NOTES:				TOLERANCES UNLESS SPECIFIED		DECIMAL	ANGULAR
DO NOT SCALE DRAWING						.XXX ± 0.005	± 1/2°
						.XX ± 0.010	
MATERIAL		DR. BY	DATE	STAHLIN ENCLOSURES		BELDING, MICHIGAN 48809	
ALUMINUM 3003 H14 MILL FINISH		GF	6-1-01	DIVISION OF ROBBY INDUSTRIES		AutoCAD DWG. FILE P808STAL	
LET.	REVISION RECORD	DATE	BY	CHK. BY	DATE	CUSTOMER	
A	PART NUMBER WAS AT70808	1/24/02	GF			PART NAME STATIONARY PANEL PART NO. FEP808STAL	
				SCALE FULL			