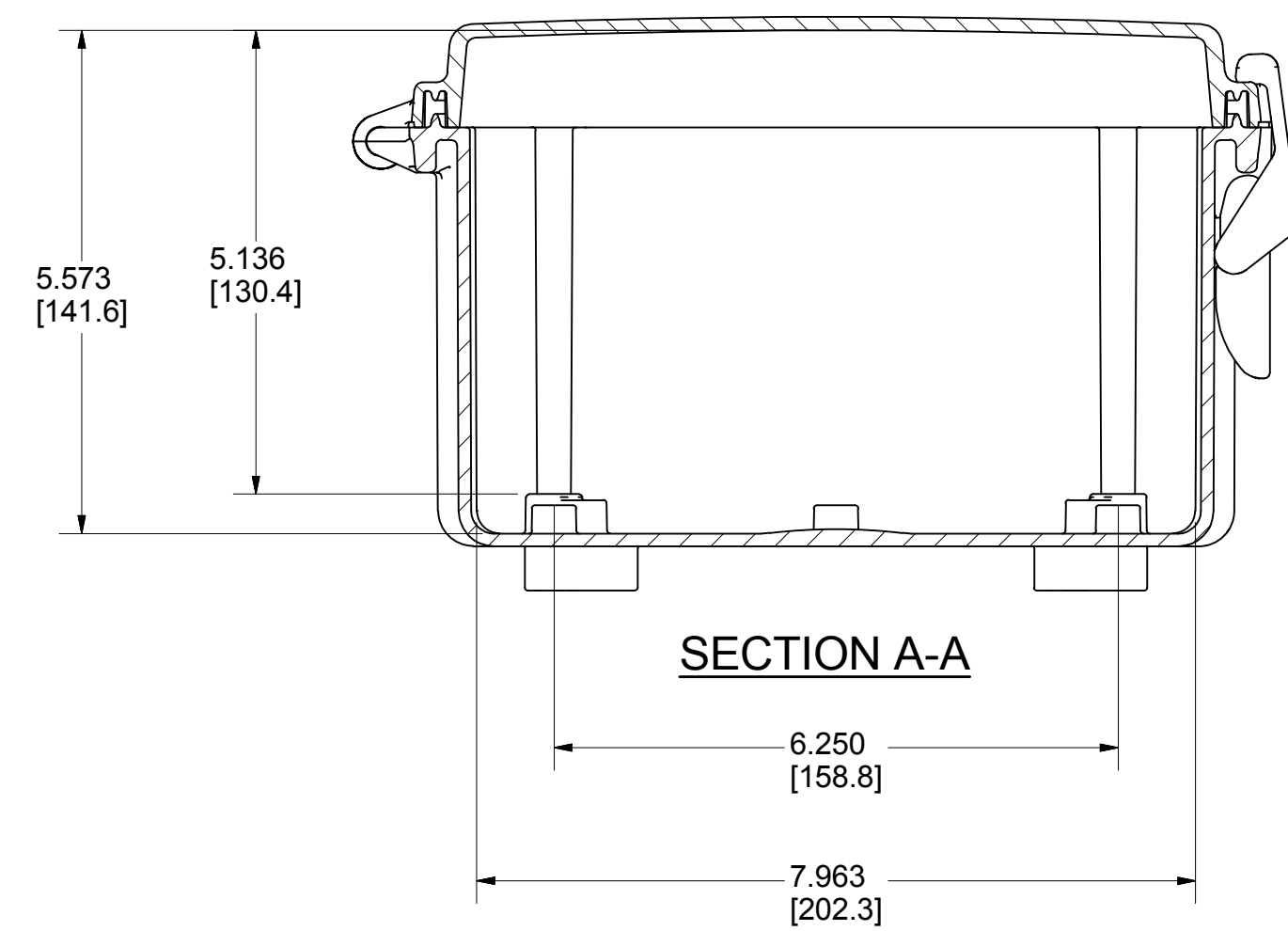


SECTION B-B



SECTION A-A


Items to be packaged inside enclosure:

- PN: PCACCESSORYKIT
- Mounting feet with screws
- (4) S.S. cover screws
- (1) PC Hinge Plug
- (4) PC screw hole plugs

- Back Panel screw pack (individually packaged)
- (4) 10-32 X 3/8 S.S. Back panel screws
- (4) S.S. AN960C10L Washers

Installation Instruction Sheet PN: RMINSTGPC

THIS DRAWING AND THE INFORMATION HEREON ARE OUR PROPERTY AND MAY BE USED BY OTHERS ONLY AS AUTHORIZED BY STAHLIN ENCLOSURES, DIVISION OF ROBROY INDUSTRIES. ALL RIGHTS RESERVED UNDER THE COPYRIGHT LAWS.

NOTES:		UL TYPE		ALL DIMENSIONS ARE INCHES (MILLIMETERS) UNLESS SPECIFIED		TOLERANCES UNLESS SPECIFIED .XX ± 0.03 (0.79) .XXX ± 0.010 (0.250)	
MATERIAL		MATERIAL		DR. BY	DATE	 STAHLIN ENCLOSURES <small>DIVISION OF ROBROY INDUSTRIES</small>	
LET.	REVISION RECORD	DATE	BY	CHD.	CHK. BY		
				APD. BY	DATE	CUSTOMER	
				SCALE		PART NAME	PART NO.
							PC1008_VERTICAL

BELDING, MICHIGAN 48809