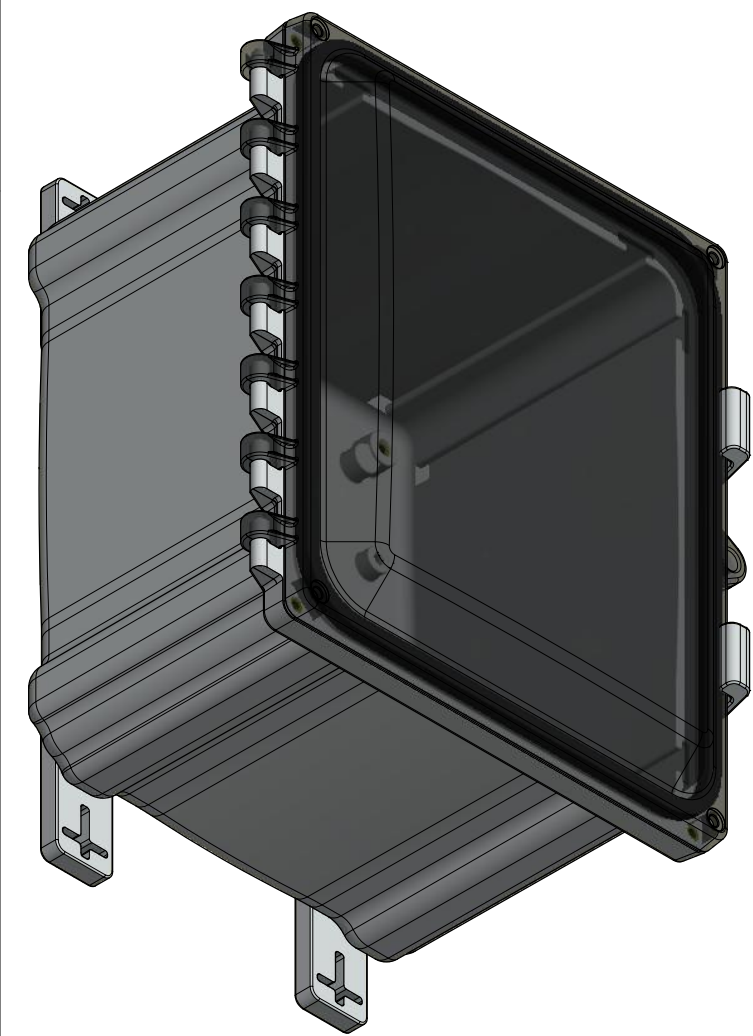
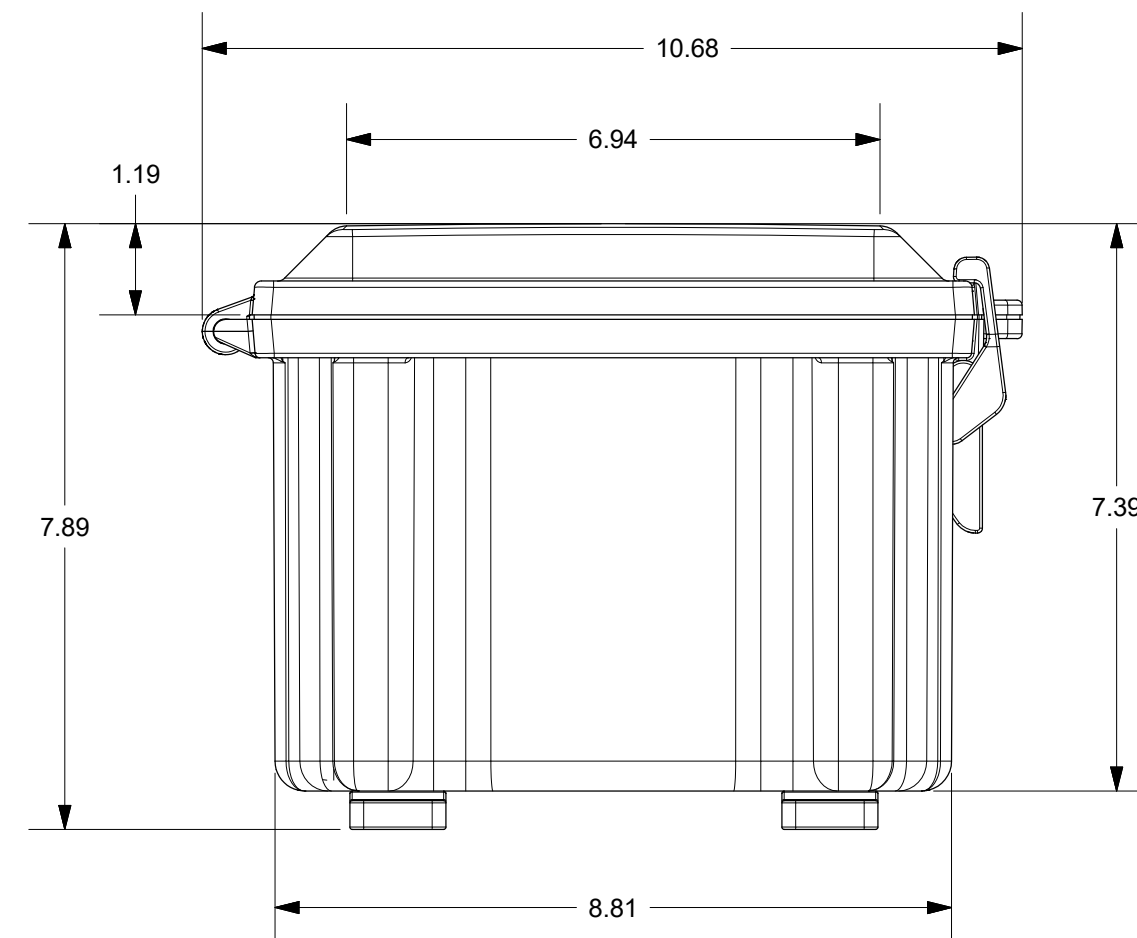
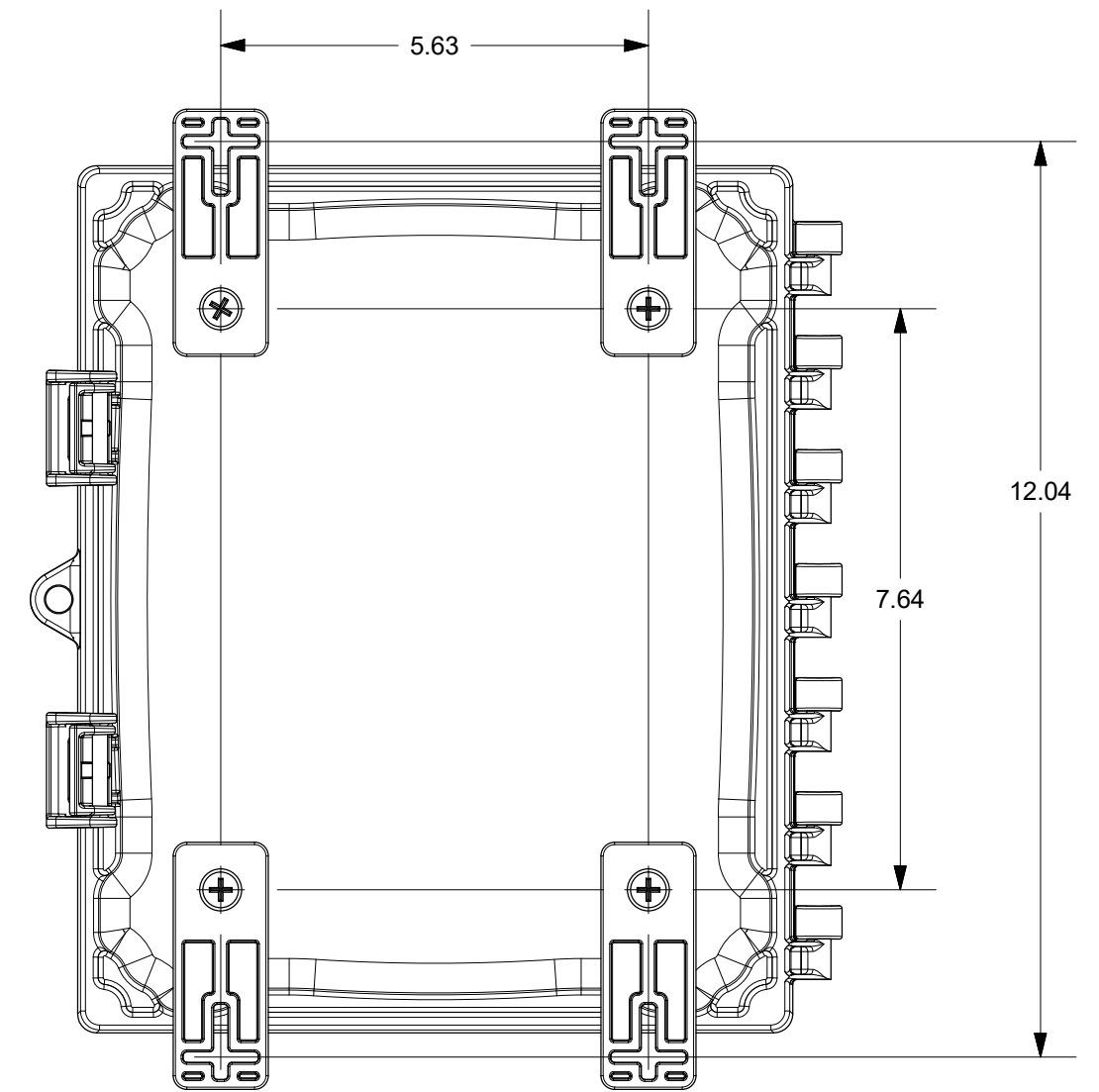
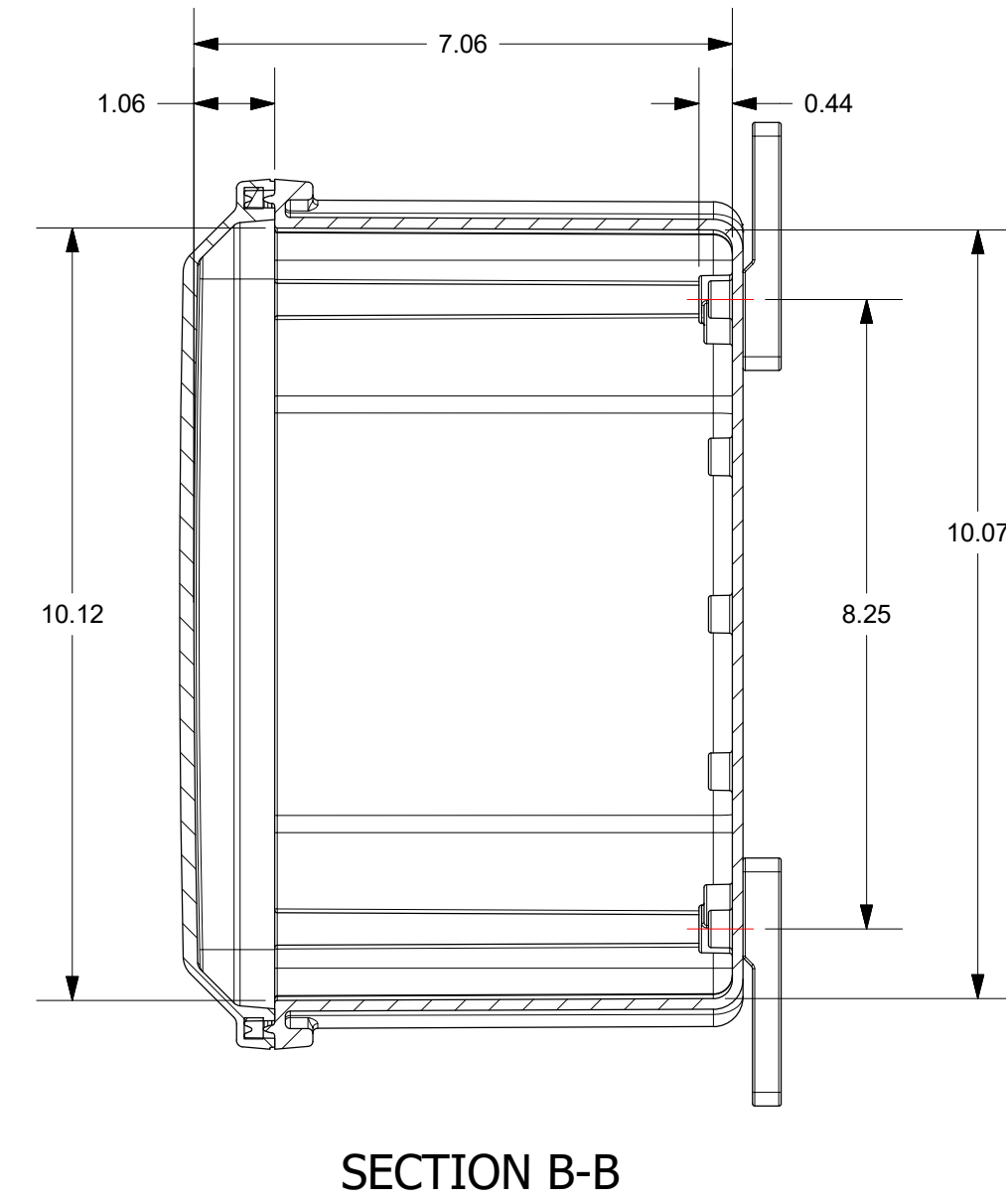
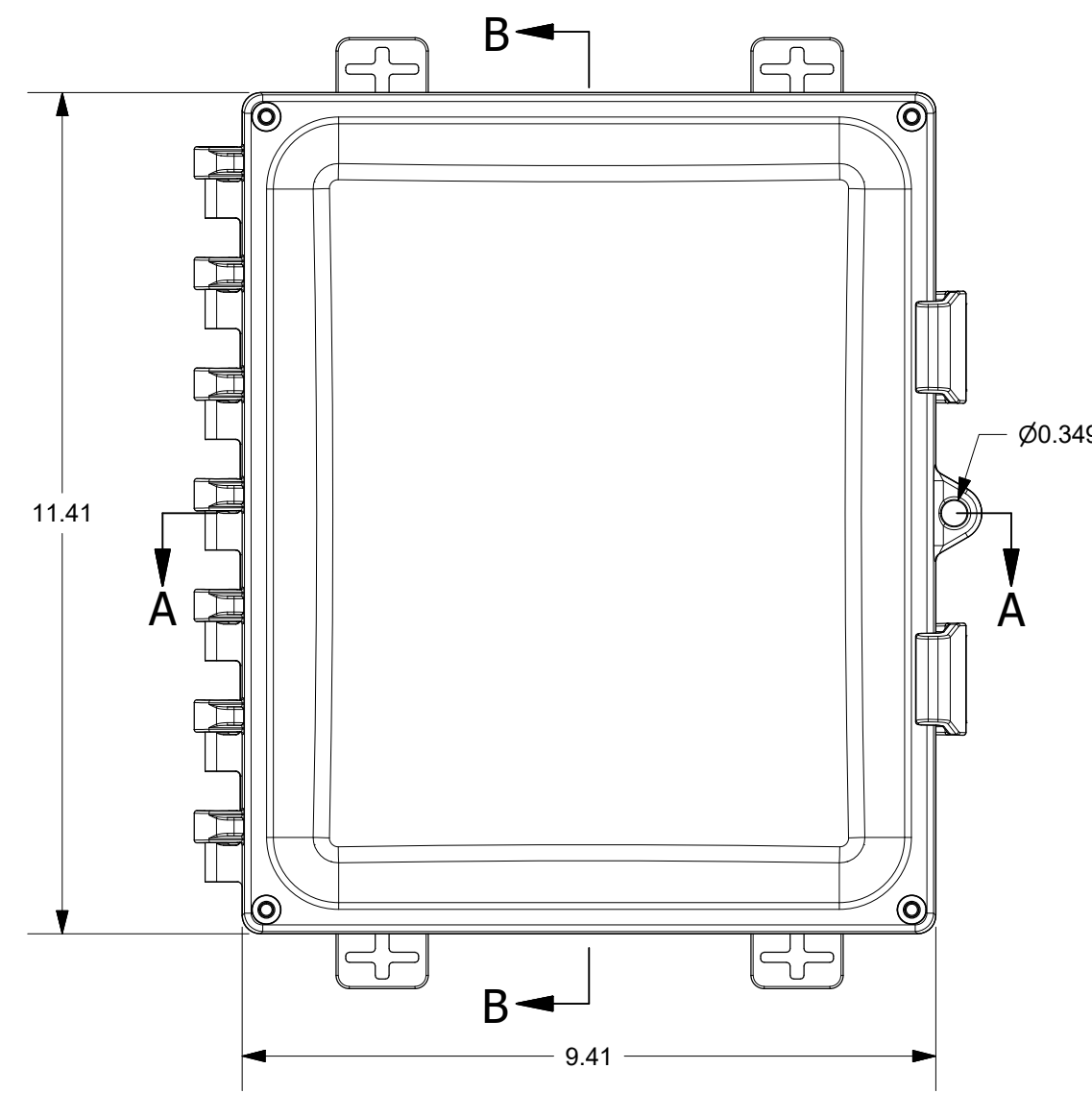
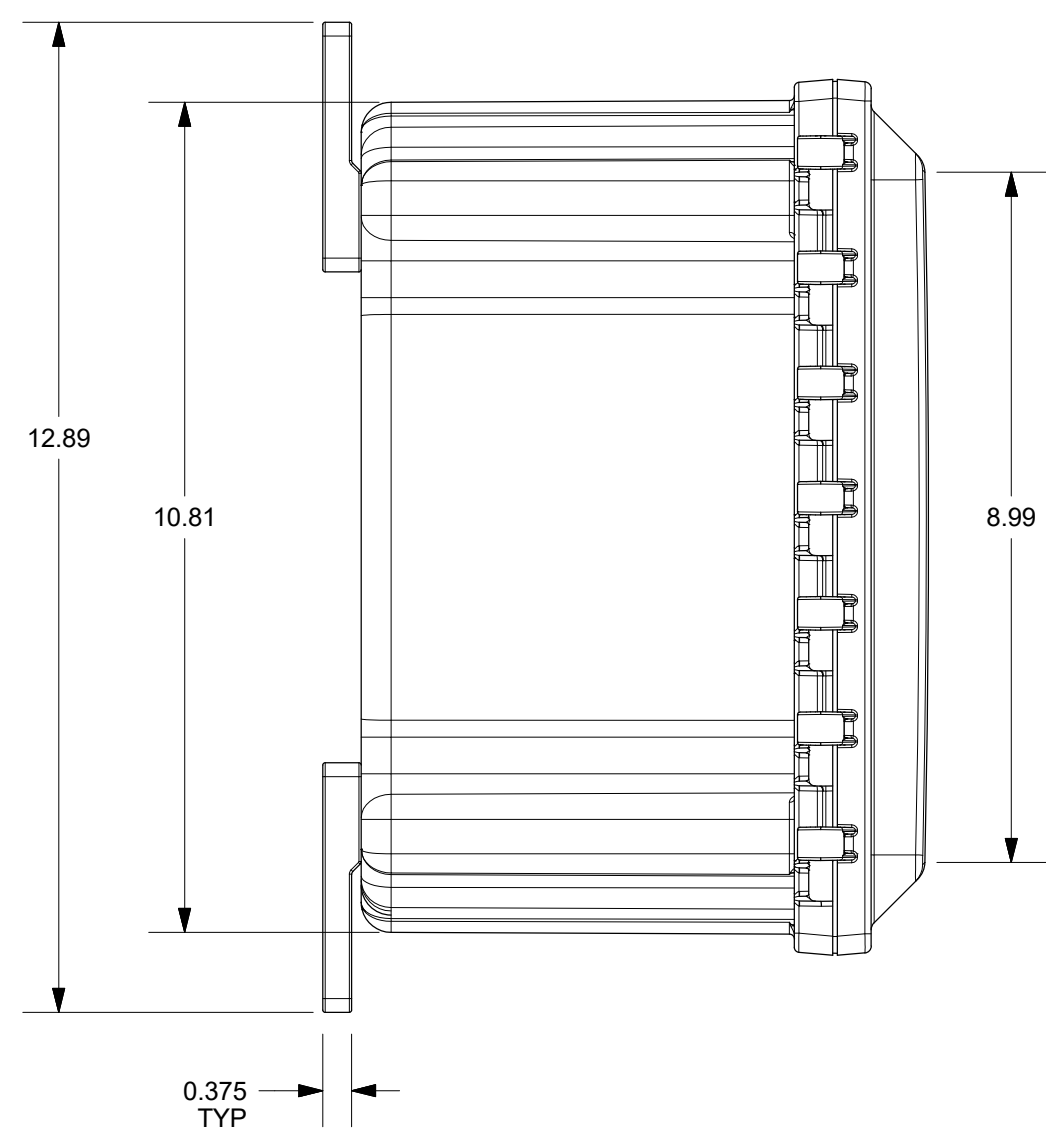



FOR REFERENCE ONLY  
MOUNTING FEET SHOWN AS INSTALLED

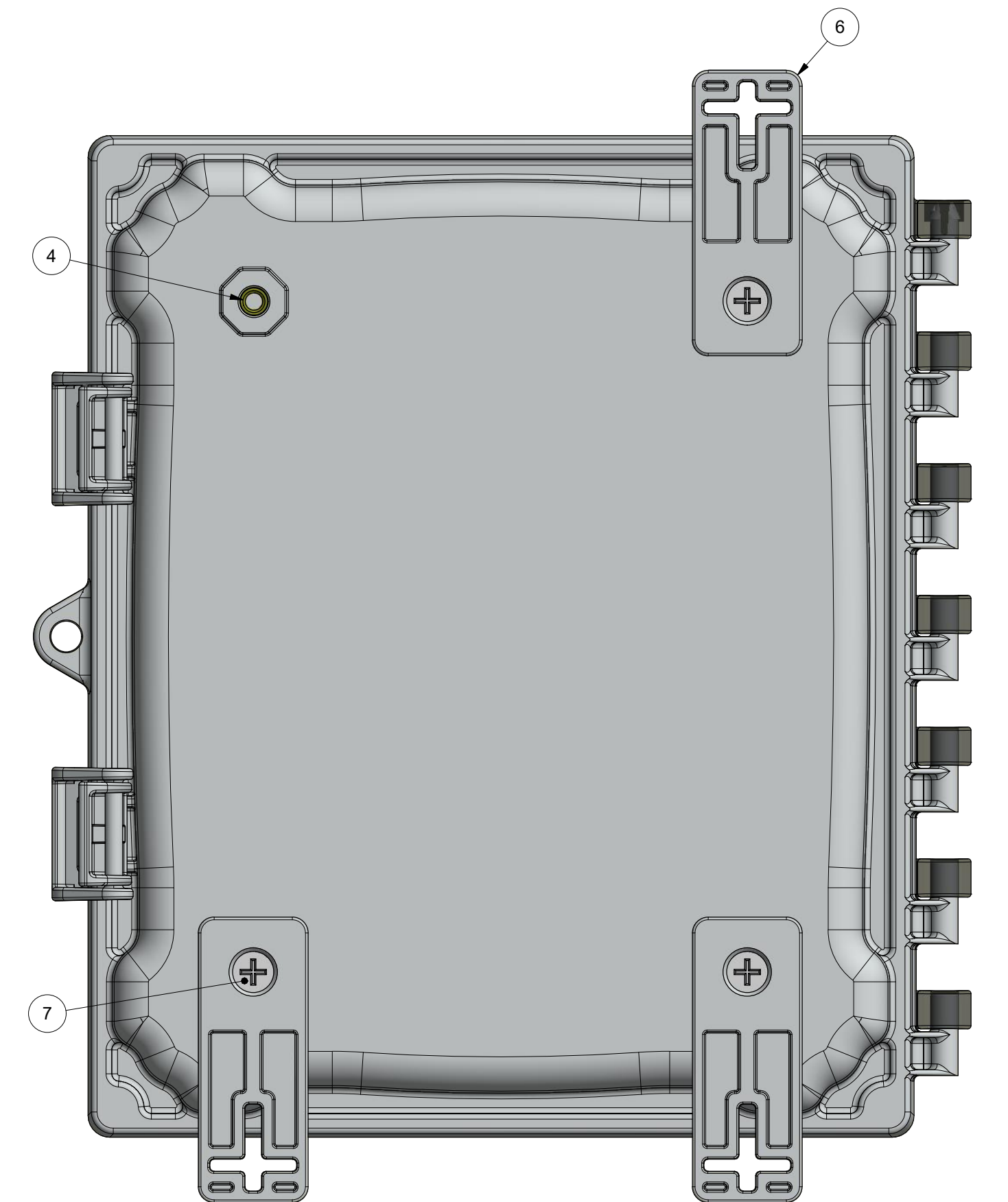
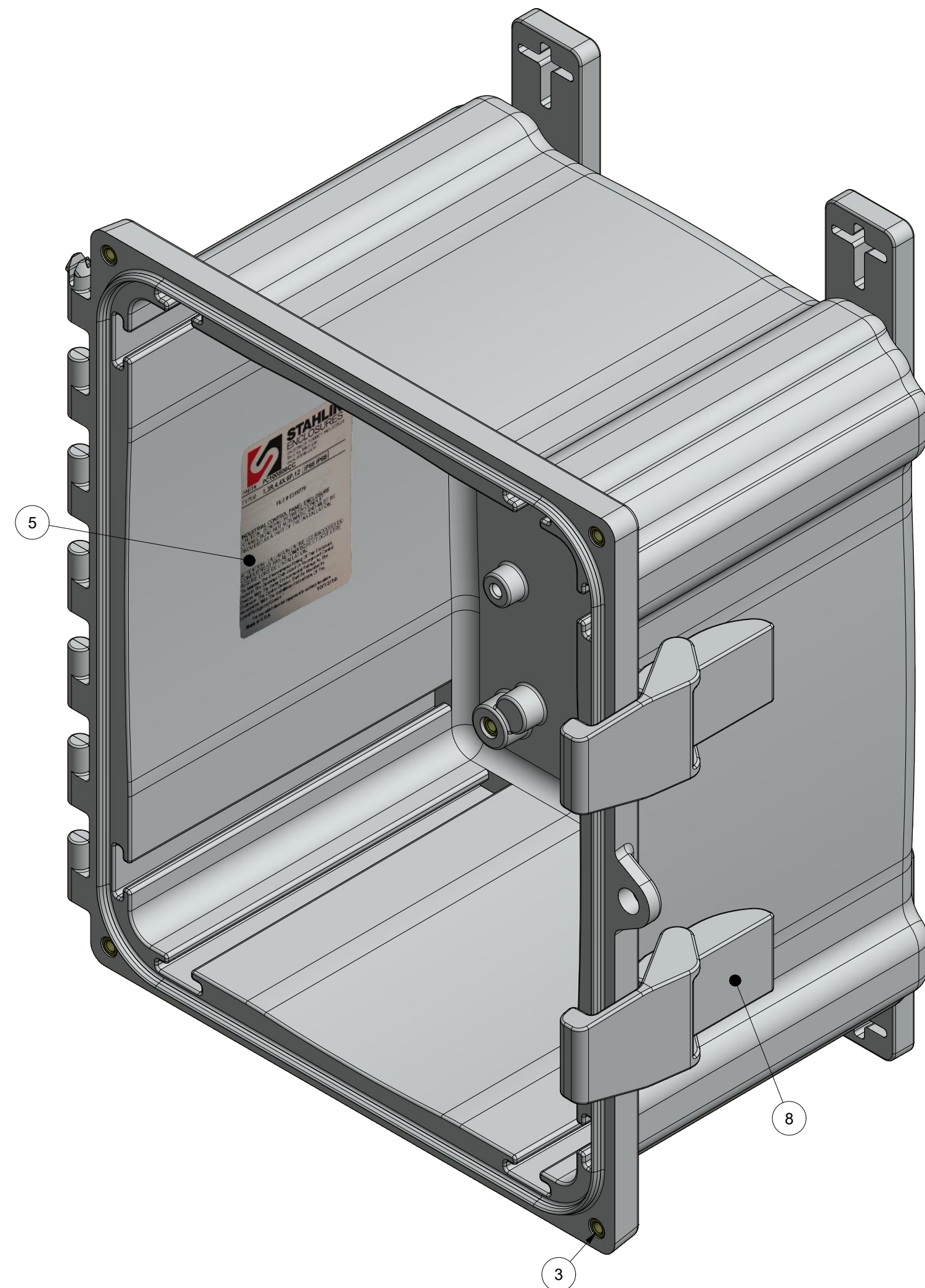
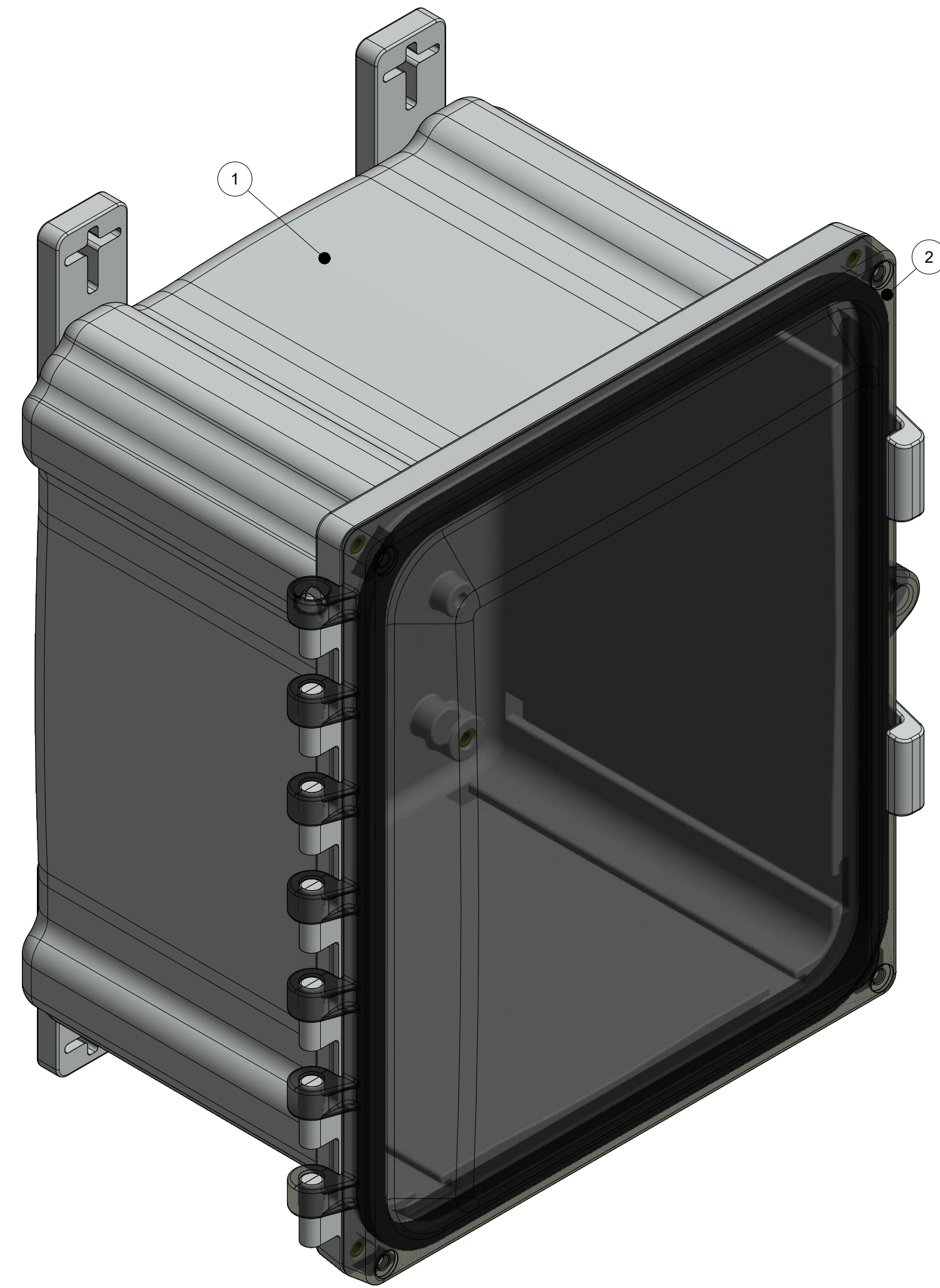


THIS DRAWING IS THE SOLE AND EXCLUSIVE PROPERTY OF ROBROY ENCLOSURES. NO PART OF THIS DRAWING MAY BE REPRODUCED, DISTRIBUTED, OR PUBLICALLY DISPLAYED IN ANY FORM OR BY ANY MEANS WITHOUT THE EXPRESS WRITTEN PERMISSION OF ROBROY ENCLOSURES. ALL RIGHTS RESERVED. UNDER THE COPYRIGHT LAWS. COPYRIGHT © 2017 ROBROY ENCLOSURES.

**SPECIAL REQUIREMENTS**

- MOLDING:**  
1. PROTECTIVE MYLAR FILM SHALL BE APPLIED TO TOP OF COVER.
- ASSEMBLY:**  
1. (1) POLYCARBONATE ACCESSORY KIT (WPPCACCKIT) SHALL BE PACKAGED LOOSELY INSIDE ENCLOSURE.  
HARDWARE INCLUDED:  
-(4) 1/4-20 x 1/2 FLAT HEAD PHILLIPS MACHINE SCREW (RMSC1/4-20X.5FLPH)  
-(4) #10-32 x 5/8 PAN HEAD PHILLIPS MACHINE SCREW (RMSC10/32X5/8SS)  
-(2) #10-32 x 3/8 PAN HEAD SCREW (RMSC10/32X3/8ZN)  
-(4) #10 WASHER (RMWAS10ZN)
2. (1) STYROFOAM SHEET SHALL BE PLACED ON TOP OF COVER INSIDE CARTON.

NEMA 250: TYPE 1, 3R, 4, 4X, 6P, 12 IEC 60529: IP66, IP68		STANDARD P/N: PC100806CC	ALL DIMENSIONS ARE IN INCHES UNLESS OTHERWISE SPECIFIED		TOLERANCES UNLESS SPECIFIED	.XX ± 0.03	.XXX ± 0.010																																				
COLOR: N/A COLOR STANDARD: PANTONE 7541 C		CUSTOMER DWG:	 <b>Robroy Enclosures</b> 500 Maple Street Belding, Michigan 48809 Phone: 616-794-0700 Fax: 616-749-3378																																								
MATERIAL: POLYCARBONATE																																											
<table border="1"> <thead> <tr> <th colspan="4">REVISION HISTORY</th> </tr> <tr> <th>REV</th> <th>DESCRIPTION</th> <th>DATE</th> <th>ENG</th> </tr> </thead> <tbody> <tr><td>-</td><td>-</td><td>-</td><td>-</td></tr> <tr><td>-</td><td>-</td><td>-</td><td>-</td></tr> <tr><td>-</td><td>-</td><td>-</td><td>-</td></tr> <tr><td>-</td><td>-</td><td>-</td><td>-</td></tr> <tr><td>-</td><td>-</td><td>-</td><td>-</td></tr> <tr><td>-</td><td>-</td><td>-</td><td>-</td></tr> <tr><td>-</td><td>-</td><td>-</td><td>-</td></tr> </tbody> </table>								REVISION HISTORY				REV	DESCRIPTION	DATE	ENG	-	-	-	-	-	-	-	-	-	-	-	-	-	-	-	-	-	-	-	-	-	-	-	-	-	-	-	-
REVISION HISTORY																																											
REV	DESCRIPTION	DATE	ENG																																								
-	-	-	-																																								
-	-	-	-																																								
-	-	-	-																																								
-	-	-	-																																								
-	-	-	-																																								
-	-	-	-																																								
-	-	-	-																																								
DRAWN BY: DRH		DATE: 09/22/17	CUSTOMER:		DWG: PC100806CC																																						
SCALE: DO NOT SCALE		DESCRIPTION: STANDARD ENCLOSURE		PART NUMBER: FEPC100806CC																																							



**BACK SIDE**  
 (1) MOUNTING FOOT REMOVED FOR CLARITY  
 TORQUE SCREWS TO 10-14 IN.-LBS.

ITEM		QTY	PART NUMBER	DESCRIPTION
1	1	WPPC1086BOX	PC100806CC MOLDED BOX	
2	1	WPPC1084CVR	PC100806CC MOLDED COVER WITH ROPE GASKET	
3	8	RMAHINS10-32UNF	#10-32 UNF COVER & BACK PANEL BRASS INSERT	
4	4	RMAHINS1/4-20UNC	1/4-20 UNC MOUNTING FOOT BRASS INSERT	
5	1	RMLABBLANK3X2	PC100806CC LABEL	
6	4	RMAHFOOT-001	MOUNTING FOOT (INCLUDED WITH WPPCACCKIT)	
7	4	RMSC1/4-20X.5FLPH	1/4-20 x 1/2 FLAT HEAD PHILLIPS MACHINE SCREW	
8	2	RMAHLATCH-001	LATCH	
9	1	WPPCACCKIT	POLYCARBONATE ACCESSORY KIT (INCLUDES MOUNTING FEET)	

THIS DRAWING IS THE SOLE AND EXCLUSIVE PROPERTY OF ROBROY ENCLOSURES. NO PART OF THIS DRAWING MAY BE REPRODUCED, DISTRIBUTED, OR PUBLICALLY DISPLAYED IN ANY FORM OR BY ANY MEANS WITHOUT THE EXPRESS WRITTEN PERMISSION OF ROBROY ENCLOSURES. ALL RIGHTS RESERVED. UNDER THE COPYRIGHT LAWS. COPYRIGHT © 2017 ROBROY ENCLOSURES.

**SPECIAL REQUIREMENTS**

**MOLDING:**  
 1. PROTECTIVE MYLAR FILM SHALL BE APPLIED TO TOP OF COVER

**ASSEMBLY:**  
 1. (1) POLYCARBONATE ACCESSORY KIT (WPPCACCKIT) SHALL BE PACKAGED LOOSELY INSIDE ENCLOSURE

**HARDWARE INCLUDED:**  
 (4) 1/4-20 x 1/2 FLAT HEAD PHILLIPS MACHINE SCREW (RMSC1/4-20X.5FLPH)  
 (4) #10-32 x 5/8 PAN HEAD PHILLIPS MACHINE SCREW (RMSC10/32X5/8SS)  
 (4) #10-32 x 3/8 PAN HEAD SCREW (RMSC10/32X3/8ZN)  
 (4) #10 WASHER (RMWAS10ZN)

2. (1) STYROFOAM SHEET SHALL BE PLACED ON TOP OF COVER INSIDE CARTON

NEMA 250: TYPE 1, 3R, 4, 4X, 6P, 12  
 IEC 60529: IP66, IP68  
 COLOR: N/A  
 COLOR STANDARD: PANTONE 7541 C

STANDARD P/N: PC100806CC  
 CUSTOMER DWG:

MATERIAL: POLYCARBONATE

DRAWN BY		DATE	CUSTOMER	DWG
DRH		09/22/17		PC100806CC
SCALE	DESCRIPTION	PART NUMBER		
DO NOT SCALE	STANDARD ENCLOSURE	FEPC100806CC		

