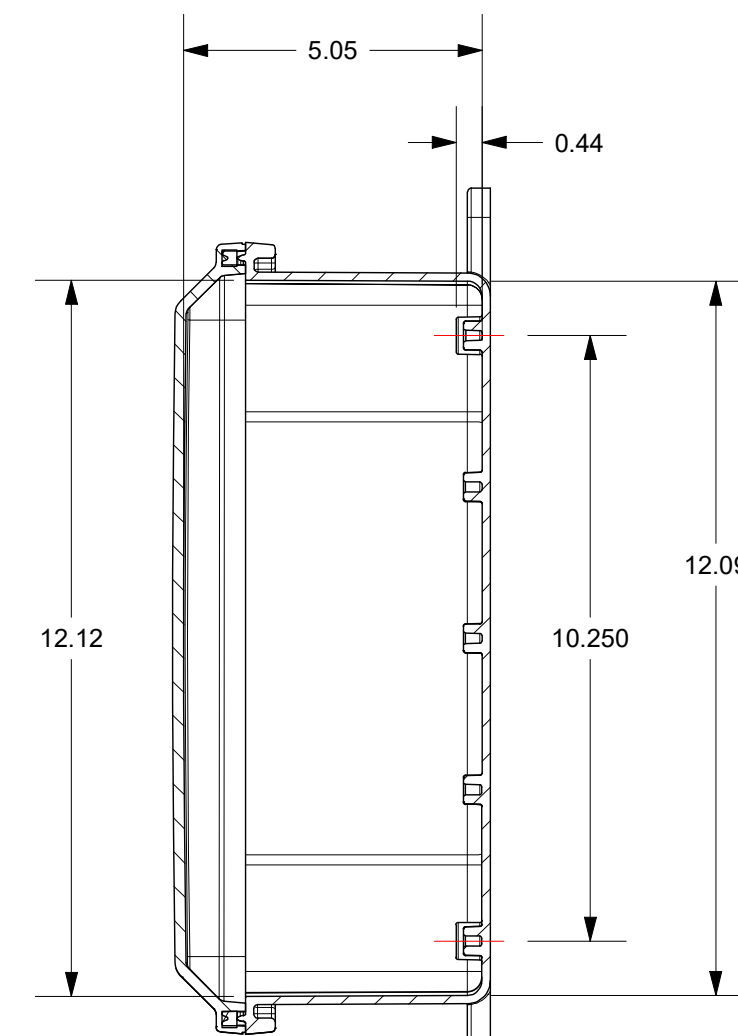
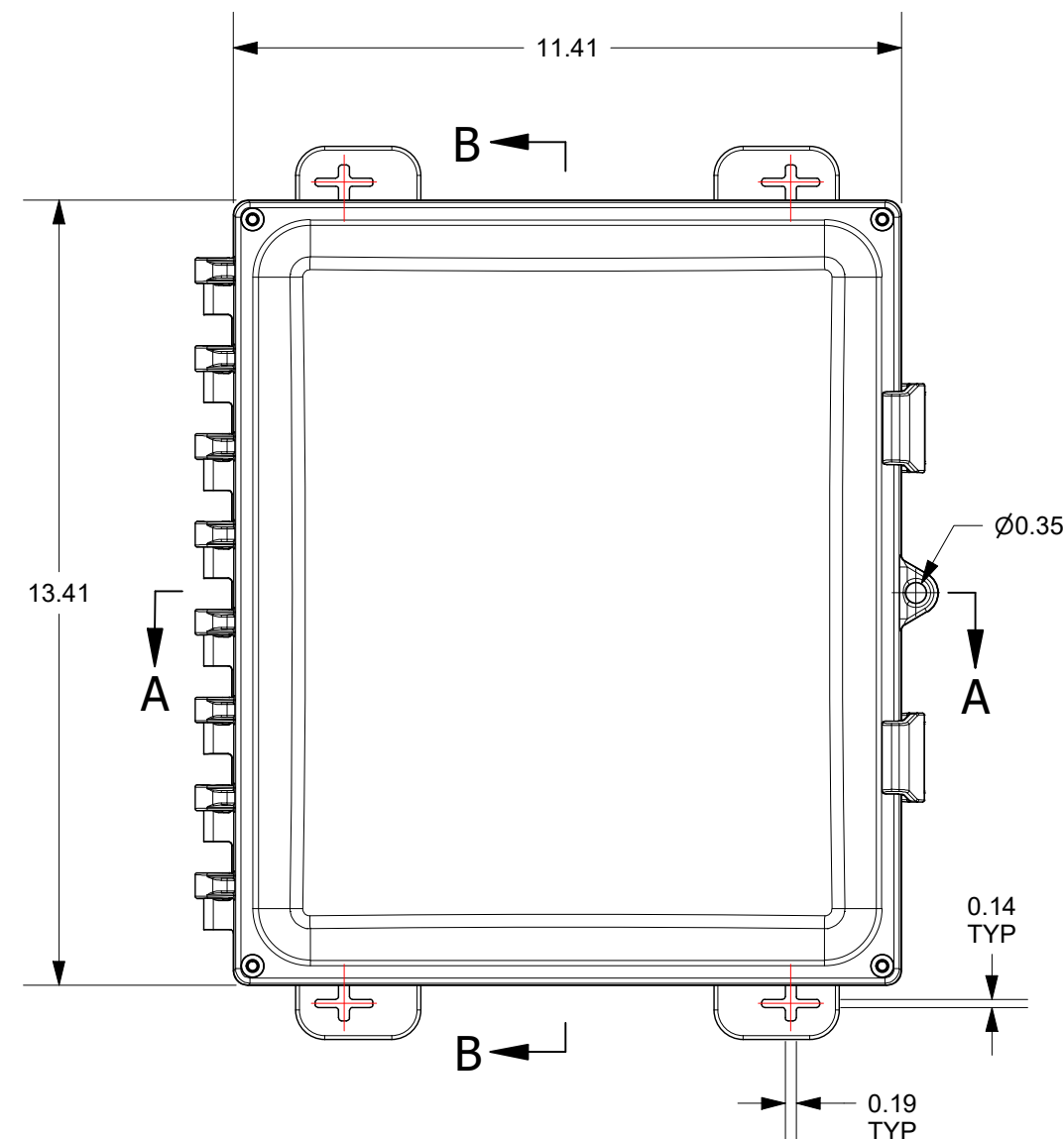
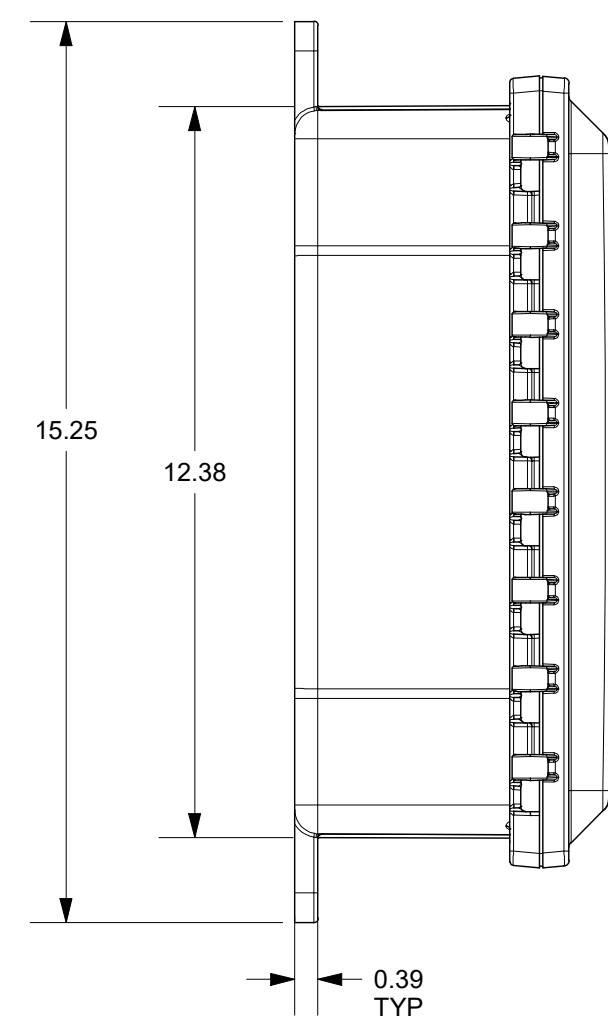
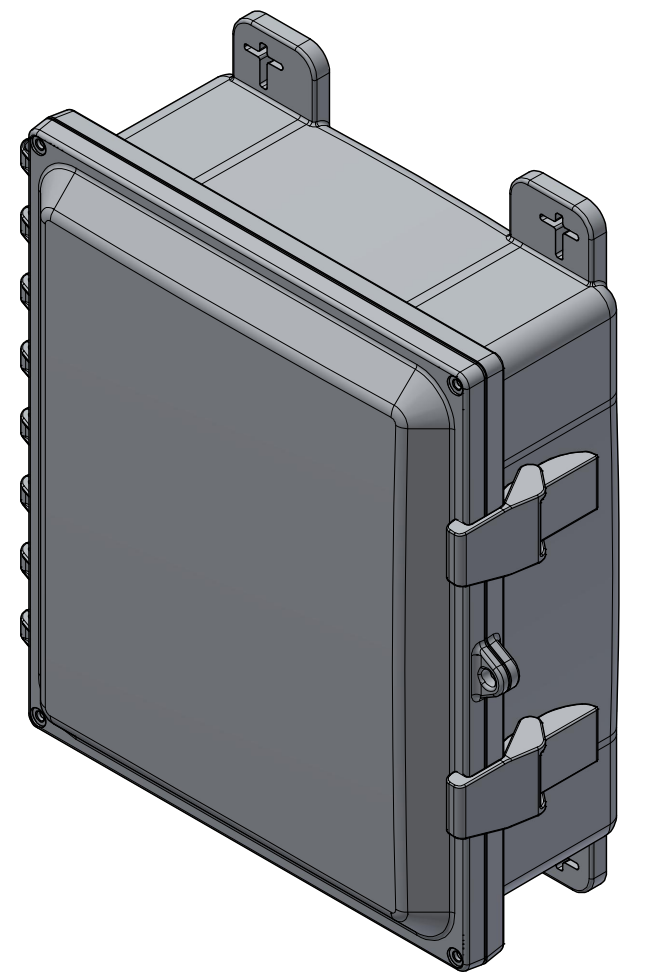
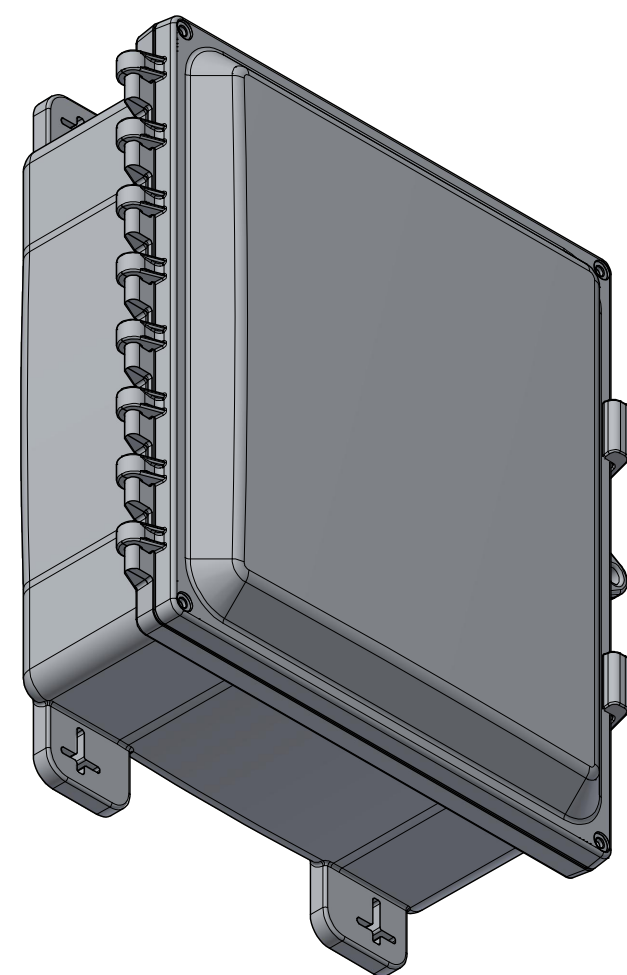
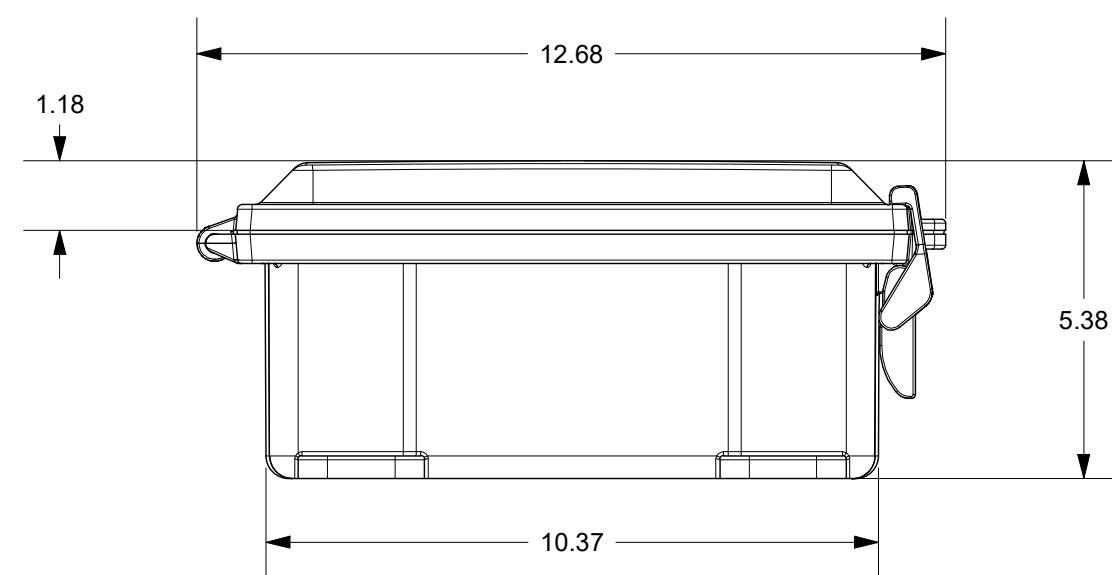
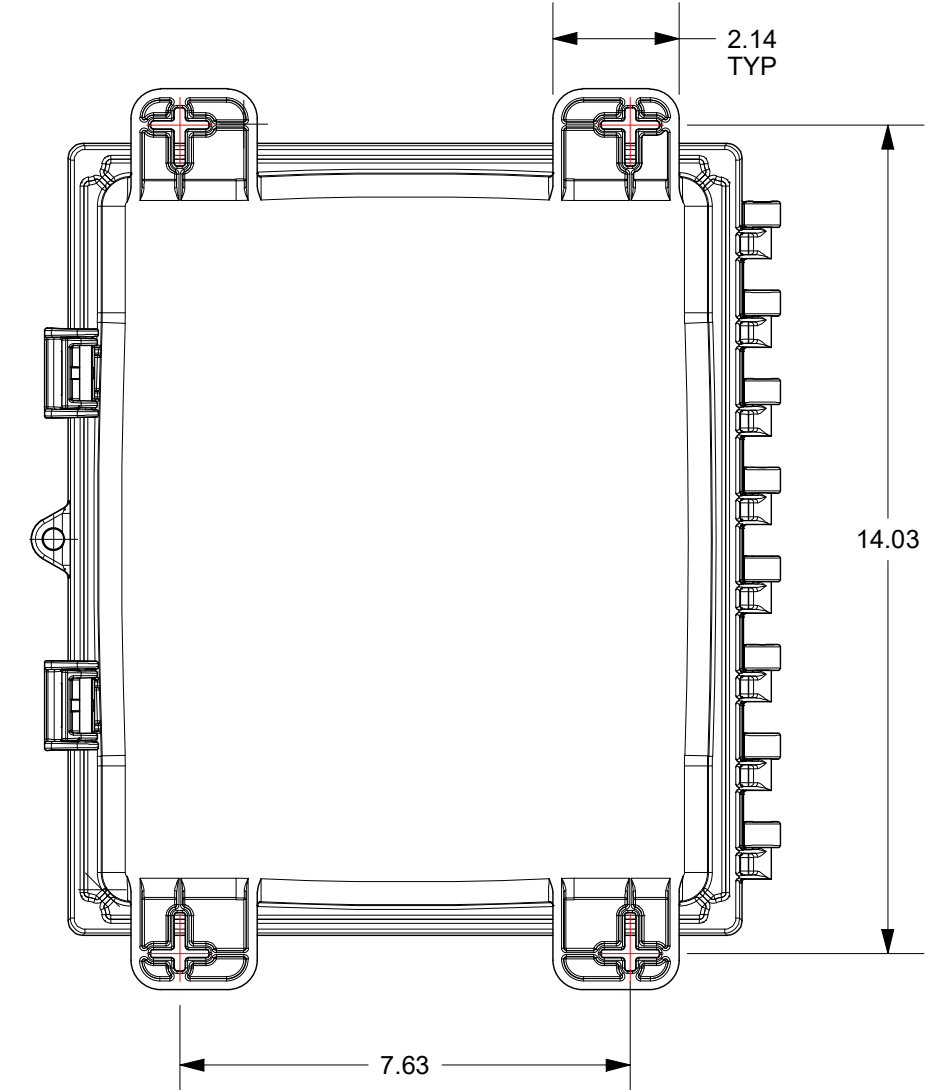


SECTION A-A



SECTION B-B



THIS DRAWING IS THE SOLE AND EXCLUSIVE PROPERTY OF ROBROY ENCLOSURES. NO PART OF THIS DRAWING MAY BE REPRODUCED, DISTRIBUTED, OR PUBLICALLY DISPLAYED IN ANY FORM OR BY ANY MEANS WITHOUT THE EXPRESS WRITTEN PERMISSION OF ROBROY ENCLOSURES. ALL RIGHTS RESERVED. UNDER THE COPYRIGHT LAWS. COPYRIGHT © 2023 ROBROY ENCLOSURES.

SPECIAL REQUIREMENTS			
ASSEMBLY:			
1. (1) ACCESSORY KIT (WPPCACKKITNOFT) SHALL BE PACKAGED LOOSELY INSIDE ENCLOSURE			
2. (1) STYROFOAM SHEET SHALL BE PLACED ON TOP OF COVER INSIDE CARTON			

NEMA 250: TYPE 1, 3R, 4, 4X, 6P, 12		STANDARD P/N: PC121004		ALL DIMENSIONS ARE IN INCHES UNLESS OTHERWISE SPECIFIED		TOLERANCES UNLESS SPECIFIED		.XX ± 0.03		.XXX ± 0.010	
IEC 60529: IP66, IP68		CUSTOMER DWG:									
COLOR: N/A											
COLOR STANDARD: PANTONE 7541 C											
MATERIAL: POLYCARBONATE											
REVISION HISTORY											
REV	DESCRIPTION	DATE	ENG								
-	-	-	-								
-	-	-	-								
-	-	-	-								
-	-	-	-								
-	-	-	-								
-	-	-	-								
				DRAWN BY: AA		DATE: 2/6/23		CUSTOMER		DWG: PC121004	
				SCALE: DO NOT SCALE		DESCRIPTION: STANDARD ENCLOSURE		PART NUMBER: FEPC121004			

