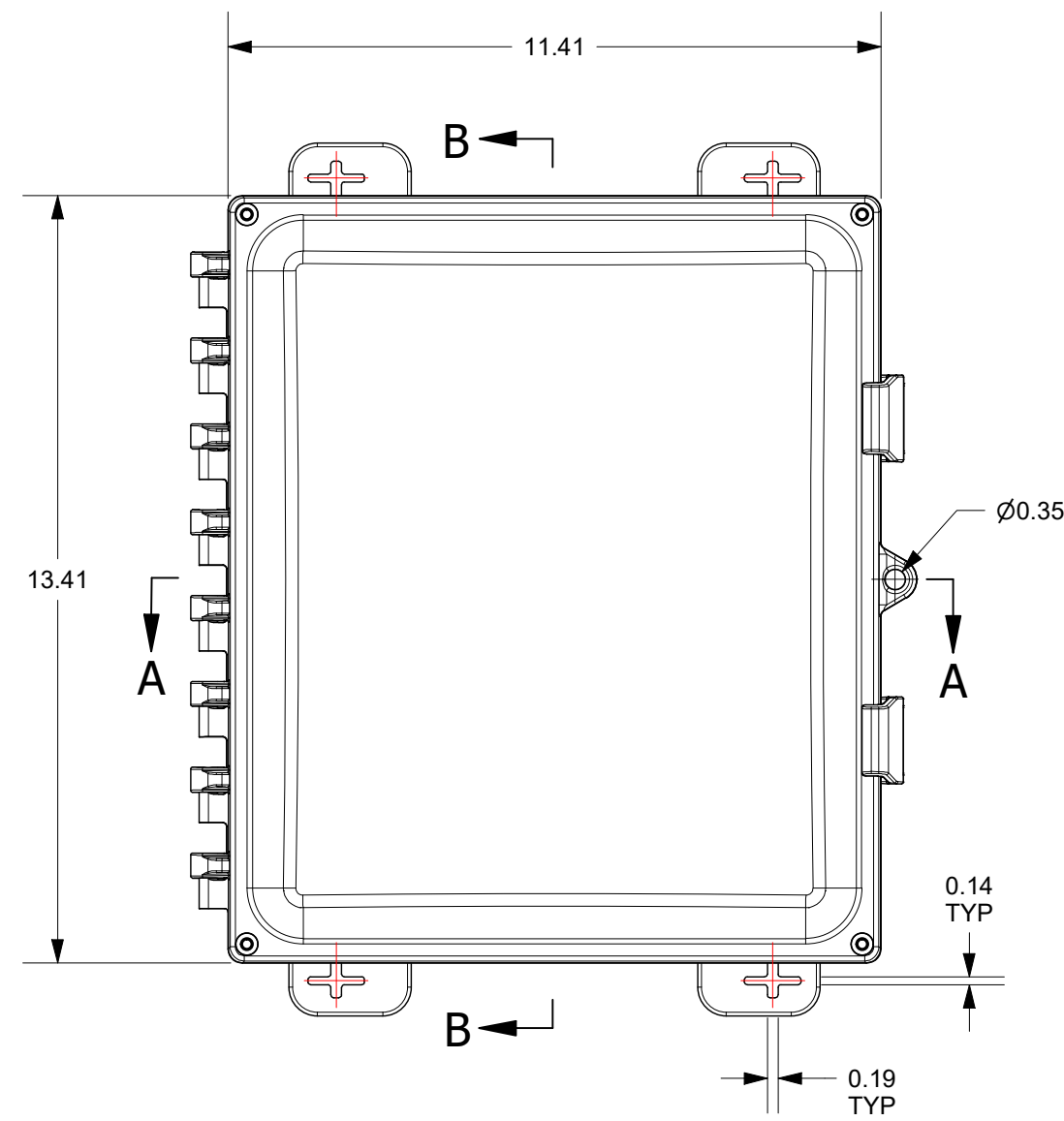
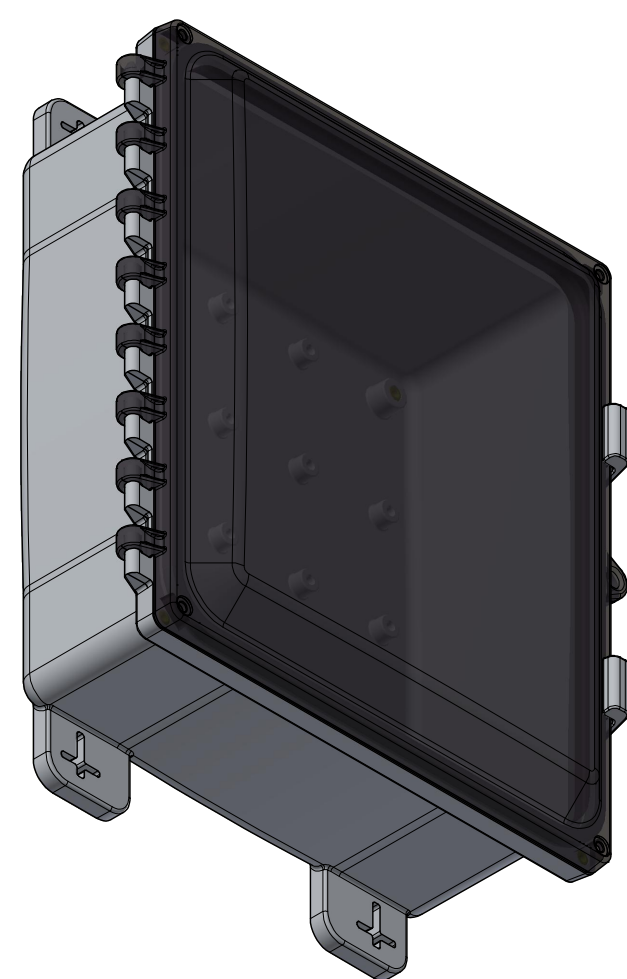
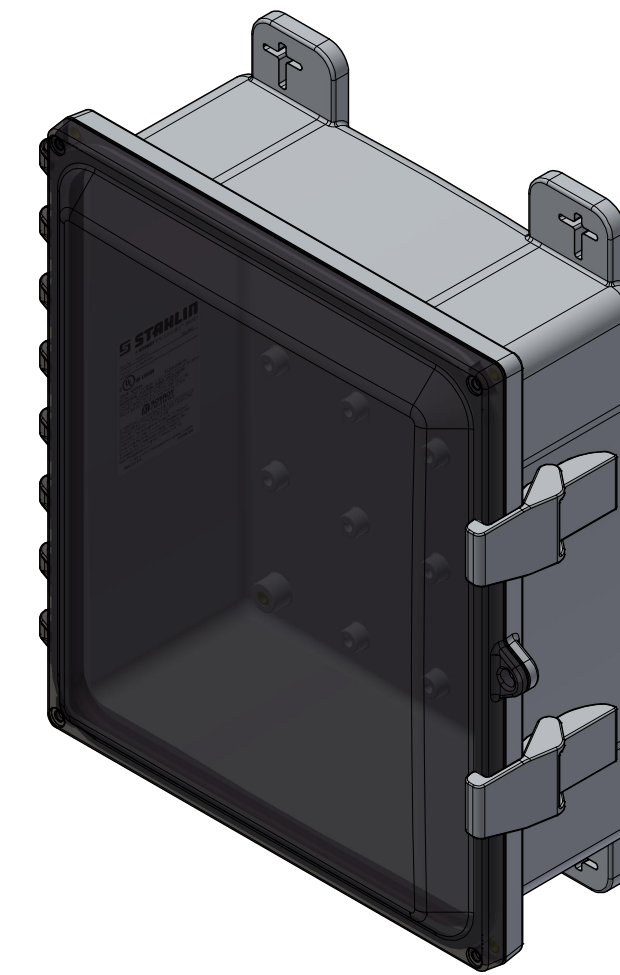
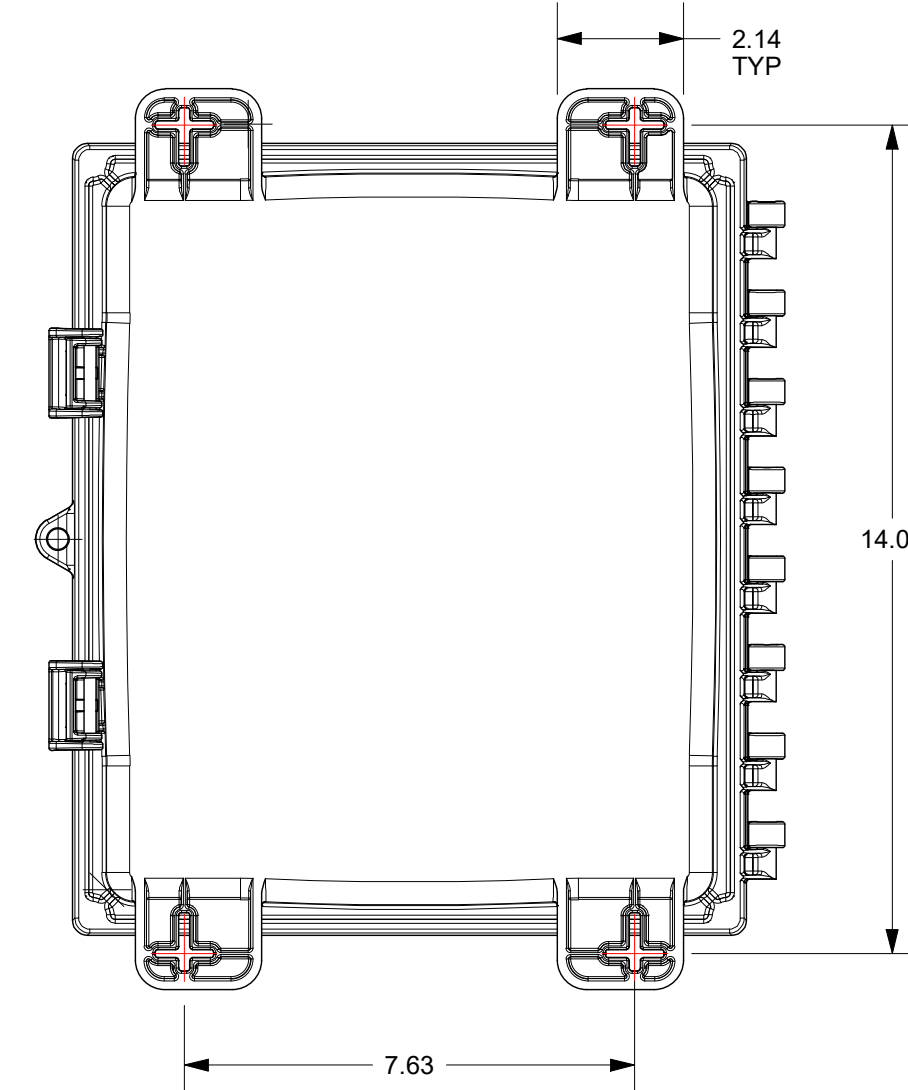
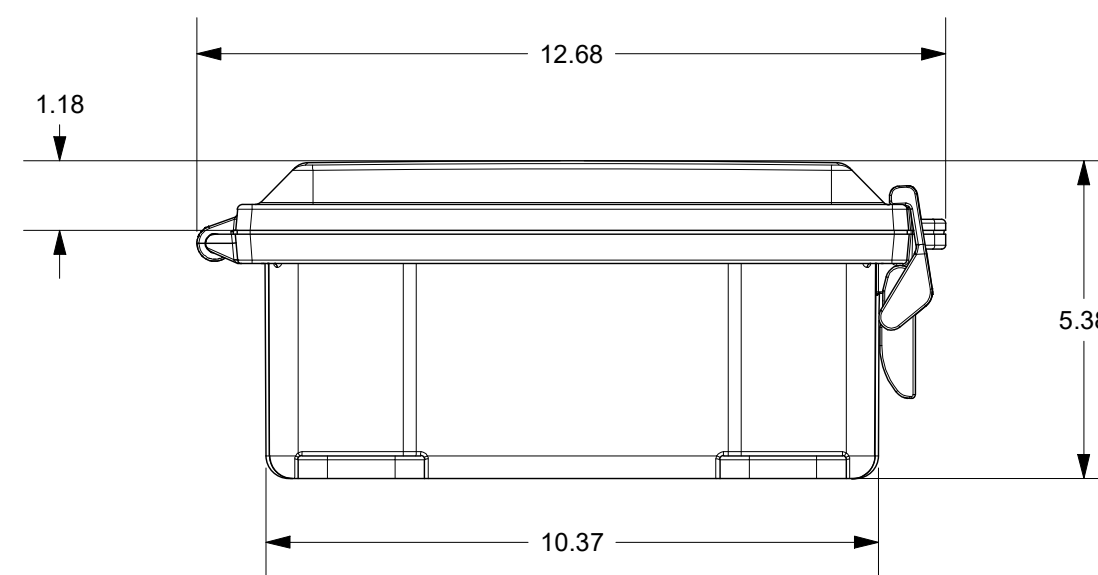
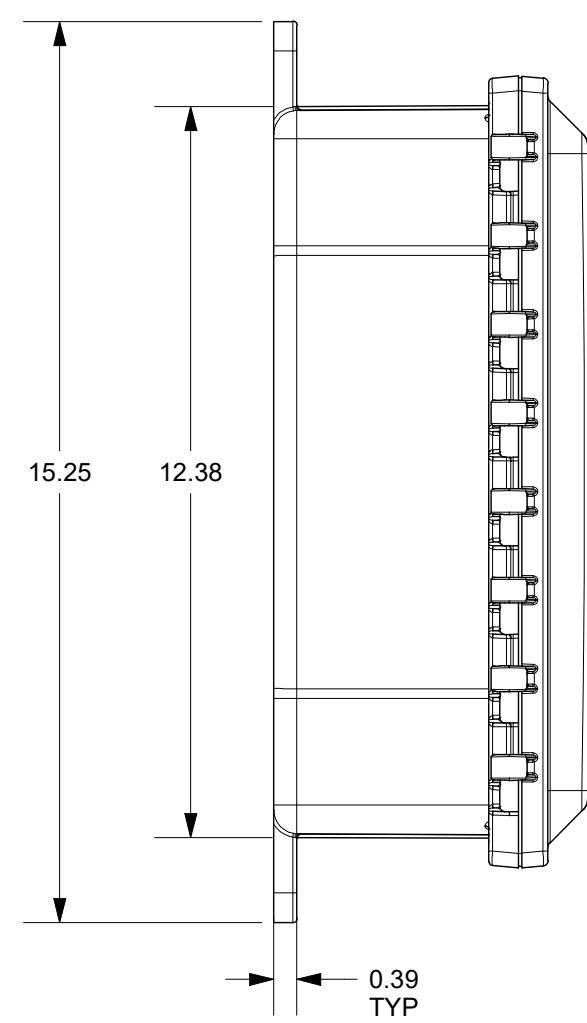


SECTION A-A



SECTION B-B



THIS DRAWING IS THE SOLE AND EXCLUSIVE PROPERTY OF ROBROY ENCLOSURES. NO PART OF THIS DRAWING MAY BE REPRODUCED, DISTRIBUTED, OR PUBLICALLY DISPLAYED IN ANY FORM OR BY ANY MEANS WITHOUT THE EXPRESS WRITTEN PERMISSION OF ROBROY ENCLOSURES. ALL RIGHTS RESERVED. UNDER THE COPYRIGHT LAWS. COPYRIGHT © 2023 ROBROY ENCLOSURES.

**SPECIAL REQUIREMENTS**

ASSEMBLY:  
1: (1) ACCESSORY KIT (WPPCACKKITNOFT) SHALL BE PACKAGED LOOSELY INSIDE ENCLOSURE

NEMA 250: TYPE 1, 3R, 4, 4X, 6P, 12  
IEC 60529: IP66, IP68  
COLOR: N/A  
COLOR STANDARD: PANTONE 7541 C

STANDARD P/N: PC121004CC  
CUSTOMER DWG:

ALL DIMENSIONS ARE IN INCHES UNLESS OTHERWISE SPECIFIED  
TOLERANCES UNLESS SPECIFIED .XX .XXX ± 0.03 ± 0.010

REVISION HISTORY			
REV	DESCRIPTION	DATE	ENG
-	-	-	-
-	-	-	-
-	-	-	-
-	-	-	-
-	-	-	-
-	-	-	-

DRAWN BY AA		DATE 2/6/23	CUSTOMER	DWG PC121004CC
SCALE DO NOT SCALE	DESCRIPTION STANDARD ENCLOSURE	PART NUMBER FEPC121004CC		



**Robroy Enclosures**  
500 Maple Street  
Belding, Michigan 48809  
Phone: 616-794-0700  
Fax: 616-749-3378