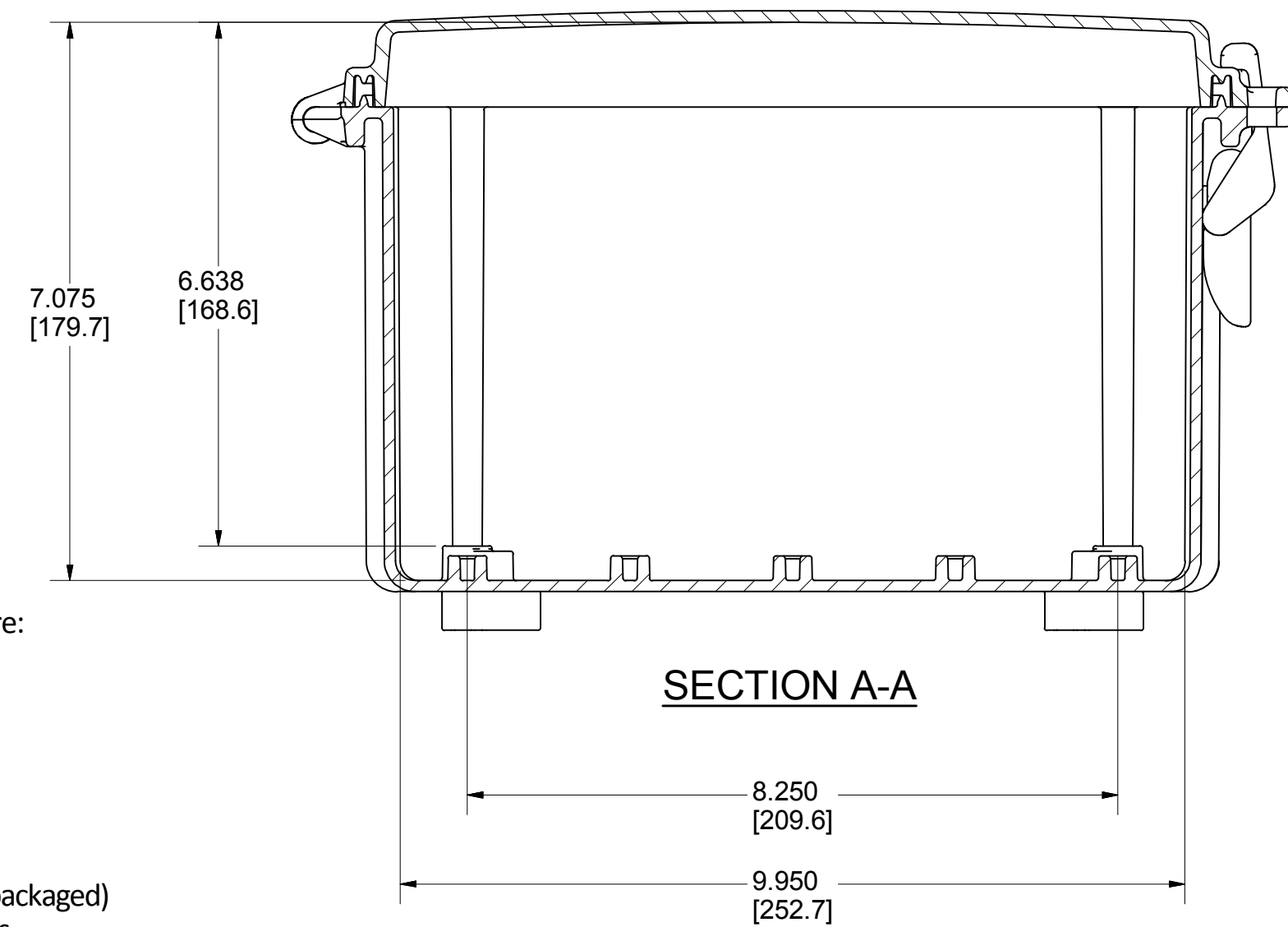


SECTION B-B



SECTION A-A


Items to be packaged inside enclosure:

- PN: PCAccessoryKit
- Mounting feet with screws
- (4) S.S. cover screws
- (1) PC Hinge Plug
- (4) PC screw hole plugs

- Back Panel screw pack (individually packaged)
- (4) 10-32 X 3/8 S.S. Back panel screws
- (4) S.S. AN960C10L Washers

Installation Instruction Sheet PN: RMINSTGPC

THIS DRAWING AND THE INFORMATION HEREON ARE OUR PROPERTY AND MAY BE USED BY OTHERS ONLY AS AUTHORIZED BY STAHLIN ENCLOSURES, DIVISION OF ROBROY INDUSTRIES. ALL RIGHTS RESERVED UNDER THE COPYRIGHT LAWS.

NOTES:		UL TYPE		ALL DIMENSIONS ARE INCHES (MILLIMETERS) UNLESS SPECIFIED		TOLERANCES UNLESS SPECIFIED .XX ± 0.03 (0.79) .XXX ± 0.010 (0.250)	
MATERIAL		DR. BY	DATE	 STAHLIN ENCLOSURES DIVISION OF ROBROY INDUSTRIES			
MATERIAL		SL	6/16/11				
LET.	REVISION RECORD	DATE	BY	CHD.	CHK. BY	DATE	CUSTOMER
					APD. BY	DATE	
		SCALE		PART NAME		PART NO.	
						PC1210_VERTICAL	

BELDING, MICHIGAN 48809