

THIS DRAWING IS THE SOLE AND EXCLUSIVE PROPERTY OF ROBROY ENCLOSURES. NO PART OF THIS DRAWING MAY BE REPRODUCED, DISTRIBUTED, OR PUBLICALLY DISPLAYED IN ANY FORM OR BY ANY MEANS WITHOUT THE EXPRESS WRITTEN PERMISSION OF ROBROY ENCLOSURES. ALL RIGHTS RESERVED. UNDER THE COPYRIGHT LAWS. COPYRIGHT © 2017 ROBROY ENCLOSURES.

SPECIAL REQUIREMENTS

ASSEMBLY:

1. (1) POLYCARBONATE ACCESSORY KIT WITHOUT MOUNTING FEET (WPPCACCKITNOFT) SHALL BE PACKAGED LOOSELY INSIDE ENCLOSURE


HARDWARE INCLUDED:

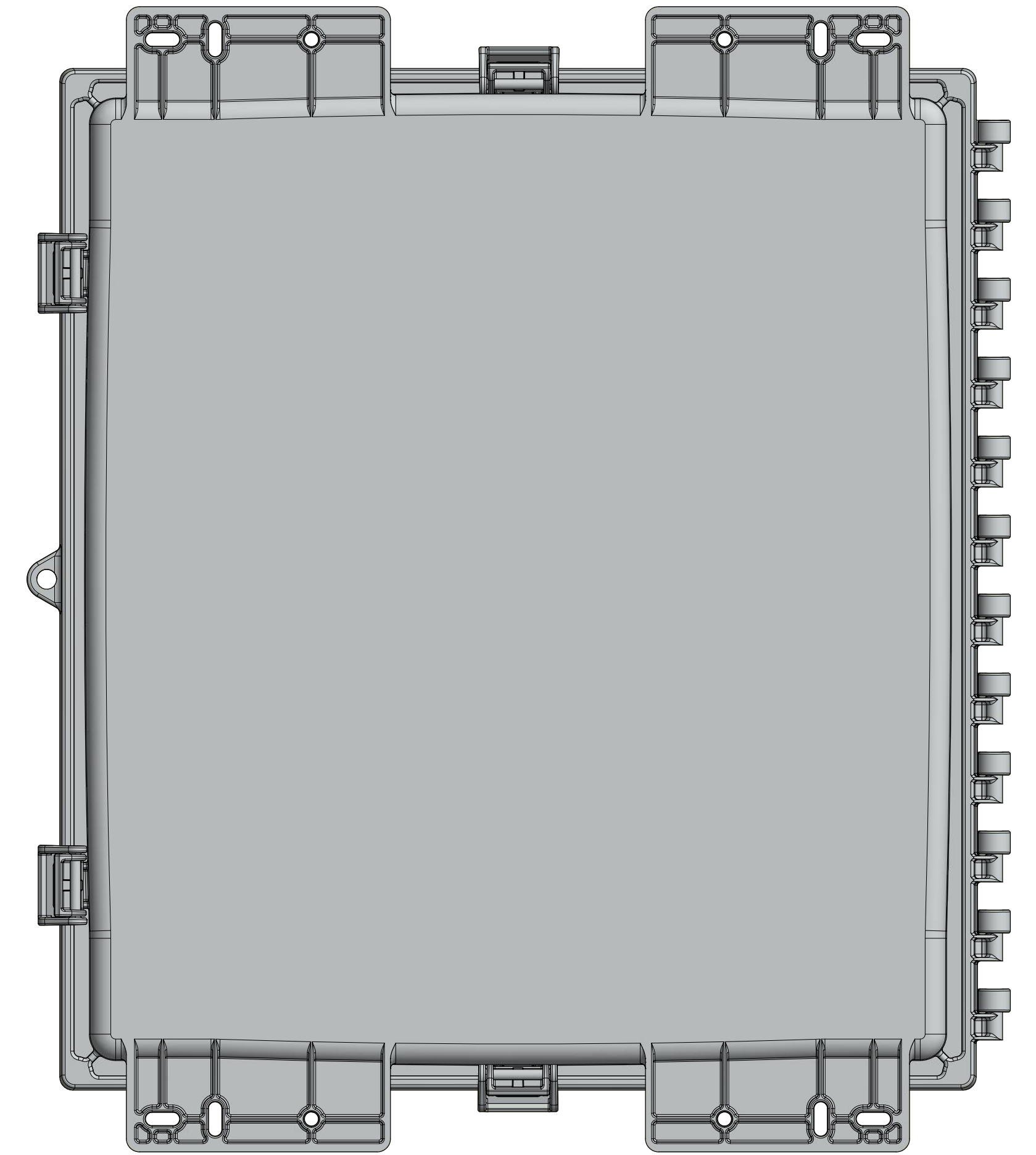
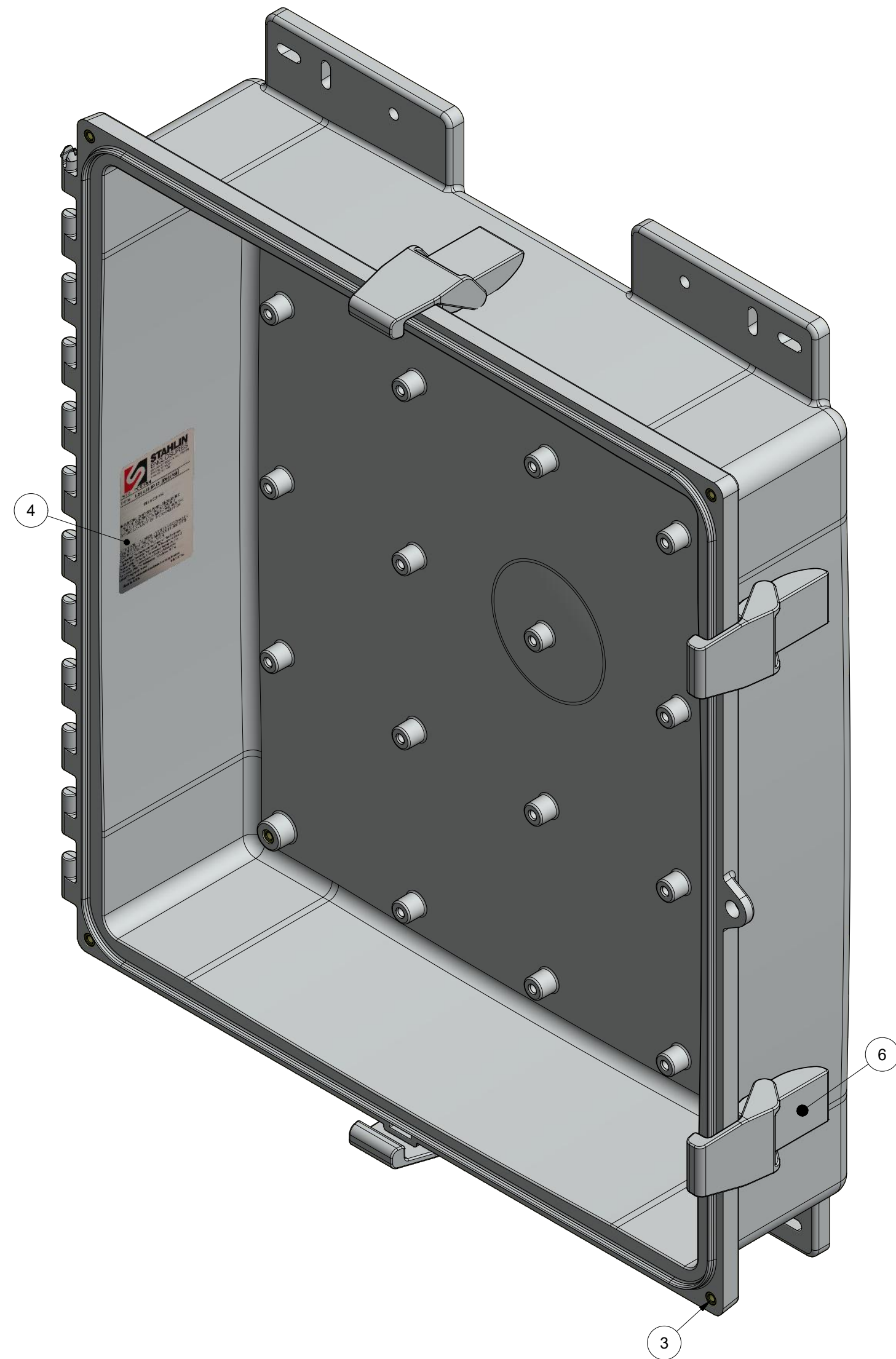
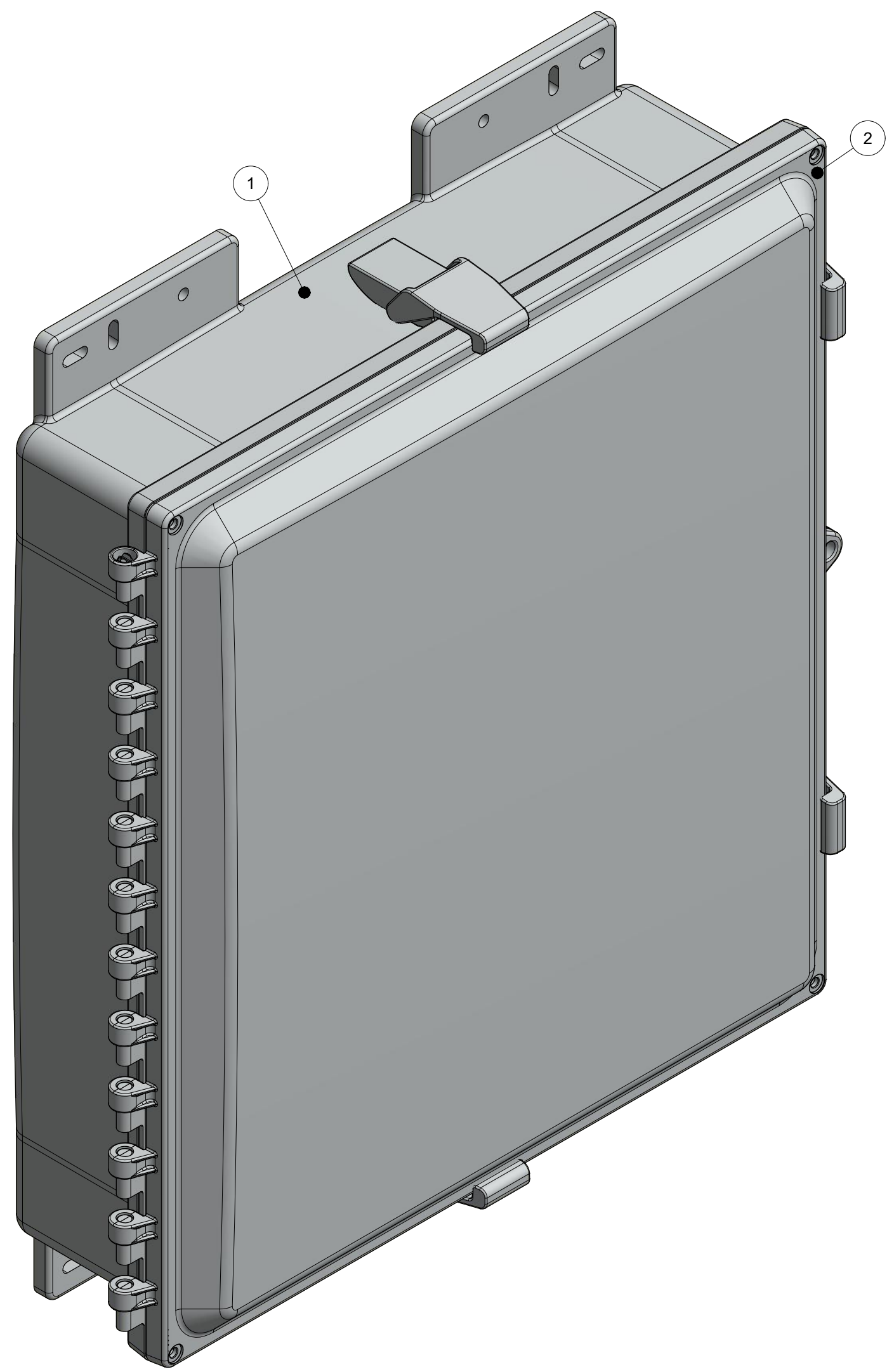
(-4) #10-32 x 5/8 PAN HEAD PHILLIPS MACHINE SCREW (RMSC10/32X5/8SS)

(-4) #10-32 x 3/8 PAN HEAD SCREW (RMSC10/32X3/8ZN)

(-4) #10 WASHER (RMWAS10ZN)

2. (1) STYROFOAM SHEET SHALL BE PLACED ON TOP OF COVER INSIDE CARTON

NEMA 250: TYPE 1, 3R, 4, 4X, 6P, 12 IEC 60529: IP66, IP68		STANDARD P/N: PC181604	ALL DIMENSIONS ARE IN INCHES UNLESS OTHERWISE SPECIFIED		TOLERANCES UNLESS SPECIFIED	.XX ± 0.03	.XXX ± 0.010																																																								
COLOR: N/A COLOR STANDARD: PANTONE 7541 C		CUSTOMER DWG:	 Robroy Enclosures 500 Maple Street Belding, Michigan 48809 Phone: 616-794-0700 Fax: 616-749-3378																																																												
MATERIAL: POLYCARBONATE																																																															
<table border="1"> <thead> <tr> <th>REV</th> <th>DESCRIPTION</th> <th>DATE</th> <th>ENG</th> <th>DRAWN BY</th> <th>DATE</th> <th>CUSTOMER</th> <th>DWG</th> </tr> </thead> <tbody> <tr> <td>-</td> <td>-</td> <td>-</td> <td>-</td> <td>-</td> <td>-</td> <td>-</td> <td>-</td> </tr> <tr> <td>-</td> <td>-</td> <td>-</td> <td>-</td> <td>-</td> <td>-</td> <td>-</td> <td>-</td> </tr> <tr> <td>-</td> <td>-</td> <td>-</td> <td>-</td> <td>-</td> <td>-</td> <td>-</td> <td>-</td> </tr> <tr> <td>-</td> <td>-</td> <td>-</td> <td>-</td> <td>-</td> <td>-</td> <td>-</td> <td>-</td> </tr> <tr> <td>-</td> <td>-</td> <td>-</td> <td>-</td> <td>-</td> <td>-</td> <td>-</td> <td>-</td> </tr> <tr> <td>-</td> <td>-</td> <td>-</td> <td>-</td> <td>-</td> <td>-</td> <td>-</td> <td>-</td> </tr> </tbody> </table>								REV	DESCRIPTION	DATE	ENG	DRAWN BY	DATE	CUSTOMER	DWG	-	-	-	-	-	-	-	-	-	-	-	-	-	-	-	-	-	-	-	-	-	-	-	-	-	-	-	-	-	-	-	-	-	-	-	-	-	-	-	-	-	-	-	-	-	-	-	-
REV	DESCRIPTION	DATE	ENG	DRAWN BY	DATE	CUSTOMER	DWG																																																								
-	-	-	-	-	-	-	-																																																								
-	-	-	-	-	-	-	-																																																								
-	-	-	-	-	-	-	-																																																								
-	-	-	-	-	-	-	-																																																								
-	-	-	-	-	-	-	-																																																								
-	-	-	-	-	-	-	-																																																								
DO NOT SCALE		SCALE	DESCRIPTION	PART NUMBER																																																											
			STANDARD ENCLOSURE	FEPC181604																																																											



PARTS LIST				
ITEM	QTY	PART NUMBER	DESCRIPTION	
1	1	WPPC18164BOX	PC181604 MOLDED BOX	
2	1	WPPC181610CVR	PC181604 MOLDED COVER WITH ROPE GASKET	
3	8	RMAHINS10-32UNF	#10-32 UNF COVER & BACK PANEL BRASS INSERT	
4	1	RMLABBLANK3X2	PC181604 LABEL	
5	1	WPPCACCKITNOFT	POLYCARBONATE ACCESSORY KIT WITHOUT MOUNTING FEET	
6	4	RMAHLATCH-001	LATCH	

THIS DRAWING IS THE SOLE AND EXCLUSIVE PROPERTY OF ROBROY ENCLOSURES. NO PART OF THIS DRAWING MAY BE REPRODUCED, DISTRIBUTED, OR PUBLICALLY DISPLAYED IN ANY FORM OR BY ANY MEANS WITHOUT THE EXPRESS WRITTEN PERMISSION OF ROBROY ENCLOSURES. ALL RIGHTS RESERVED. UNDER THE COPYRIGHT LAWS. COPYRIGHT © 2017 ROBROY ENCLOSURES.

SPECIAL REQUIREMENTS
 ASSEMBLY:
 1. (1) POLYCARBONATE ACCESSORY KIT WITHOUT MOUNTING FEET (WPPCACCKITNOFT) SHALL BE PACKAGED LOOSELY INSIDE ENCLOSURE
 HARDWARE INCLUDED:
 (4) #10-32 x 3/8 PAN HEAD PHILLIPS MACHINE SCREW (RMSC10/32X3/8SS)
 (4) #10-32 x 3/8 PAN HEAD SCREW (RMSC10/32X3/8ZN)
 (4) #10 WASHER (RMWAS10ZN)
 2. (1) STYROFOAM SHEET SHALL BE PLACED ON TOP OF COVER INSIDE CARTON

NEMA 250: TYPE 1, 3R, 4, 4X, 6P, 12
 IEC 60529: IP66, IP68
 COLOR: N/A
 COLOR STANDARD: PANTONE 7541 C

STANDARD P/N: PC181604
 CUSTOMER DWG:

ALL DIMENSIONS ARE IN INCHES UNLESS OTHERWISE SPECIFIED
 TOLERANCES UNLESS SPECIFIED .XX ± 0.03 .XXX ± 0.010

MATERIAL: POLYCARBONATE



Robroy Enclosures
 500 Maple Street
 Belding, Michigan 48809
 Phone: 616-794-0700
 Fax: 616-749-3378

DRAWN BY	DATE	CUSTOMER	DWG
DRH	09/25/17		PC181604
SCALE	DESCRIPTION	PART NUMBER	
DO NOT SCALE	STANDARD ENCLOSURE	FEPC181604	