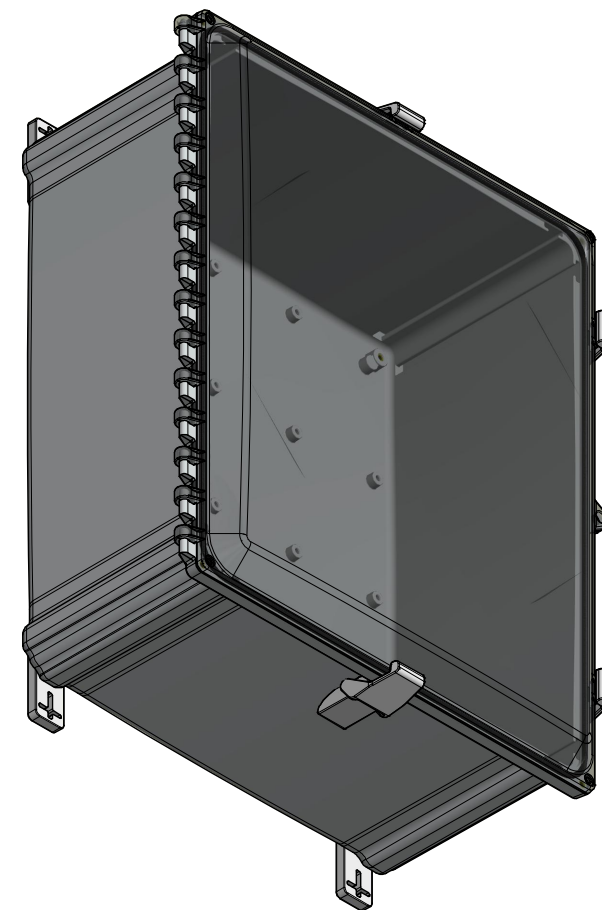
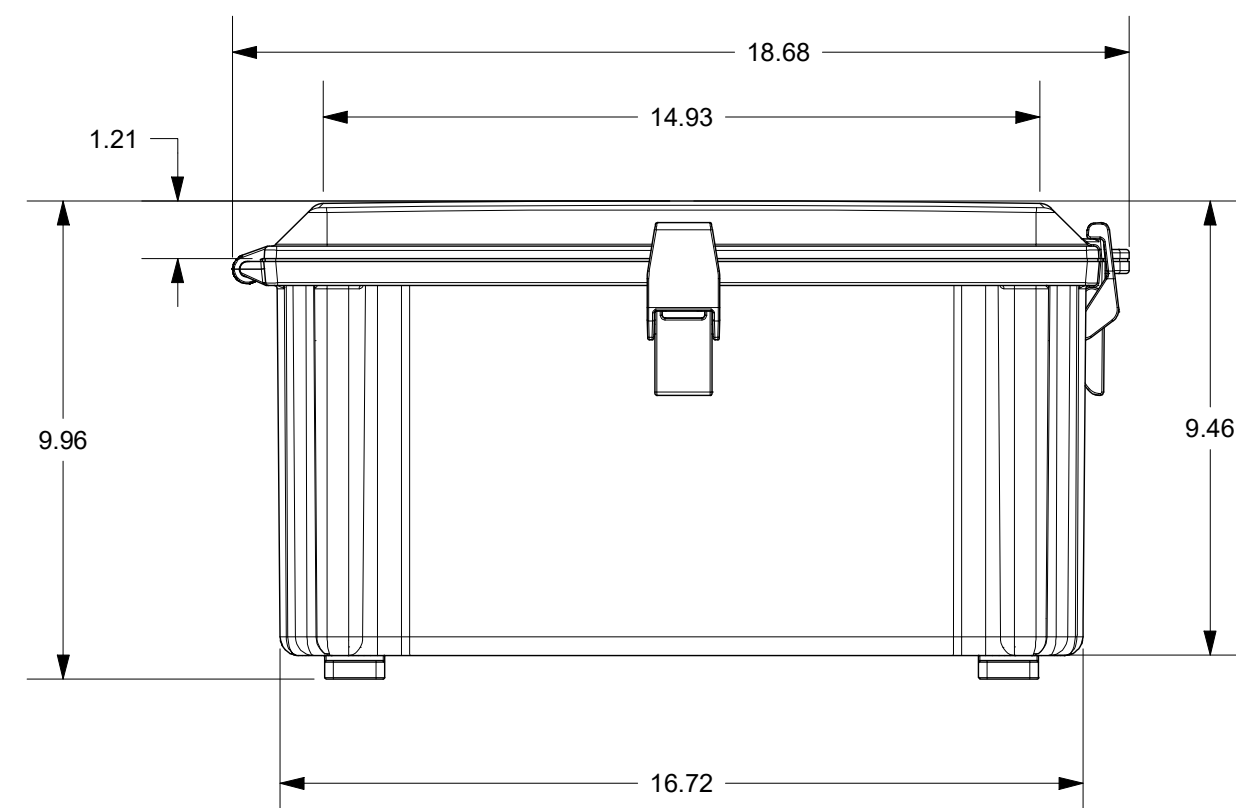
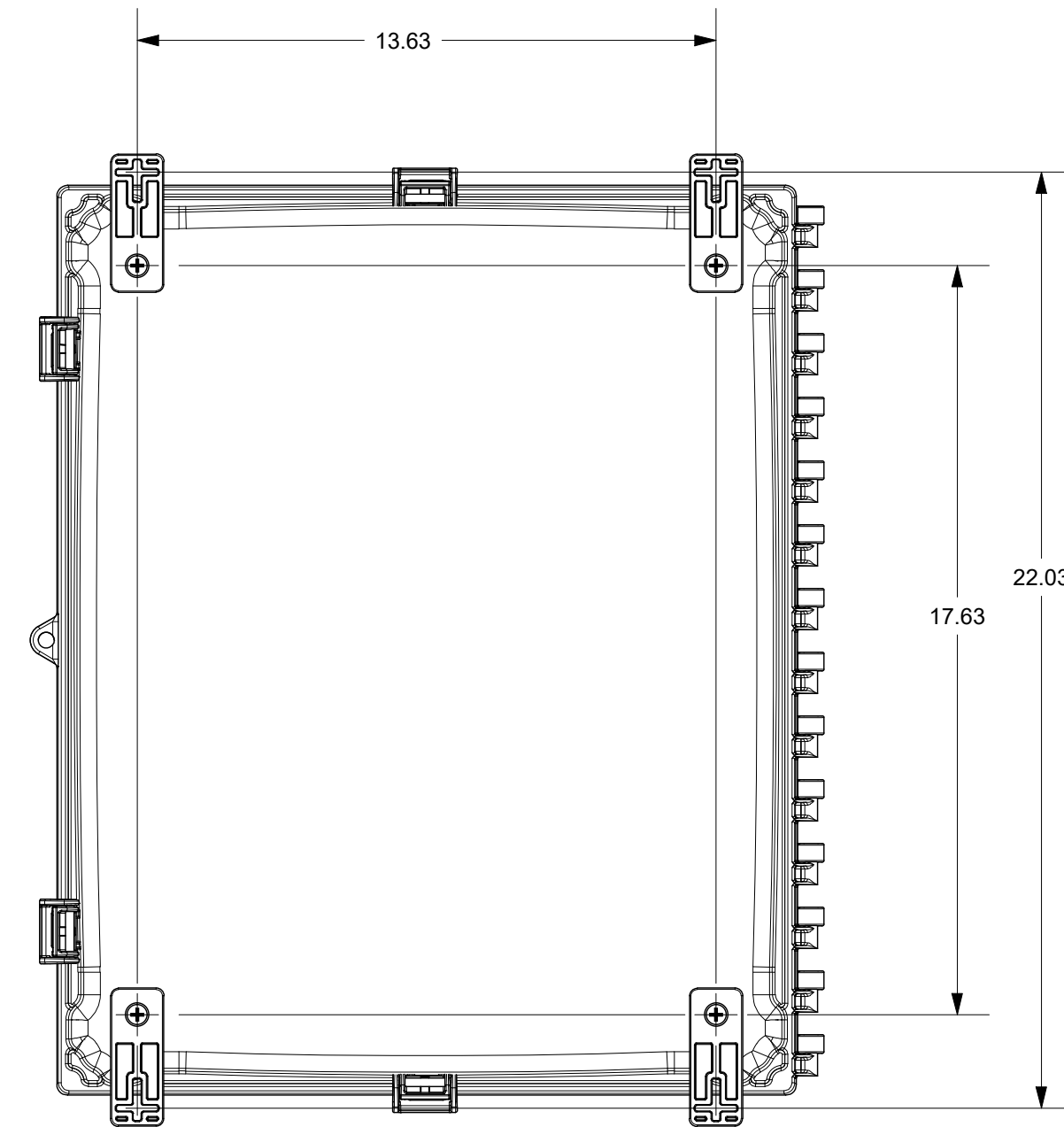
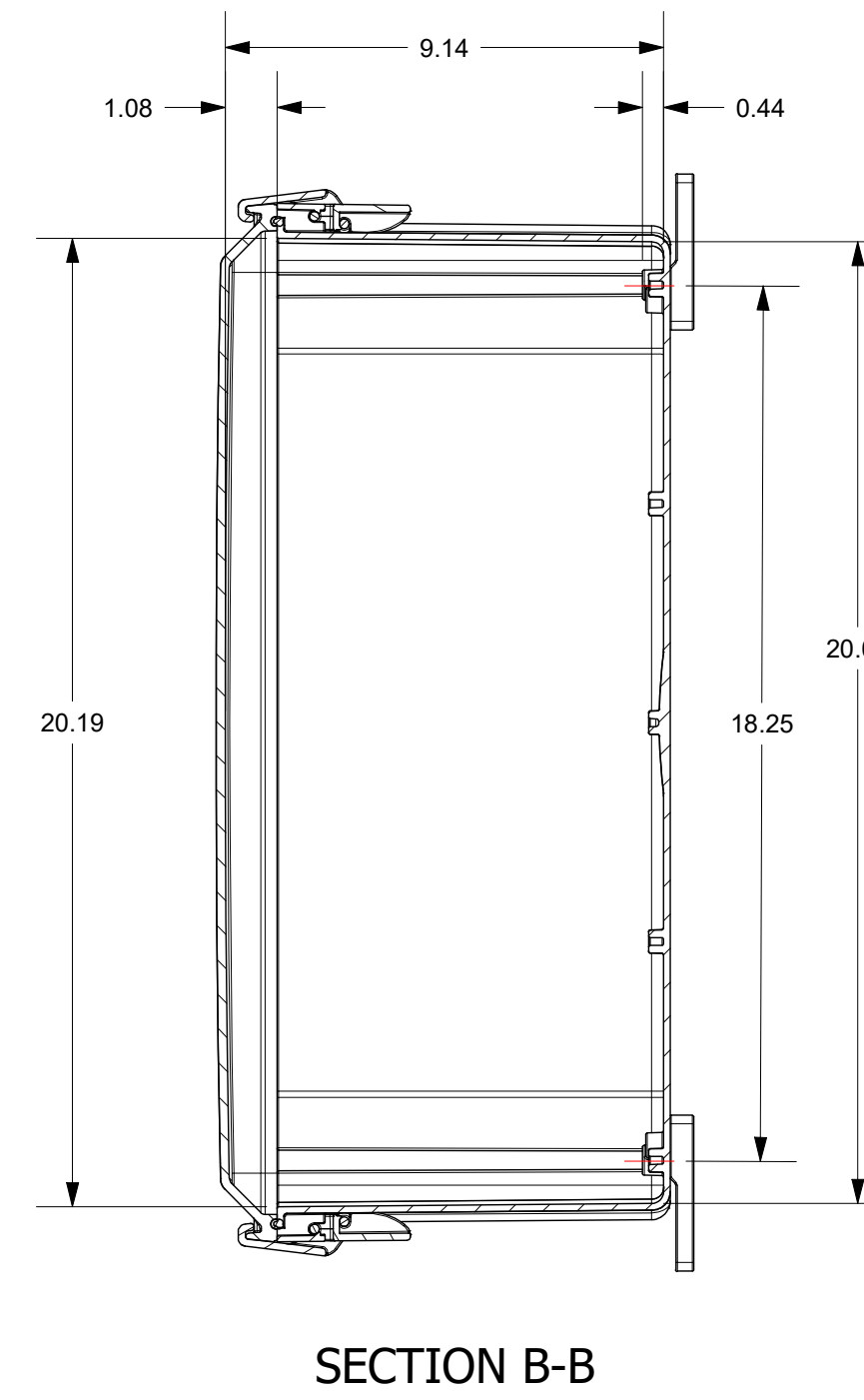
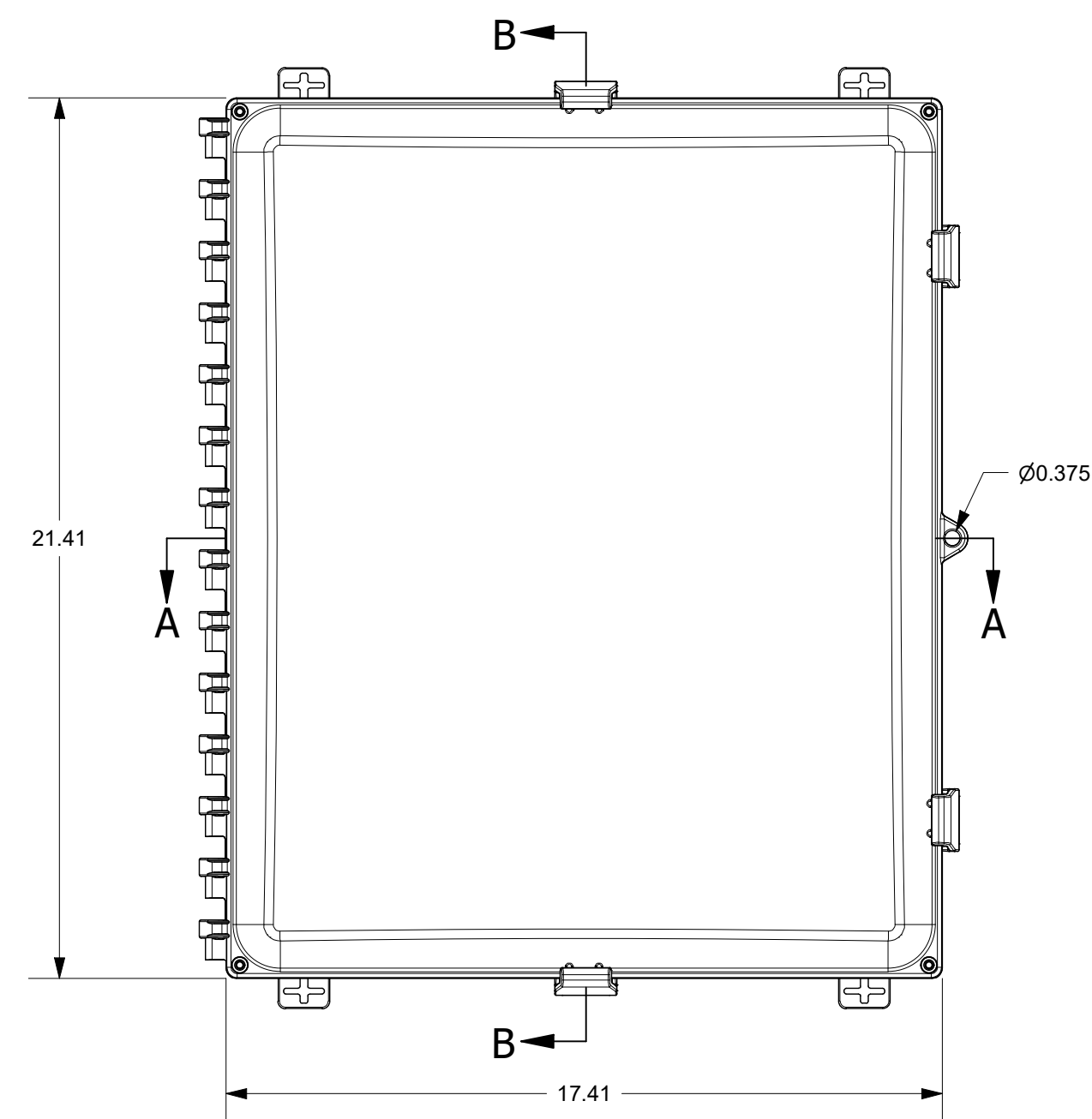
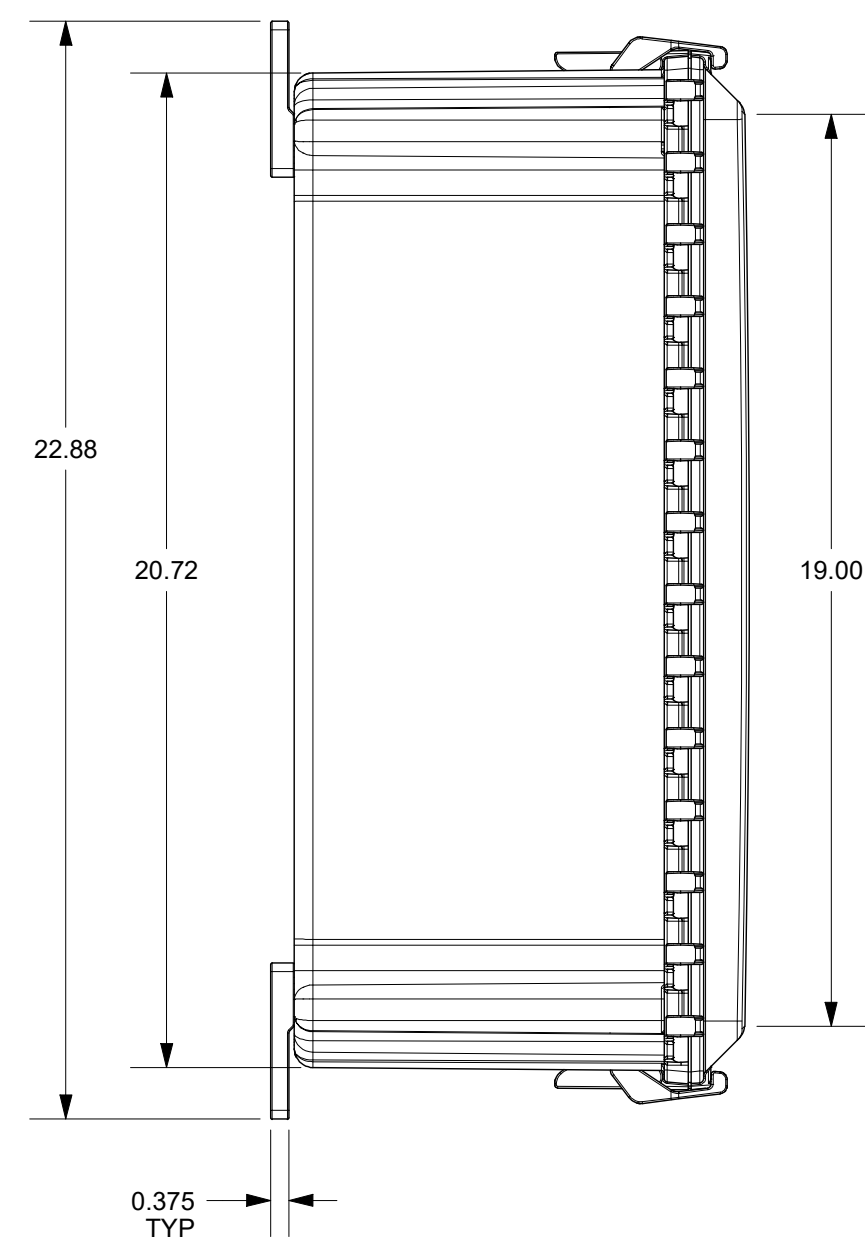



FOR REFERENCE ONLY  
MOUNTING FEET SHOWN AS INSTALLED



THIS DRAWING IS THE SOLE AND EXCLUSIVE PROPERTY OF ROBROY ENCLOSURES. NO PART OF THIS DRAWING MAY BE REPRODUCED, DISTRIBUTED, OR PUBLICALLY DISPLAYED IN ANY FORM OR BY ANY MEANS WITHOUT THE EXPRESS WRITTEN PERMISSION OF ROBROY ENCLOSURES. ALL RIGHTS RESERVED. UNDER THE COPYRIGHT LAWS. COPYRIGHT © 2017 ROBROY ENCLOSURES.

**SPECIAL REQUIREMENTS**

- ASSEMBLY:  
1. (1) POLYCARBONATE ACCESSORY KIT (WPPCACCKIT) SHALL BE PACKAGED LOOSELY INSIDE ENCLOSURE  
HARDWARE INCLUDED:  
-(4) 1/4-20 x 1/2 FLAT HEAD PHILLIPS MACHINE SCREW (RMSC14-20X.5FLPH)  
-(4) #10-32 x 5/8 PAN HEAD PHILLIPS MACHINE SCREW (RMSC1032X5/8SS)  
-(4) #10-32 x 3/8 PAN HEAD SCREW (RMSC1032X3/8ZN)  
-(4) #10 WASHER (RMWAS10ZN)  
2. (1) STYROFOAM SHEET SHALL BE PLACED ON TOP OF COVER INSIDE CARTON

NEMA 250: TYPE 1, 3R, 4, 4X, 12 IEC 60529: IP66		STANDARD P/N: PC2016CC	ALL DIMENSIONS ARE IN INCHES UNLESS OTHERWISE SPECIFIED		TOLERANCES UNLESS SPECIFIED	.XX ± 0.03	.XXX ± 0.010
COLOR: N/A COLOR STANDARD: PANTONE 7541 C		CUSTOMER DWG:	 <p><b>STAHLIN</b> A ROBROY ENCLOSURES™ BRAND</p> <p><i>Robroy Enclosures</i> 500 Maple Street Belding, Michigan 48809 Phone: 616-794-0700 Fax: 616-749-3378</p>				
MATERIAL: POLYCARBONATE							
REVISION HISTORY		DATE	ENG	DRAWN BY		DATE	CUSTOMER
REV	DESCRIPTION						DWG
-	UPDATED BOSS LOCATION FOR MOUNTING FEET TO MATCH STANDARD	9/1/2020	BH	DRH		09/26/17	PC2016CC
-	-	-	-	SCALE		-	PART NUMBER
-	-	-	-	DO NOT SCALE		-	FEPC2016CC
DESCRIPTION		STANDARD ENCLOSURE		PART NUMBER		FEPC2016CC	