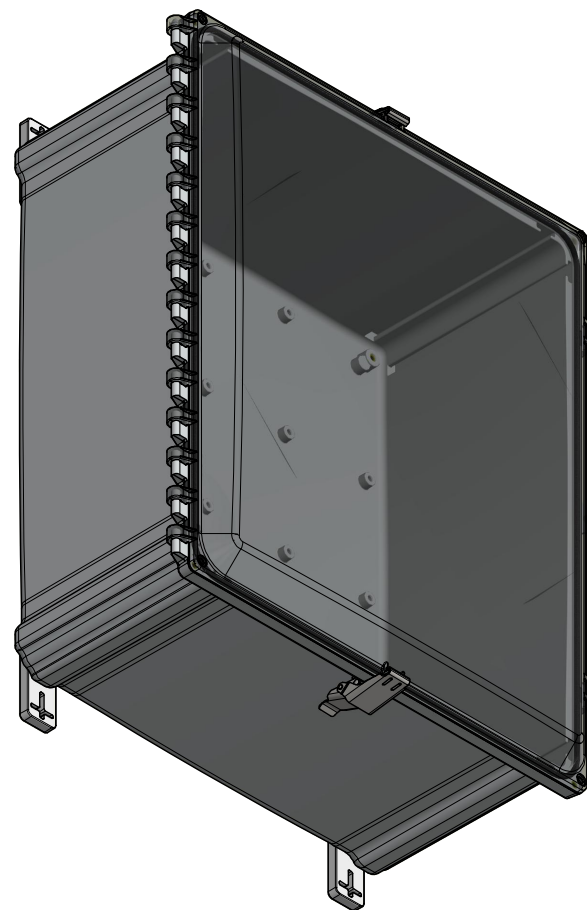
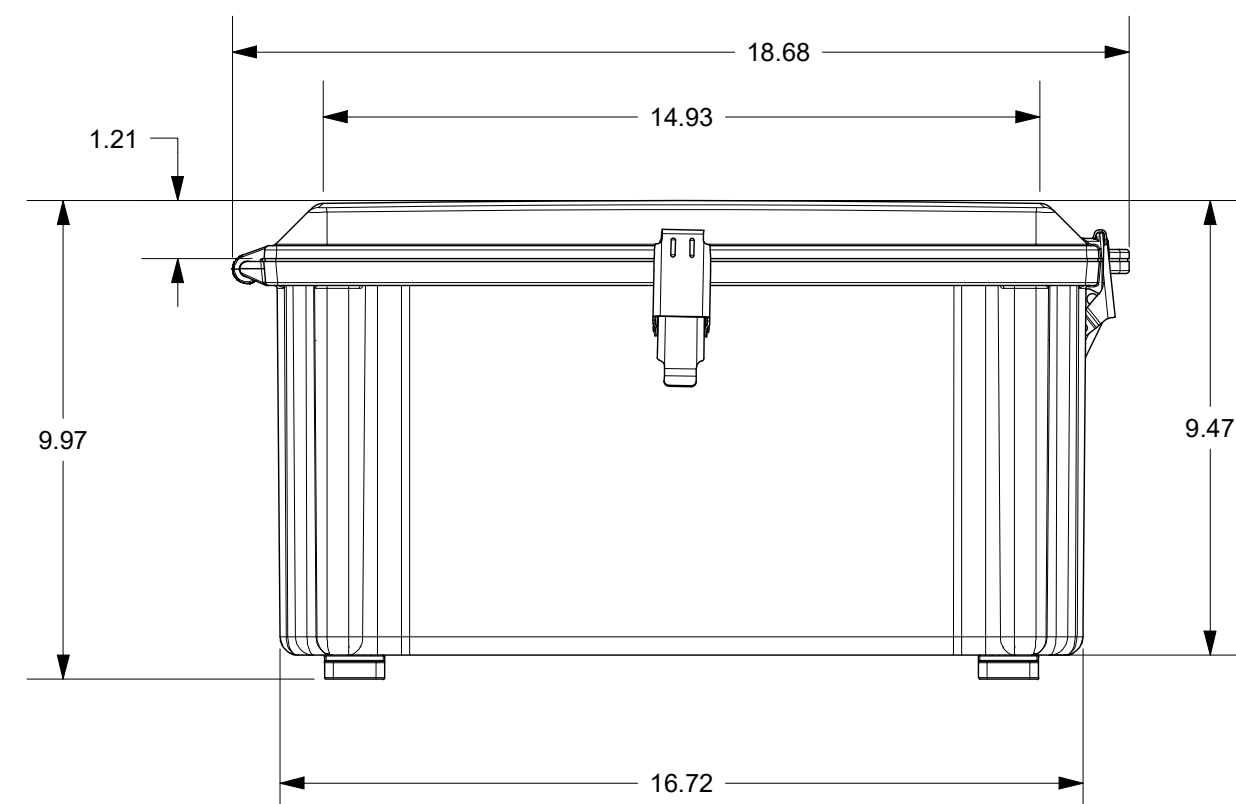
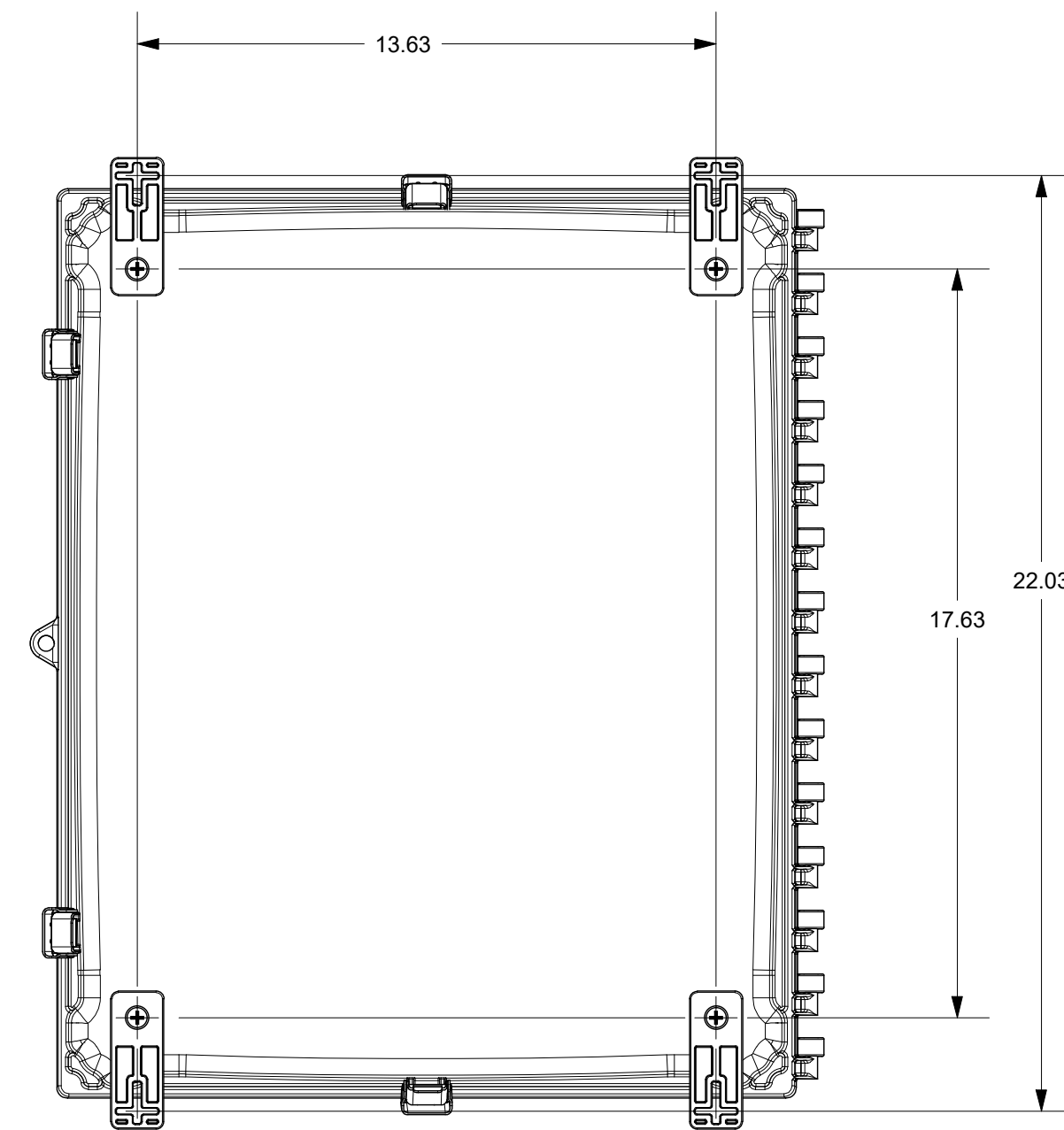
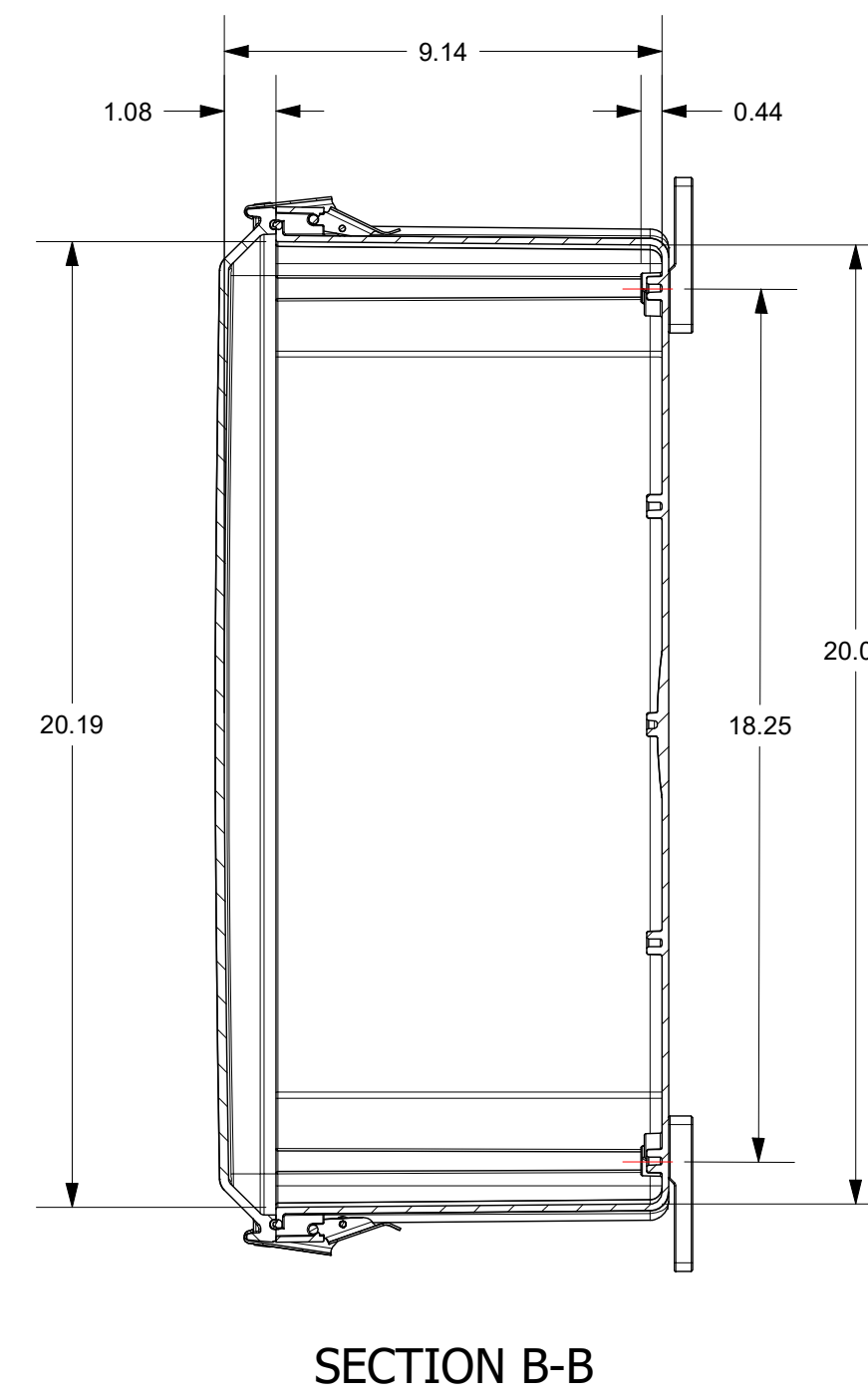
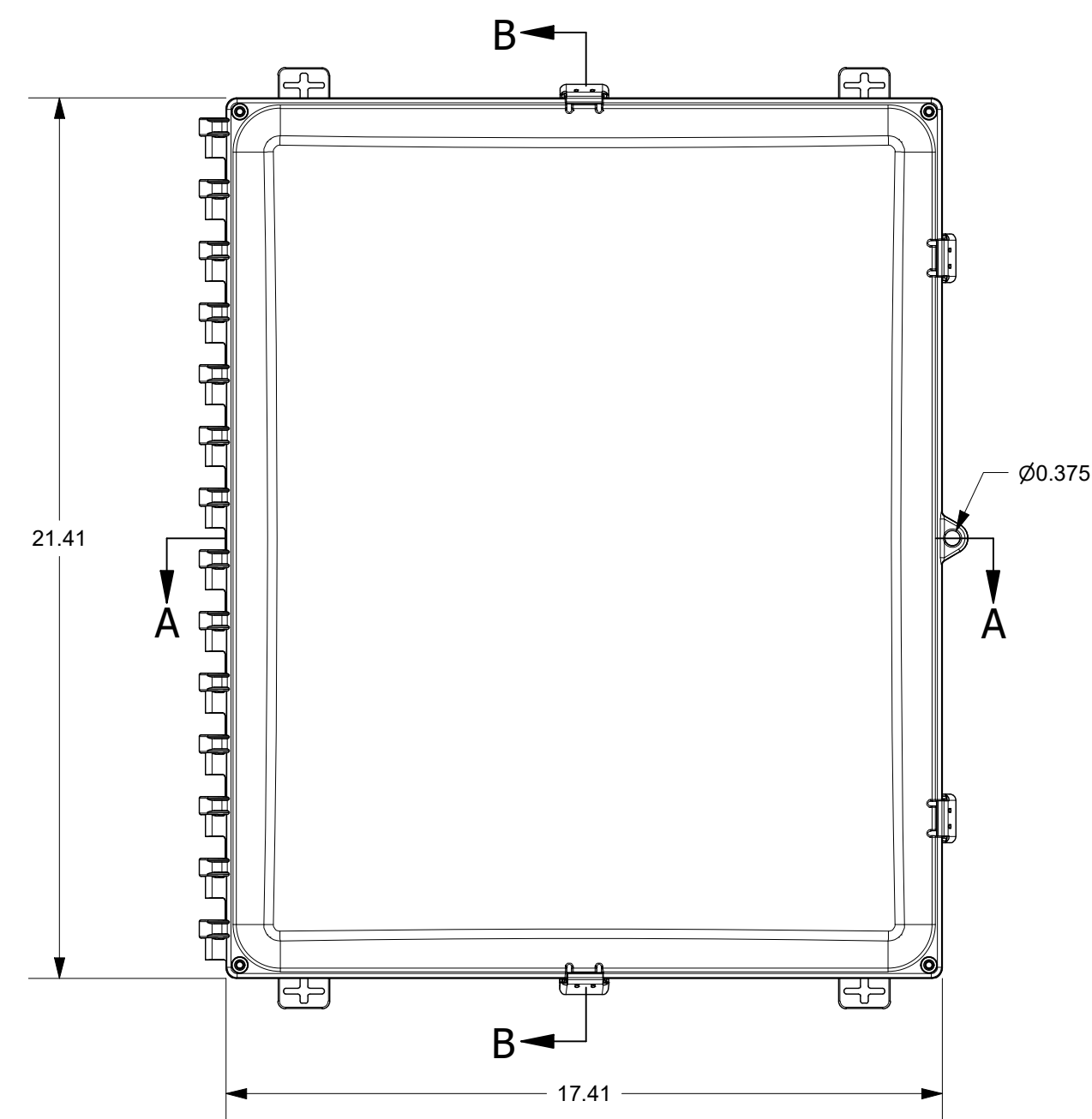
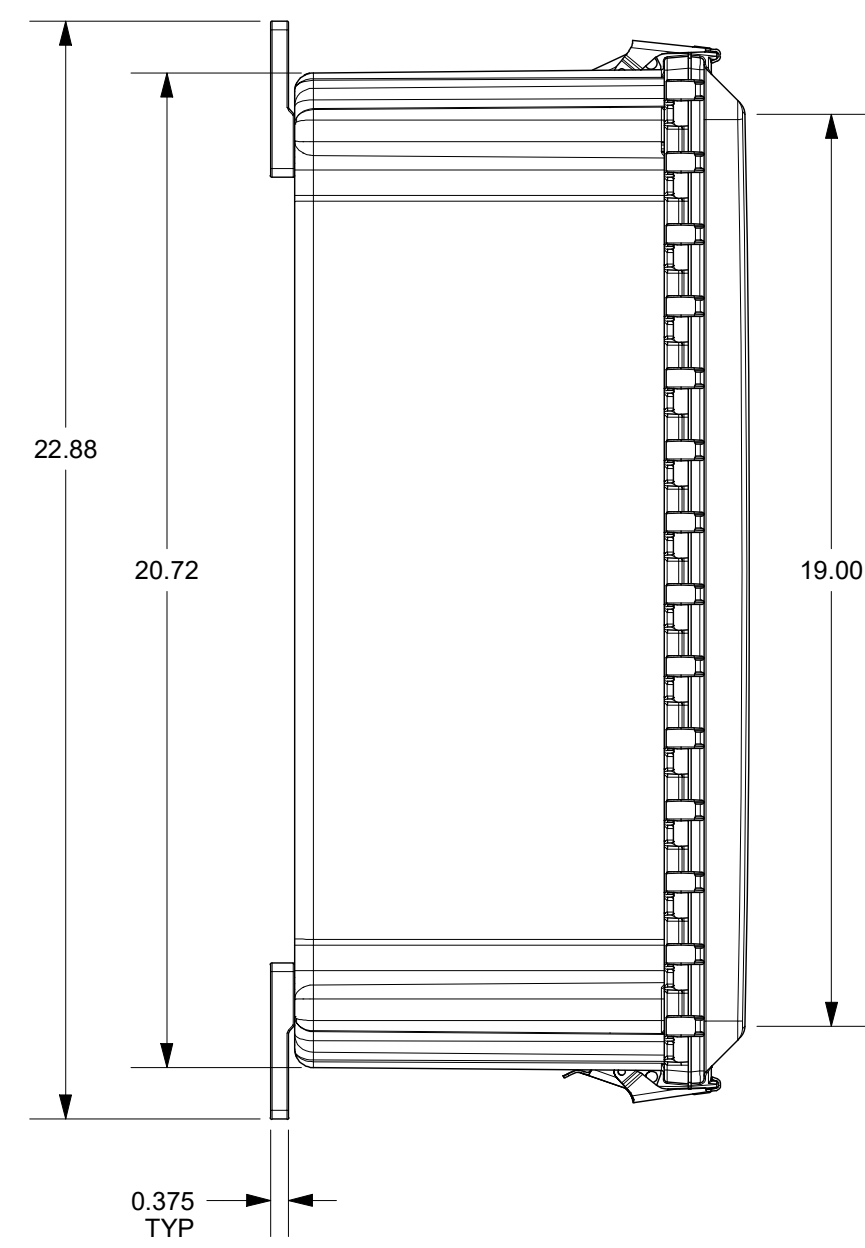


FOR REFERENCE ONLY
MOUNTING FEET SHOWN AS INSTALLED



THIS DRAWING IS THE SOLE AND EXCLUSIVE PROPERTY OF ROBROY ENCLOSURES. NO PART OF THIS DRAWING MAY BE REPRODUCED, DISTRIBUTED, OR PUBLICALLY DISPLAYED IN ANY FORM OR BY ANY MEANS WITHOUT THE EXPRESS WRITTEN PERMISSION OF ROBROY ENCLOSURES. ALL RIGHTS RESERVED. UNDER THE COPYRIGHT LAWS. COPYRIGHT © 2020 ROBROY ENCLOSURES.

SPECIAL REQUIREMENTS
 1. (1) POLYCARBONATE ACCESSORY KIT (WPPCACCKIT) SHALL BE PACKAGED LOOSELY INSIDE ENCLOSURE.
 HARDWARE INCLUDED:
 - (4) #14-20 x 1/2 FLAT HEAD PHILLIPS MACHINE SCREW (RMSC114-20X.5FLPH)
 - (4) #10-32 x 3/8 PAN HEAD PHILLIPS MACHINE SCREW (RMSC10/32X5/8SS)
 - (4) #10-32 x 3/8 PAN HEAD SCREW (RMSC10/32X3/8ZN)
 - (4) #10 WASHER (RMWAS10ZN)
 2. (1) STYROFOAM SHEET SHALL BE PLACED ON TOP OF COVER INSIDE CARTON

NEMA 250: TYPE 1, 3R, 4, 4X, 12
 IEC 60529: IP66
 COLOR: N/A
 COLOR STANDARD: PANTONE 7541 C

STANDARD P/N: PC2016CCSS
 CUSTOMER DWG:

ALL DIMENSIONS ARE IN INCHES UNLESS OTHERWISE SPECIFIED
 TOLERANCES UNLESS SPECIFIED .XX ± 0.03 .XXX ± 0.010

REV	DESCRIPTION	DATE	ENG
-	-	-	-
-	-	-	-
-	-	-	-
-	-	-	-

STAHLIN A ROBROY ENCLOSURES™ BRAND		Robroy Enclosures 500 Maple Street Belding, Michigan 48809 Phone: 616-794-0700 Fax: 616-749-3378	
DRAWN BY BH	DATE 9/22/2020	CUSTOMER	DWG PC2016CCSS
SCALE DO NOT SCALE	DESCRIPTION STANDARD ENCLOSURE	PART NUMBER FEPC2016CCSS	