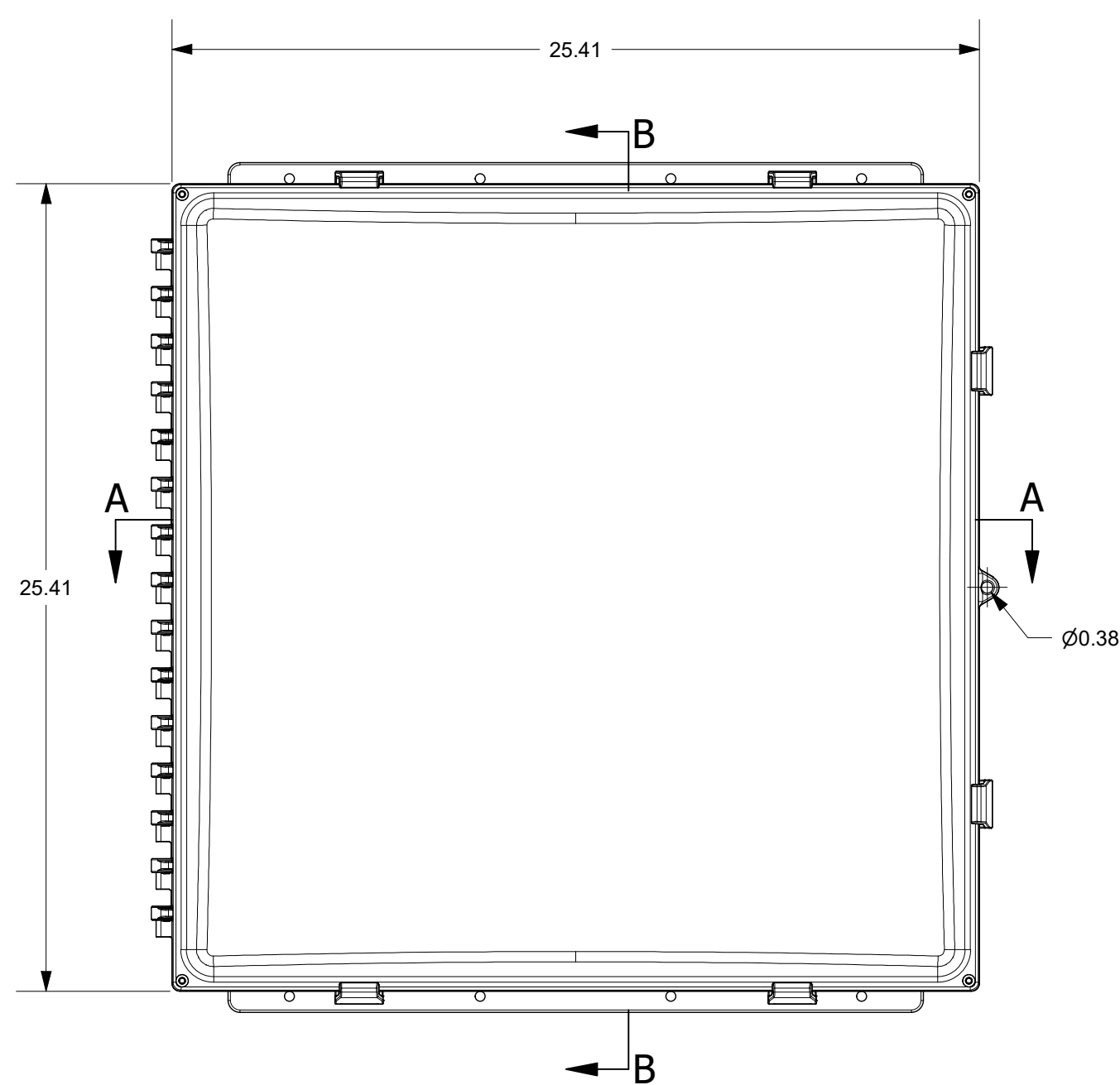
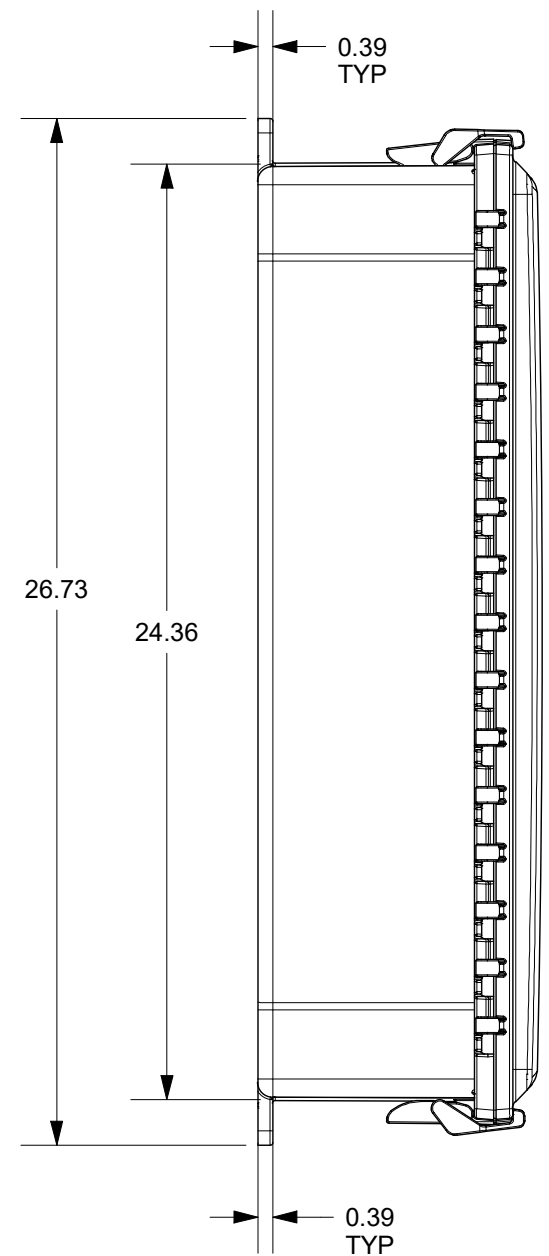
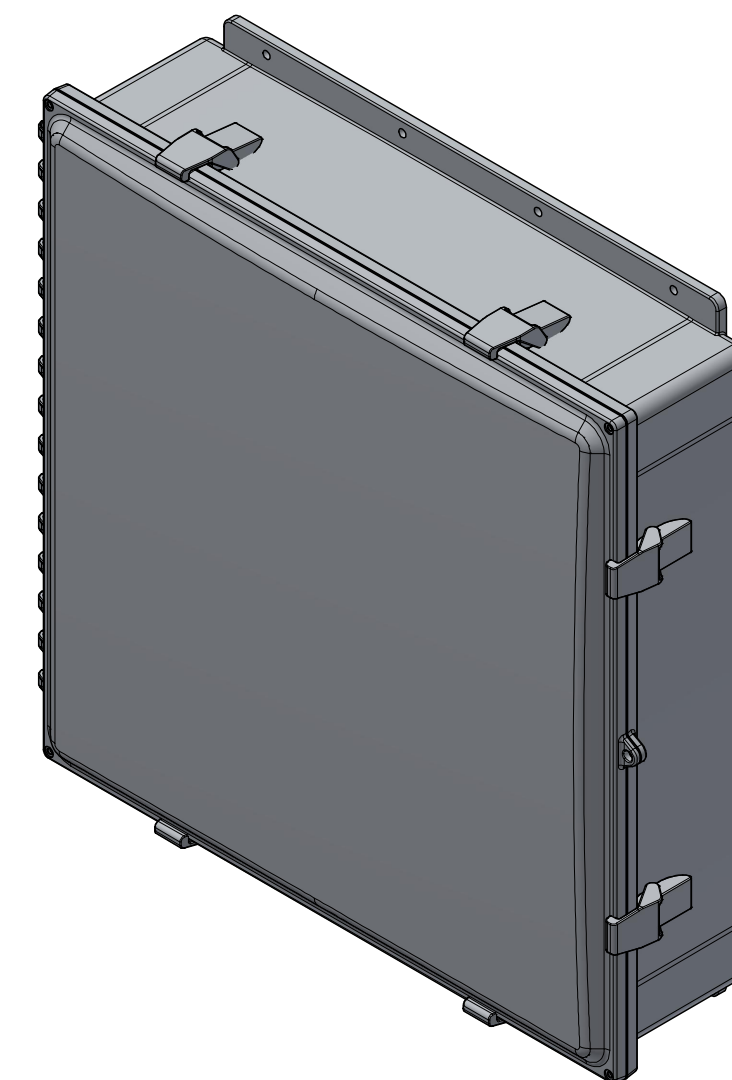
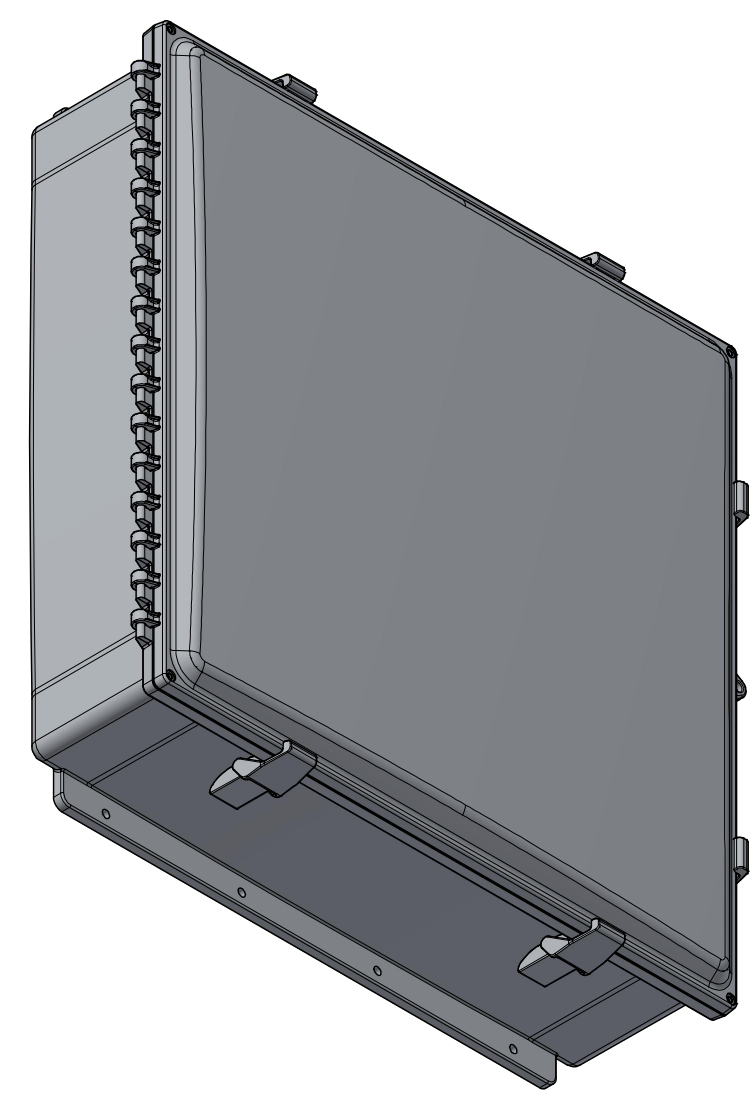
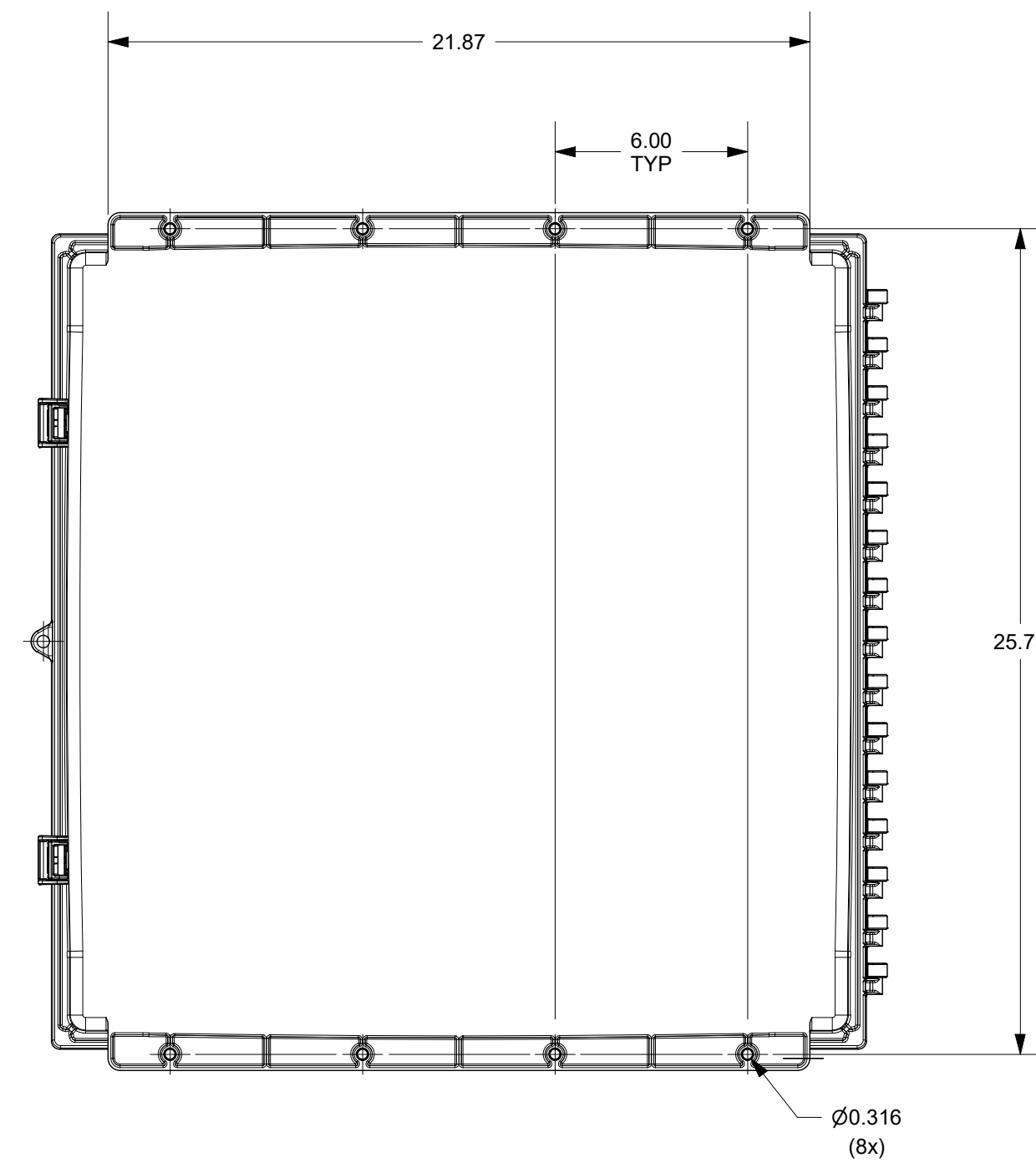
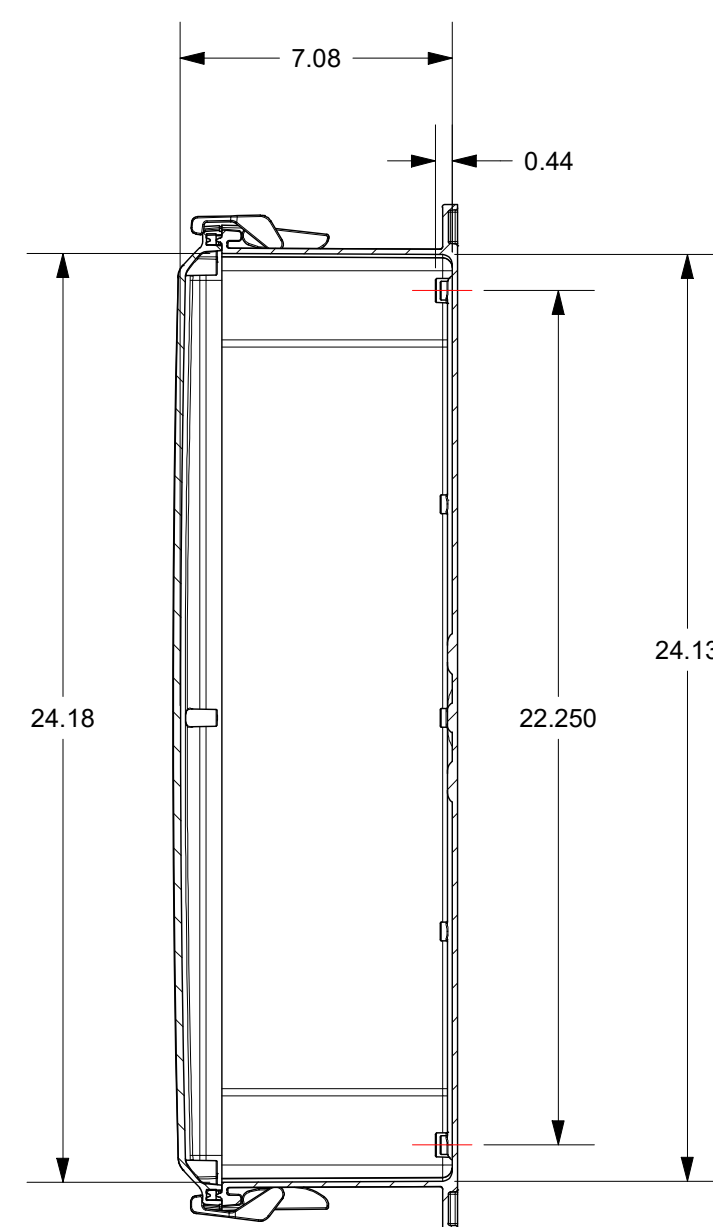


SECTION A-A



SECTION B-B



THIS DRAWING IS THE SOLE AND EXCLUSIVE PROPERTY OF ROBROY ENCLOSURES. NO PART OF THIS DRAWING MAY BE REPRODUCED, DISTRIBUTED, OR PUBLICALLY DISPLAYED IN ANY FORM OR BY ANY MEANS WITHOUT THE EXPRESS WRITTEN PERMISSION OF ROBROY ENCLOSURES. ALL RIGHTS RESERVED. UNDER THE COPYRIGHT LAWS. COPYRIGHT © 2023 ROBROY ENCLOSURES.

- SPECIAL REQUIREMENTS**
- ASSEMBLY:**
- (1) ACCESSORY KIT WITHOUT MOUNTING FEET (WPPCACCKITNOFT) SHALL BE PACKAGED LOOSELY INSIDE ENCLOSURE
 - (1) STYROFOAM SHEET SHALL BE PLACED ON TOP OF COVER INSIDE CARTON

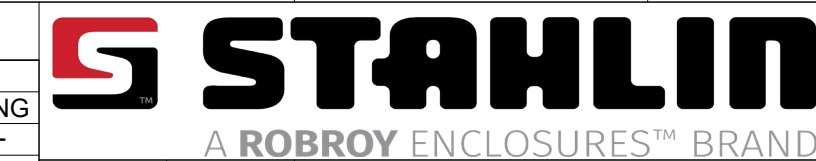
NEMA 250: TYPE 1, 3R, 4, 4X, 6P, 12
IEC 60529: IP66, IP68
COLOR: N/A
COLOR STANDARD: PANTONE 7541 C

STANDARD P/N: PC242406
CUSTOMER DWG:

ALL DIMENSIONS ARE IN INCHES UNLESS OTHERWISE SPECIFIED

TOLERANCES UNLESS SPECIFIED .XX ± 0.03 .XXX ± 0.010

REVISION HISTORY			
REV	DESCRIPTION	DATE	ENG
-	-	-	-
-	-	-	-
-	-	-	-
-	-	-	-
-	-	-	-
-	-	-	-



Robroy Enclosures
500 Maple Street
Belding, Michigan 48809
Phone: 616-794-0700
Fax: 616-749-3378

DRAWN BY AA	DATE 2/8/23	CUSTOMER	DWG PC242406
SCALE DO NOT SCALE	DESCRIPTION STANDARD ENCLOSURE	PART NUMBER FEPC242406	