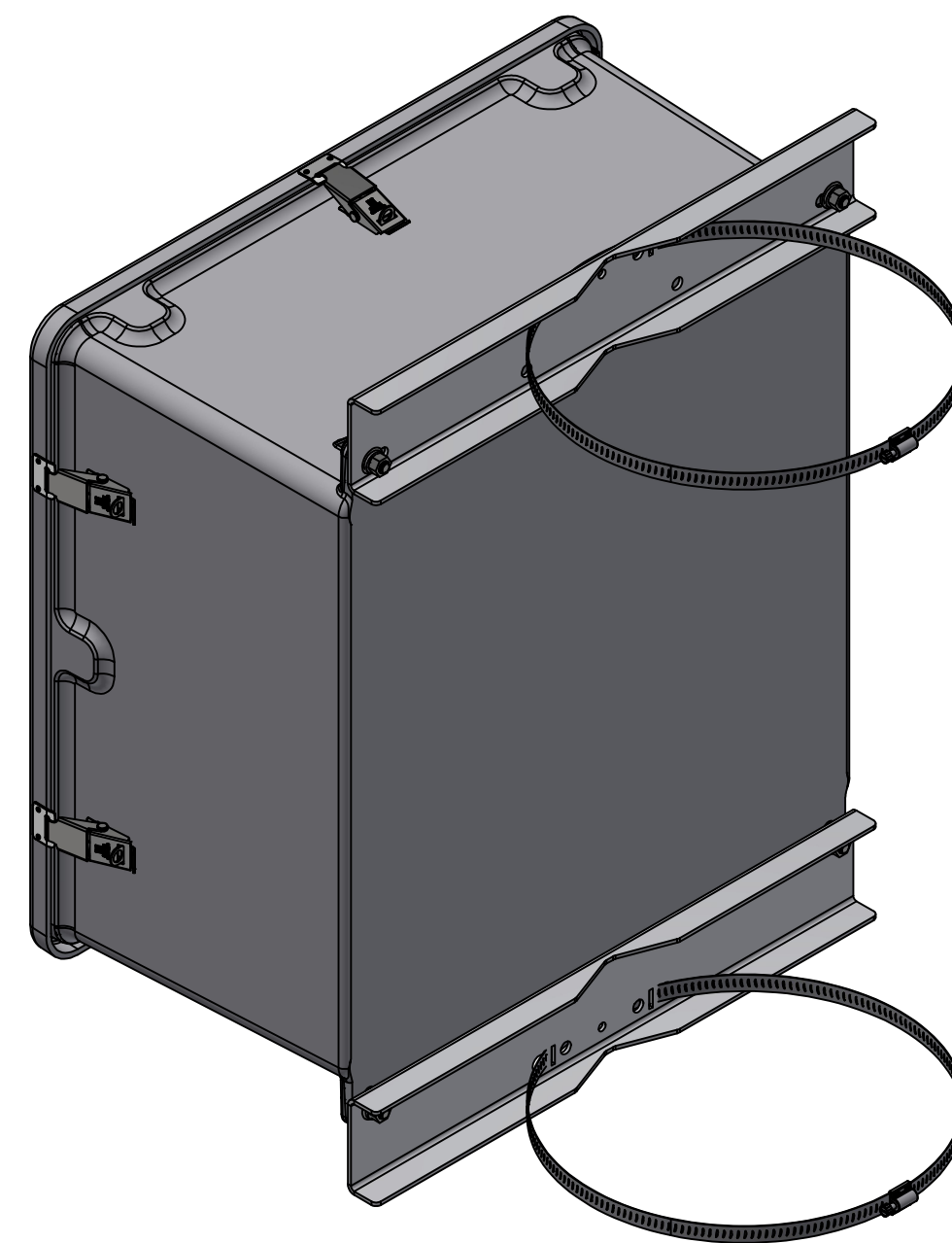
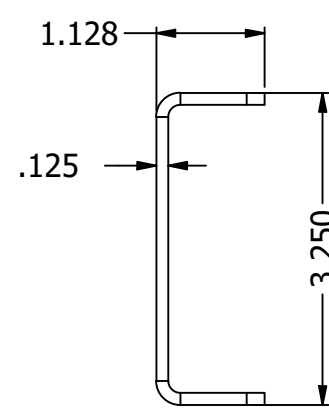
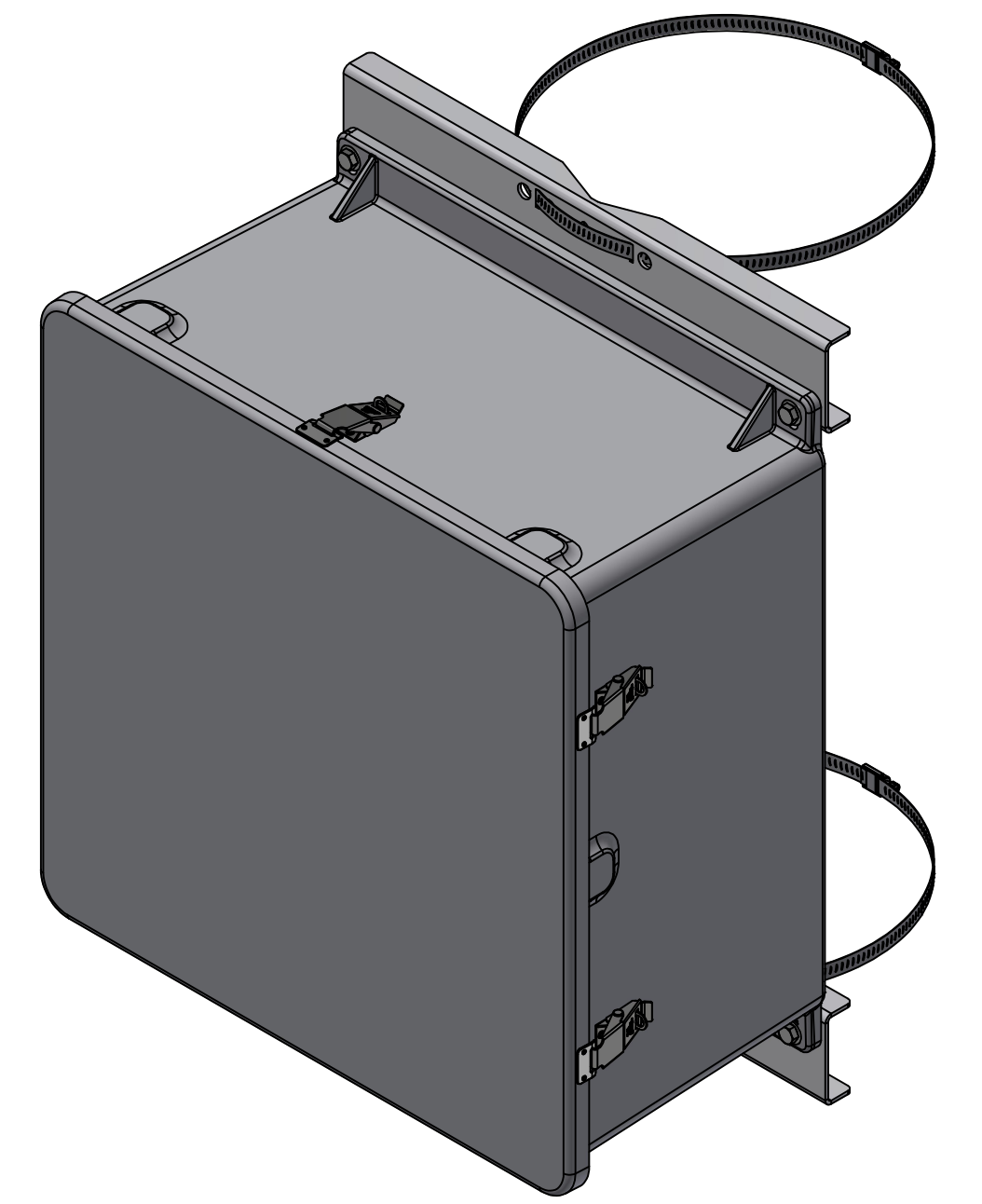


BRACKET



ENCLOSURE SHOWN FOR REFERENCE ONLY



ENCLOSURE SHOWN FOR REFERENCE ONLY

PARTS LIST			
ITEM	QTY	PART NUMBER	DESCRIPTION
1	2	RMHC9/16SS	WORM DRIVE CLAMP
2	2	RMPM20AL	MOUNTING BRACKET
3	4	RMSC3/8-16X1-1/4CS	3/8-16 HEX HEAD CAP SCREW
4	8	RMWAS3/8	3/8 WASHER
5	4	RMWAS3-8L	3/8 LOCK WASHER
6	4	RMNUT3/8-16	3/8-16 NUT

THE INFORMATION CONTAINED IN THIS DRAWING IS THE SOLE PROPERTY OF ROBROY INDUSTRIES. ANY REPRODUCTION IN PART OR WHOLE WITHOUT THE WRITTEN PERMISSION OF ROBROY INDUSTRIES IS PROHIBITED. ALL RIGHTS RESERVED UNDER THE COPYRIGHT LAWS. COPYRIGHT © 2024, ROBROY INDUSTRIES. ROBROY INDUSTRIES VALUES AND PROTECTS ITS INTELLECTUAL PROPERTY. FOR MORE INFORMATION VISIT www.robroy.com/patents

SPECIAL REQUIREMENTS
FINISH
 1. POWDER COAT - APPLIANCE WHITE
ASSEMBLY
 1. PACK AND SEAL HARDWARE IN RM4X6BAG: SCREWS, WASHERS & NUTS
 2. PACK AND SEAL KIT IN POLYTUBE: BRACKETS, WORM DRIVE CLAMPS, ASSEMBLED HARDWARE KIT, AND INSTRUCTION SHEET
 3. BULK PACK POLE MOUNT KITS IN SHIPPING CARTON AS NEEDED

NEMA 250 TYPE	N/A	IEC 60529	N/A	STANDARD PIN	PM18-24AL	ALL DIMENSIONS ARE IN INCHES UNLESS OTHERWISE SPECIFIED	TOLERANCES UNLESS SPECIFIED	XX ± 0.03	XXX ± 0.010
COLOR	APPLIANCE WHITE	COLOR STANDARD	N/A	CUSTOMER DWG.	N/A				
MATERIAL	ALUMINUM .125" THICK								
REVISION HISTORY									
REV	DESCRIPTION	DATE	ENG						
A	BOM UPDATES PER ECRRRL33850	10/31/24	BH						
-	-	-	-						
-	-	-	-						

STÄHLIN
 A ROBROY ENCLOSURES™ BRAND

Robroy Enclosures
 500 Maple Street
 Belding, Michigan 48809
 Phone: 616-794-0700
 Fax: 616-749-3378

DRAWN BY: BH
 DATE: 11/1/24
 CUSTOMER: ROBROY
 DRAWING: N/A

SCALE: DO NOT SCALE
 DESCRIPTION: POLE MOUNT BRACKET
 PART NUMBER: FEPMJ18-24AL