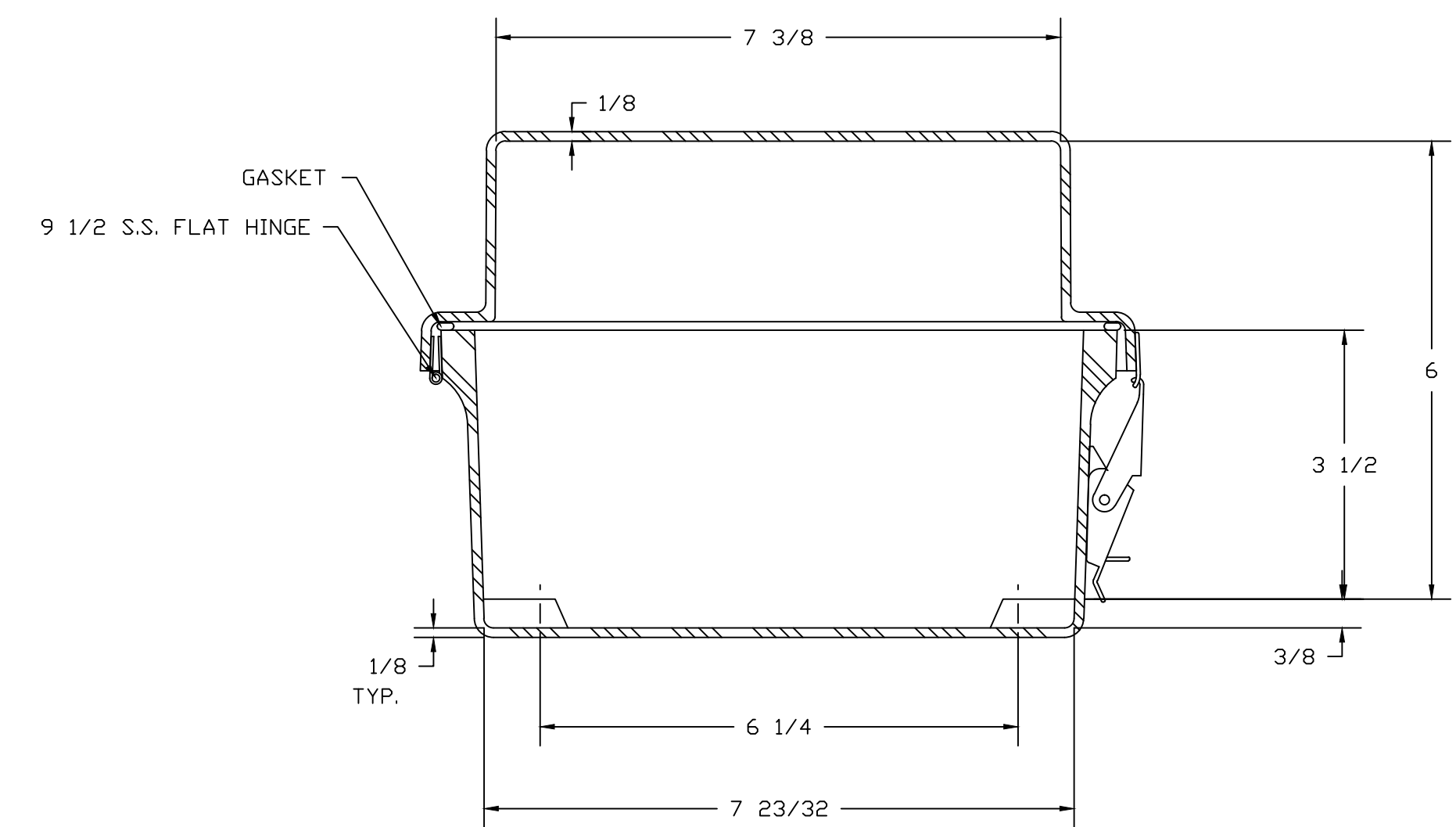
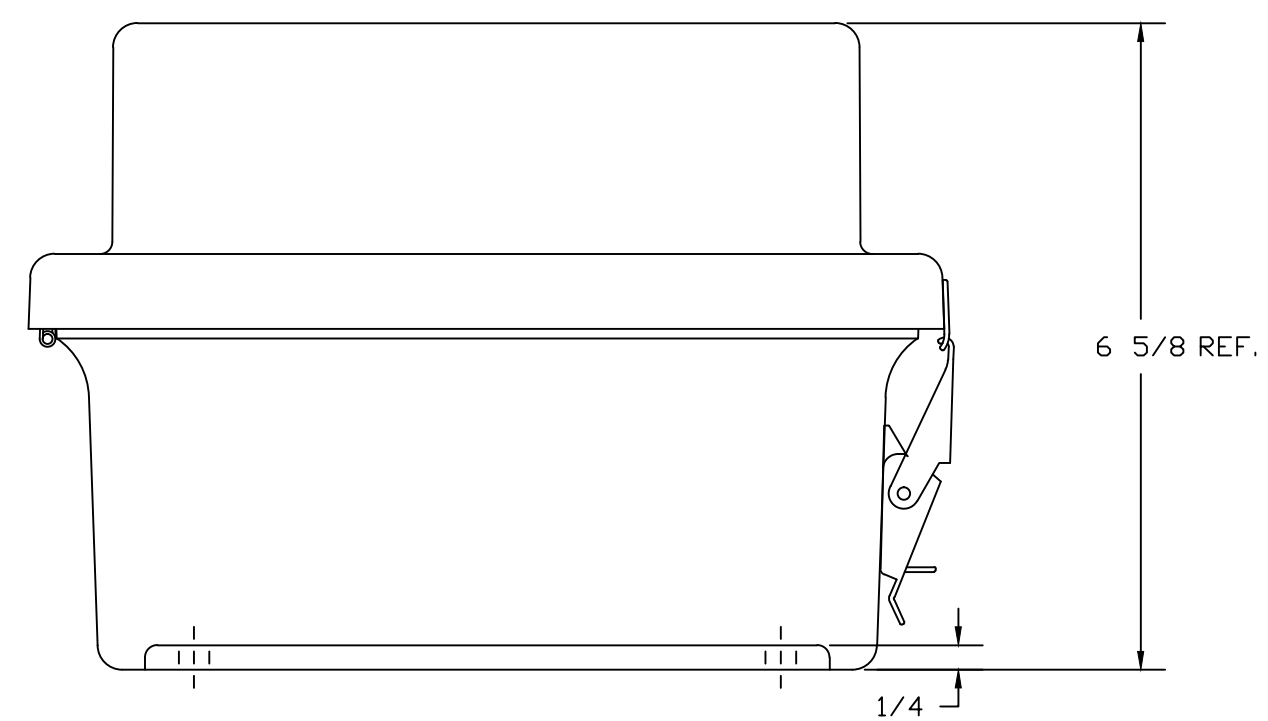



SECTION B-B



SECTION A-A

NEMA 4X				TOLERANCES UNLESS SPECIFIED		DECIMAL ± .010	FRACTIONAL ± 1/32
COLOR: GLACIER GRAY RR3013							
MATERIAL		DR. BY	DATE	 <b>STAHLIN ENCLOSURES</b> DIVISION OF ROBROY INDUSTRIES			
F.R. POLYESTER FIBERGLASS		SH	3/28/91				
LET.	REVISION RECORD	DATE	BY	CHK. BY	DATE	BELDING, MICHIGAN 48809	
				APD. BY	DATE	CUSTOMER	
				SCALE		PART NAME	PART NO.
				DO NOT SCALE		ENCLOSURE	RJ1008HPL

AutoCAD DWG FILE RJ1008HPL