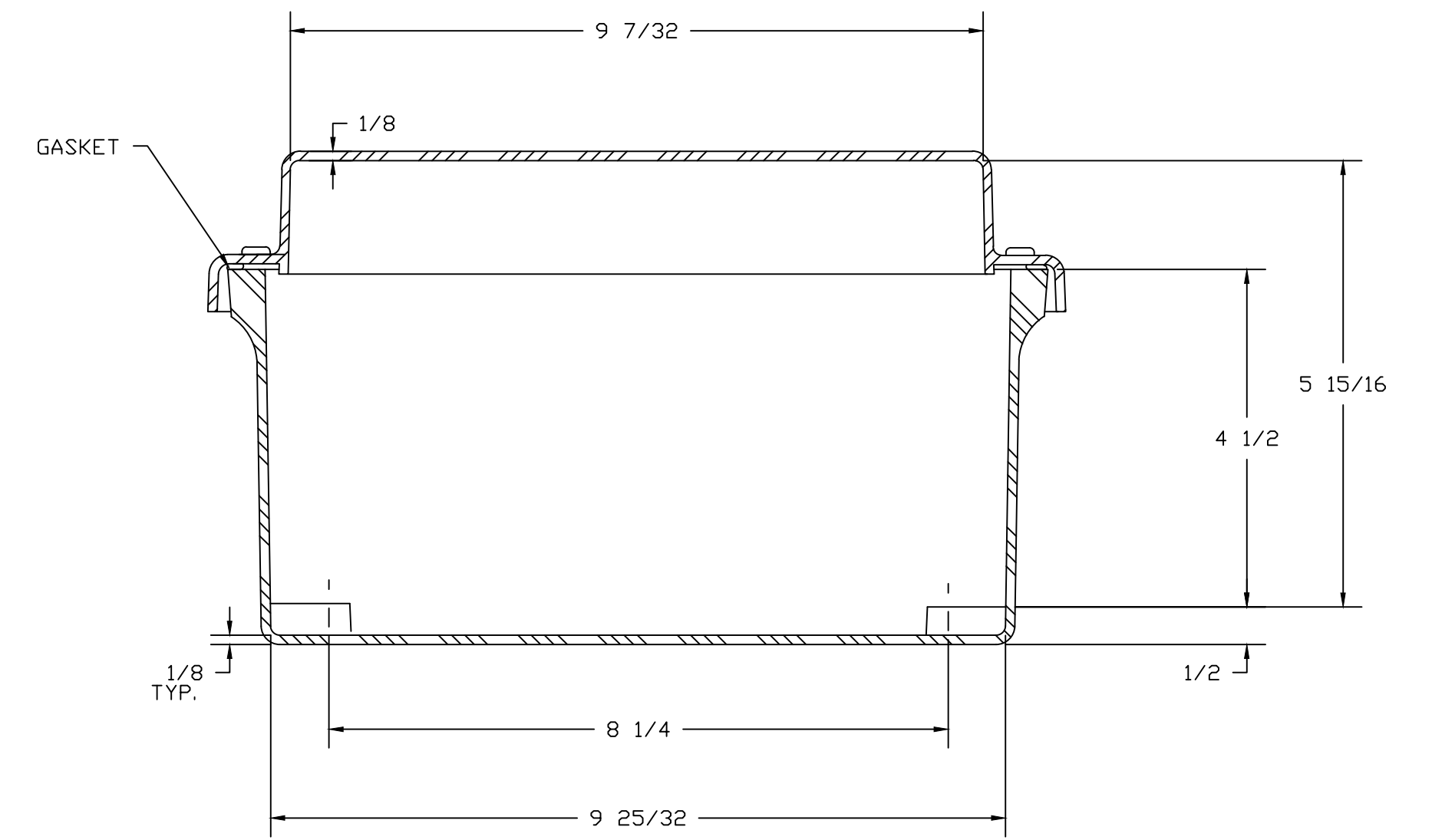
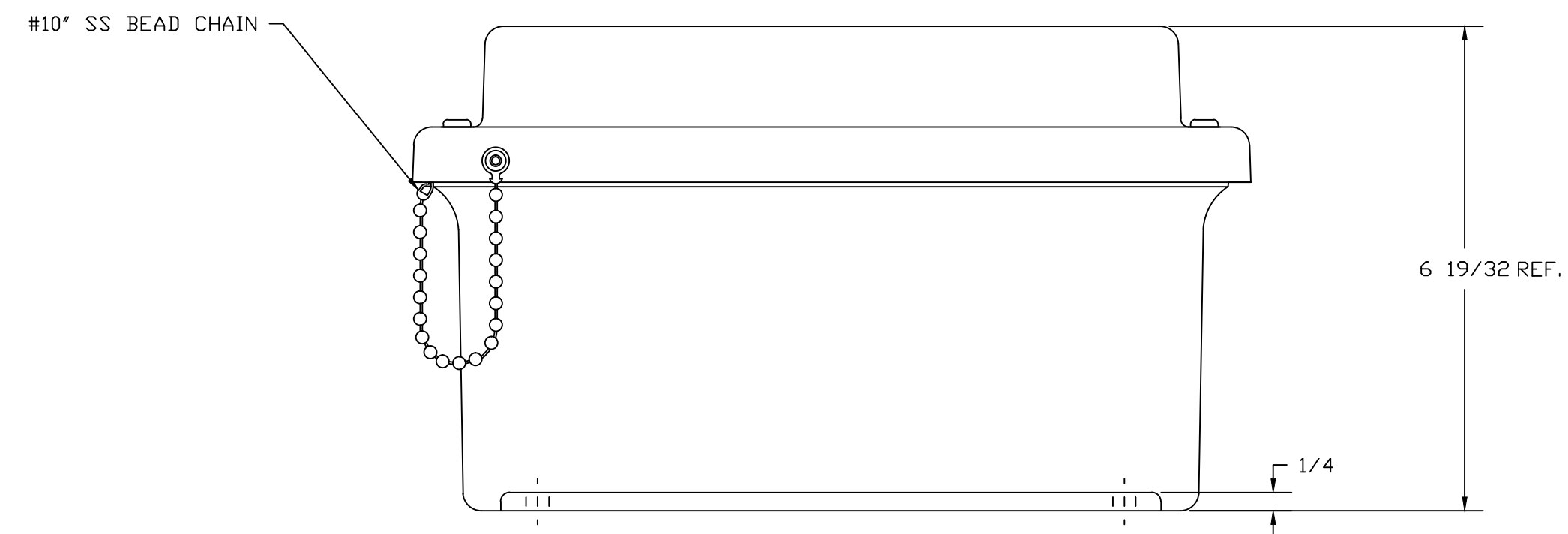



SECTION B-B



SECTION A-A

NOTES:

NEMA 4X		TOLERANCES UNLESS SPECIFIED		DECIMAL $\pm .010$	FRACTIONAL $\pm 1/32$
COLOR GLACIER GRAY RR1013					
MATERIAL	F.R. POLYESTER FIBERGLASS	DR. BY	SH	DATE	6/4/91
LET.	REVISION RECORD	DATE	BY	CHK. BY	CHD.
		APD. BY	DATE		
		SCALE		PART NAME	PART NO.
		DO NOT SCALE		ENCLOSURE	RJ1210W



**STAHLIN**  
ENCLOSURES  
DIVISION OF ROBROY INDUSTRIES

BELDING, MICHIGAN 48809

AutoCAD DWG. FILE  
RJ1210W