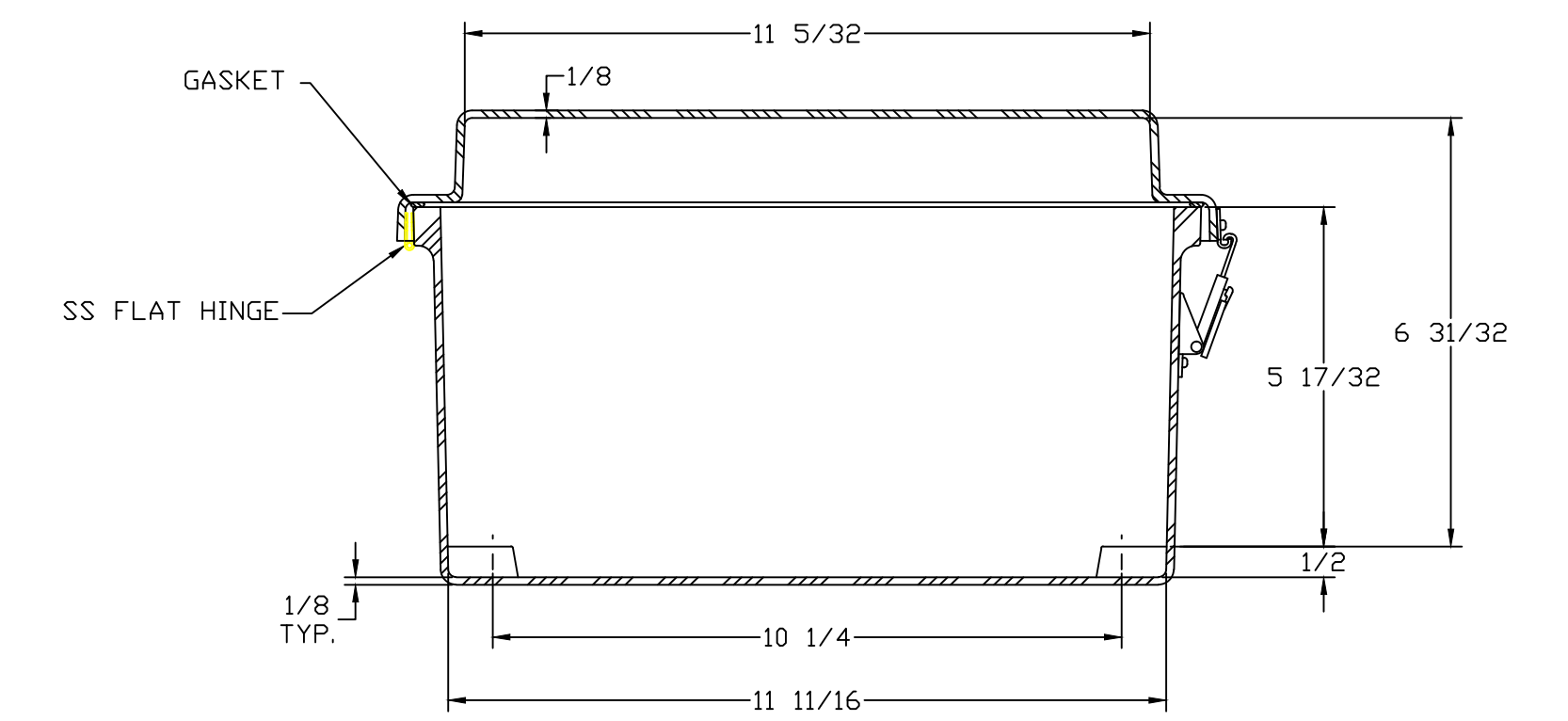
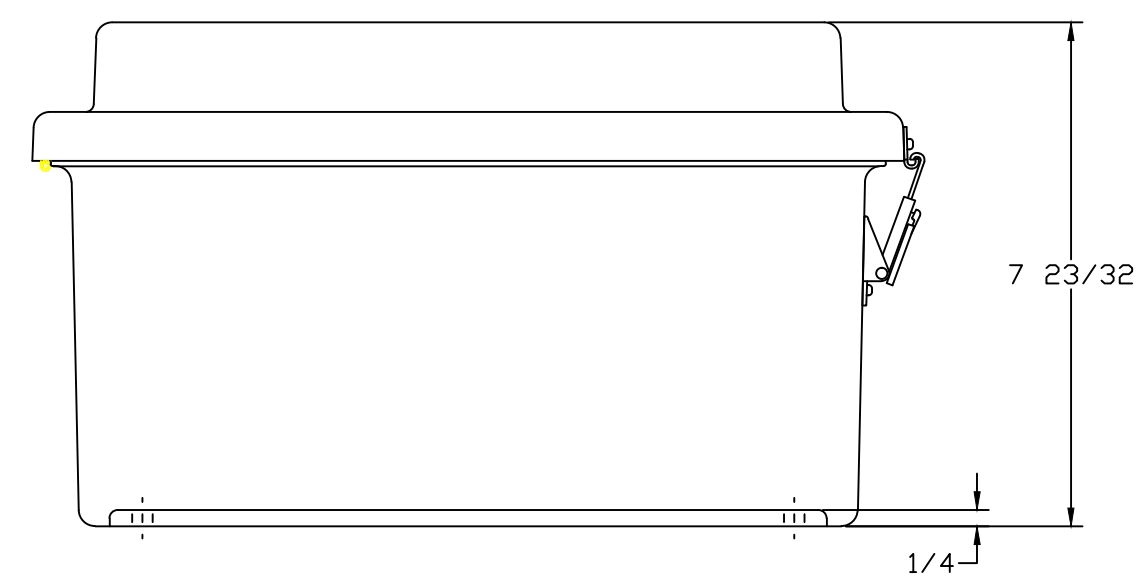



SECTION B-B



SECTION A-A

NOTES:

| | | | | | |
|----------------------------|---------------------------|---|--------------|--|-------------------|
| COLOR: GLACIER GRAY RR3013 | | TOLERANCES UNLESS SPECIFIED | | DECIMAL ± .010 | FRACTIONAL ± 1/32 |
| NEMA 1, 3R, 4X, 6P, 12 | | | | | |
| MATERIAL | F.R. POLYESTER FIBERGLASS | DR. BY | ZJB | DATE | 7/3/04 |
| LET. | REVISION RECORD | DATE | BY | CHK. BY | CHD. |
| | | APD. BY | | DATE | |
| | | SCALE | DO NOT SCALE | PART NAME | ENCLOSURE |
| | |  | | BELDING, MICHIGAN 48809 AutoCAD DWG. FILE RJ1212HLL | |
| | | | | PART NO. | RJ1212HLL |