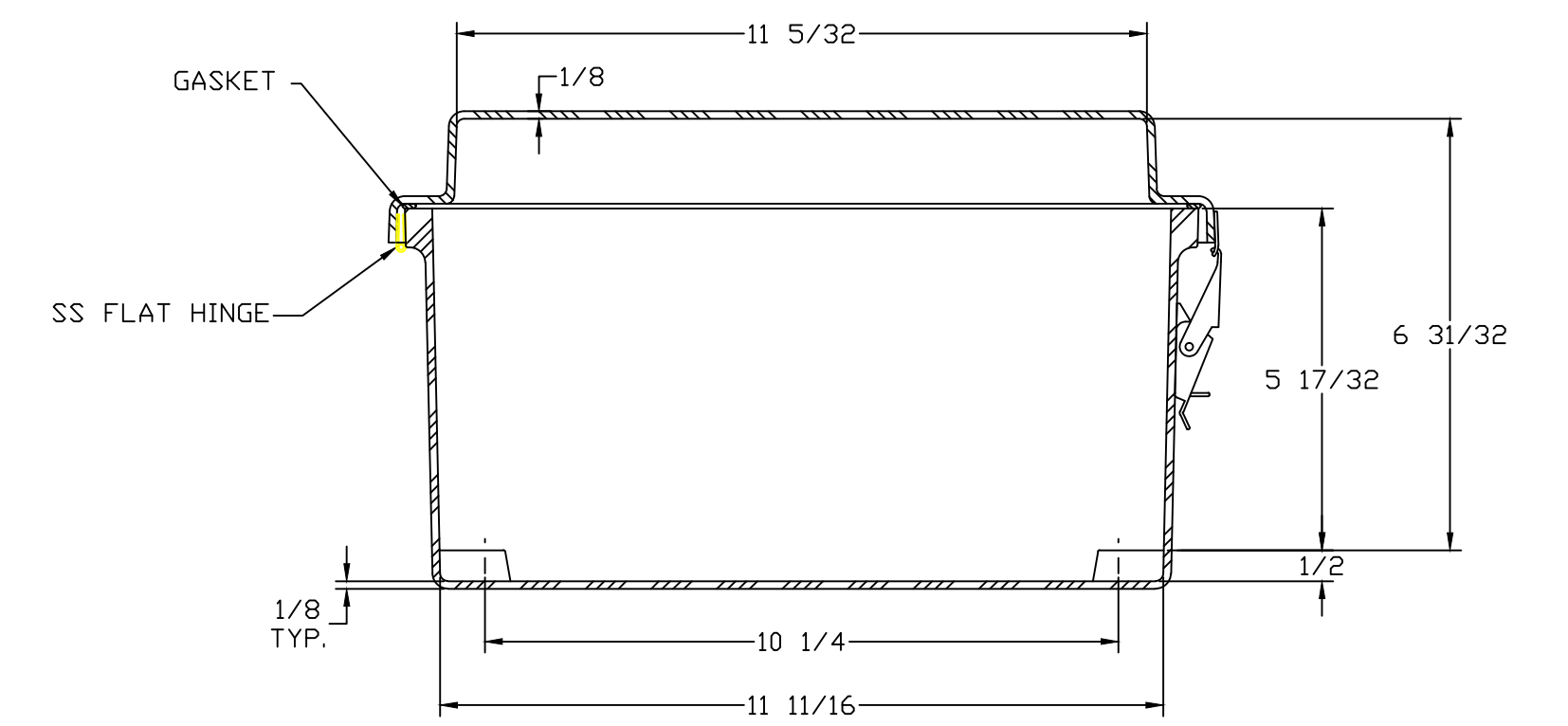
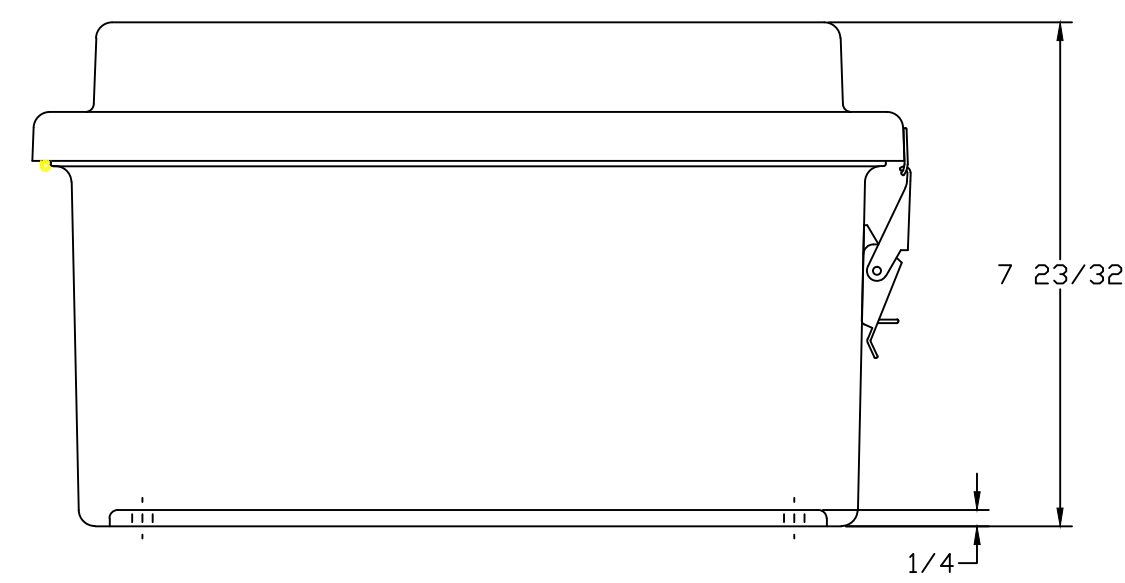


SECTION B-B



SECTION A-A

NOTES:

COLOR: GLACIER GRAY RR3013		TOLERANCES UNLESS SPECIFIED		DECIMAL ± .010	FRACTIONAL ± 1/32
NEMA 1, 3R, 4X, 6P, 12					
MATERIAL	F.R. POLYESTER FIBERGLASS	DR. BY	ZJB	DATE	7/3/04
LET.	REVISION RECORD	DATE	BY	CHK. BY	CHD.
SCALE		PART NAME		PART NO.	
DO NOT SCALE		ENCLOSURE		RJ1212HPL	



BELDING, MICHIGAN 48809

DIVISION OF ROBBY INDUSTRIES

AutoCAD DWG FILE RJ1212HPL