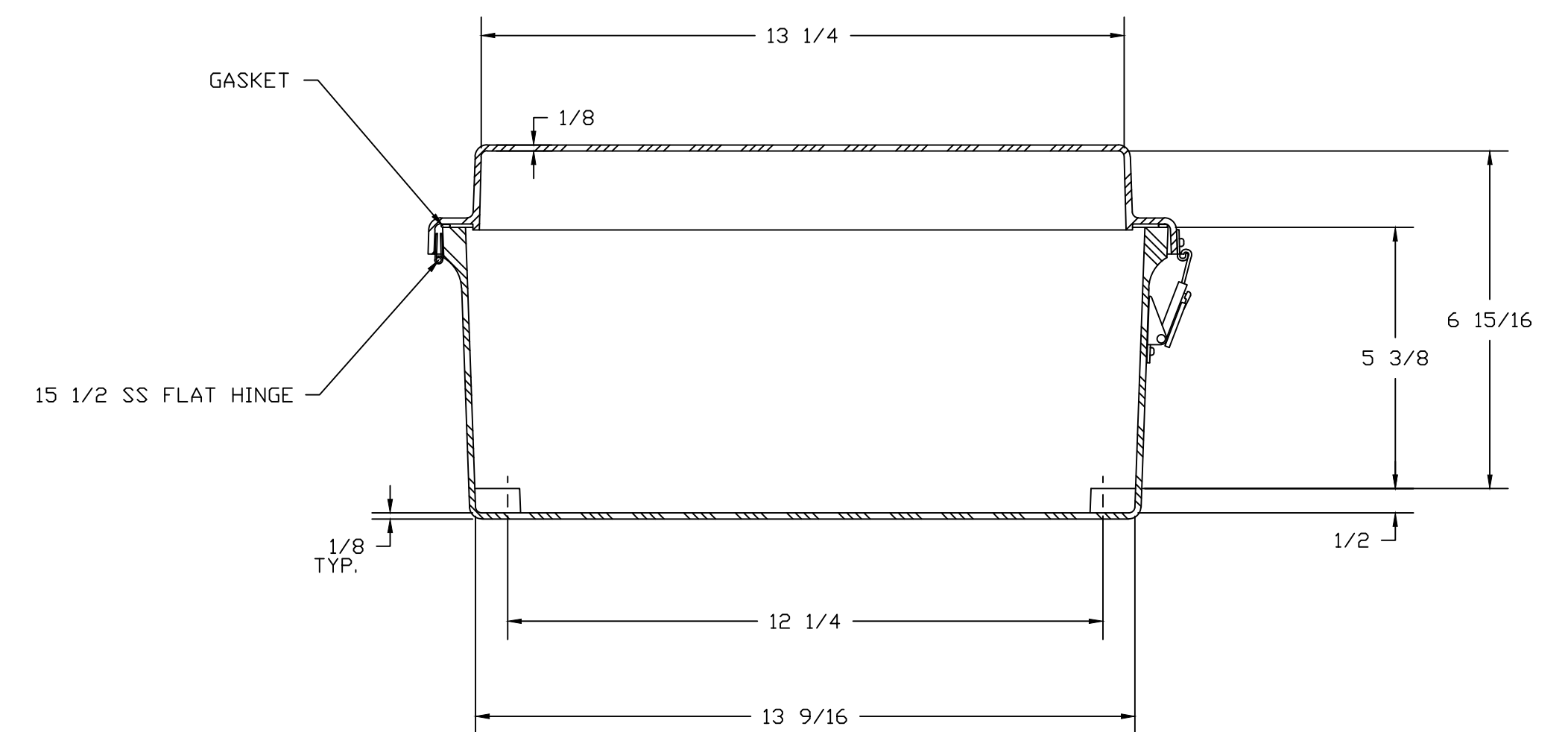
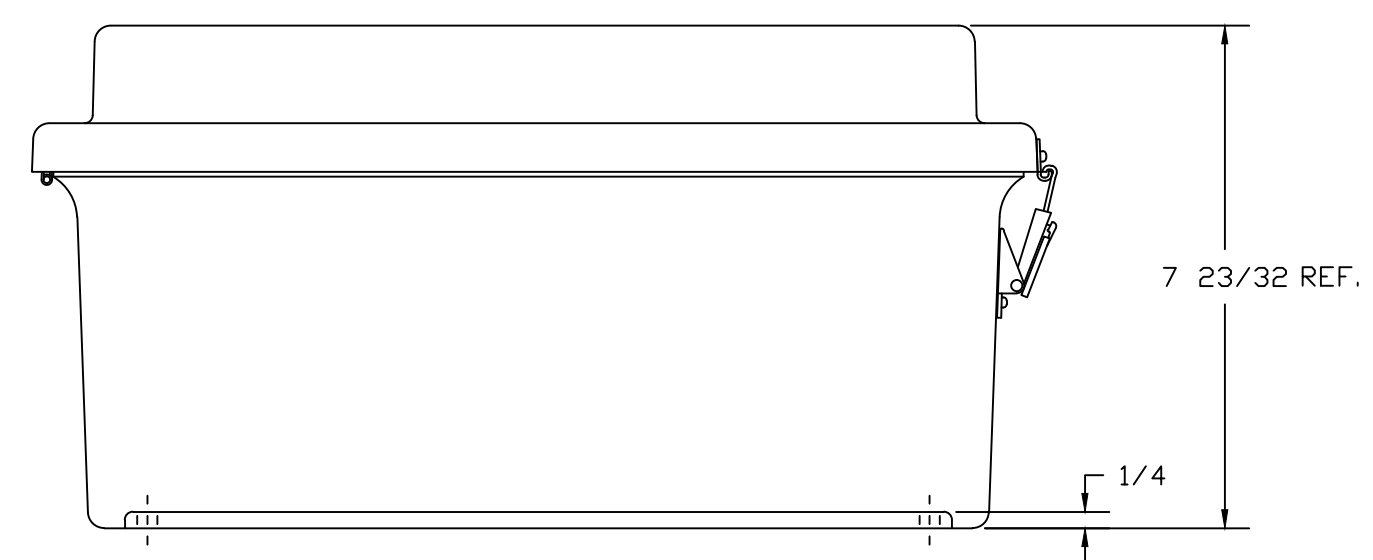



SECTION B-B



SECTION A-A

NEMA 4X		TOLERANCES UNLESS SPECIFIED		DECIMAL ± .010	FRACTIONAL ± 1/32
COLOR GLACIER GRAY RR1013					
MATERIAL	F.R. POLYESTER FIBERGLASS	DR. BY	SH	DATE	6/17/91
LET.	REVISION RECORD	DATE	BY	CHD.	CHK. BY
					APD. BY
					DATE
SCALE DO NOT SCALE		PART NAME ENCLOSURE		PART NO. RJ1614HLL	



STAHLIN
ENCLLOSURES
DIVISION OF ROBROY INDUSTRIES

BELDING, MICHIGAN 48809

AutoCAD DWG. FILE RJ1614HLL