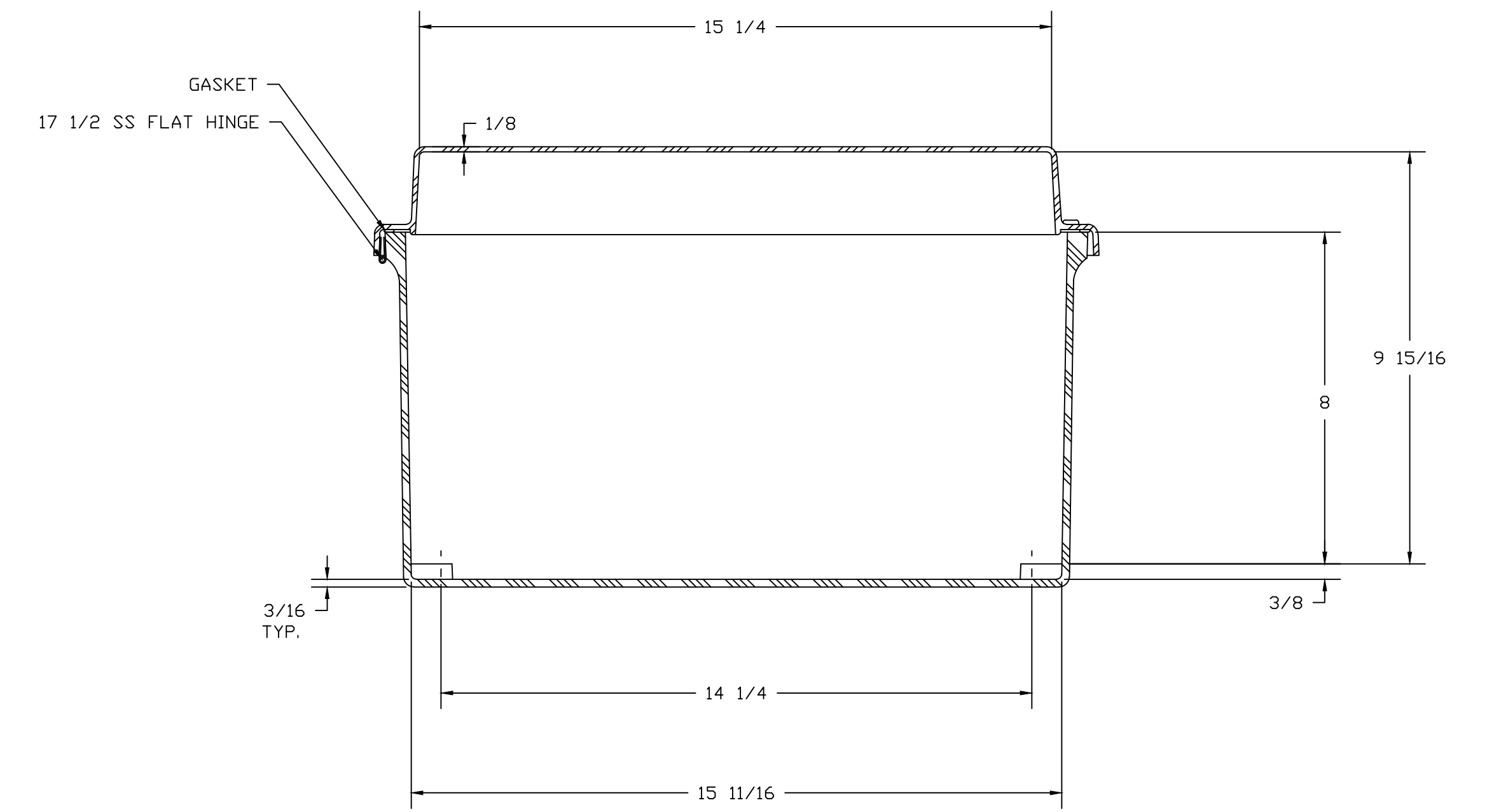
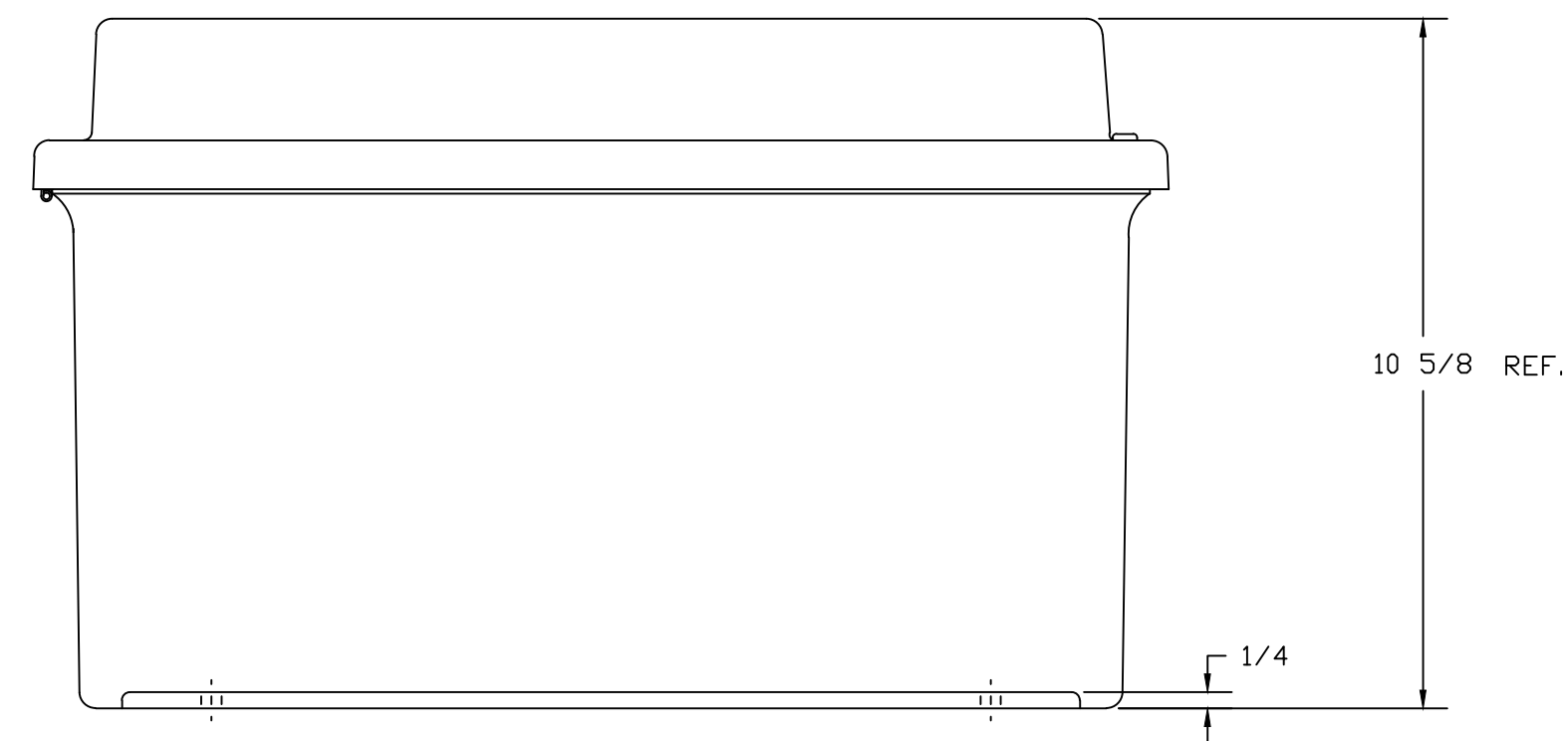


SECTION B-B



SECTION A-A

NEMA 4X		TOLERANCES UNLESS SPECIFIED		DECIMAL ±.010	FRACTIONAL ± 1/32
COLOR GLACIER GRAY RR1013					
MATERIAL	F.R. POLYESTER FIBERGLASS	DR. BY	SH	DATE	5/8/91
LET.	REVISION RECORD	DATE	BY	CHD.	
		APD. BY	DATE	CUSTOMER	
		SCALE	PART NAME		PART NO.
		DO NOT SCALE	ENCLOSURE		RJ1816HW

**STAHLIN**  
ENCLOSURES  
DIVISION OF ROBOBY INDUSTRIES

BELDING, MICHIGAN 48809

AutoCAD DWG. FILE  
RJ1816HW