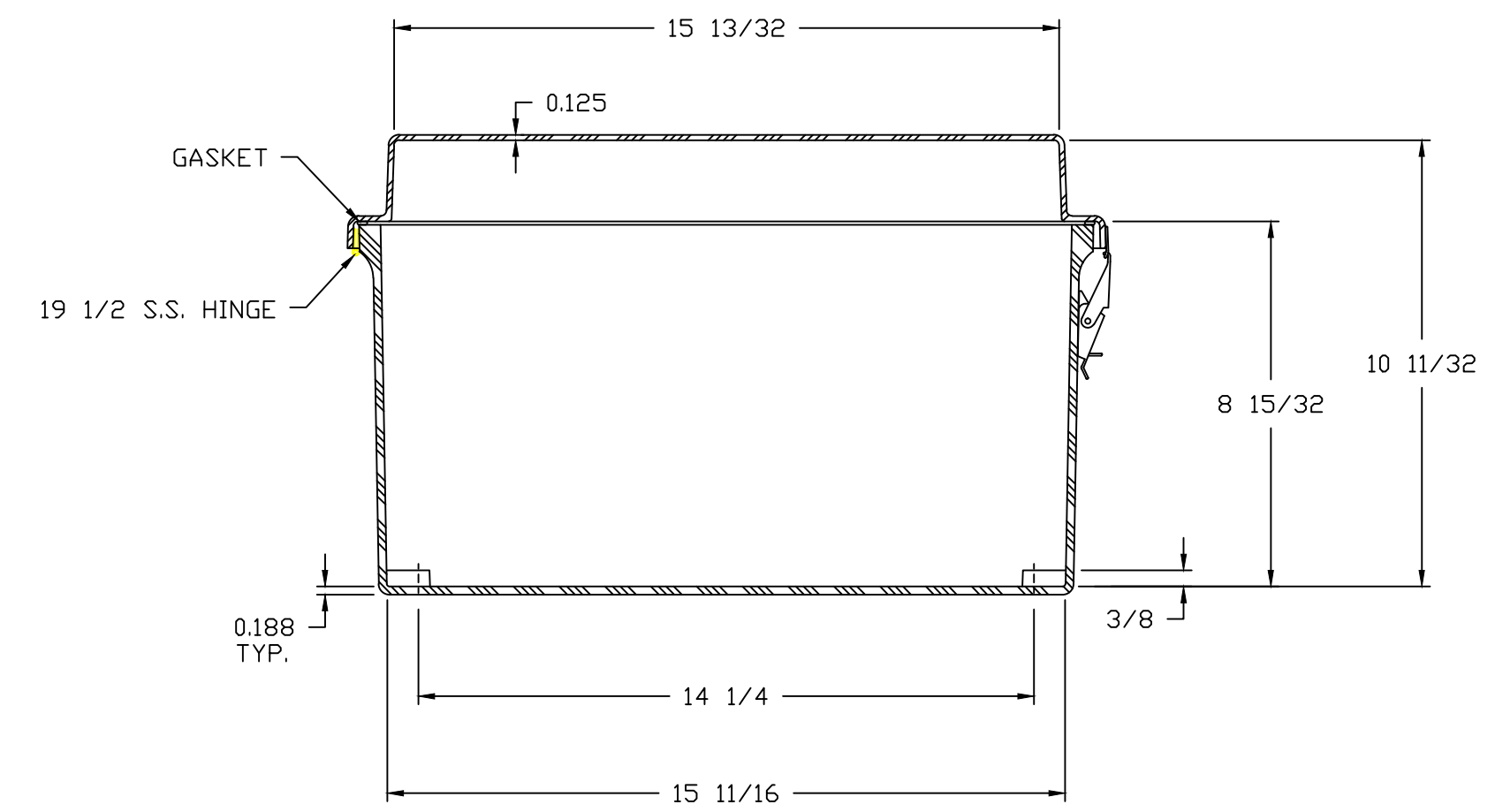
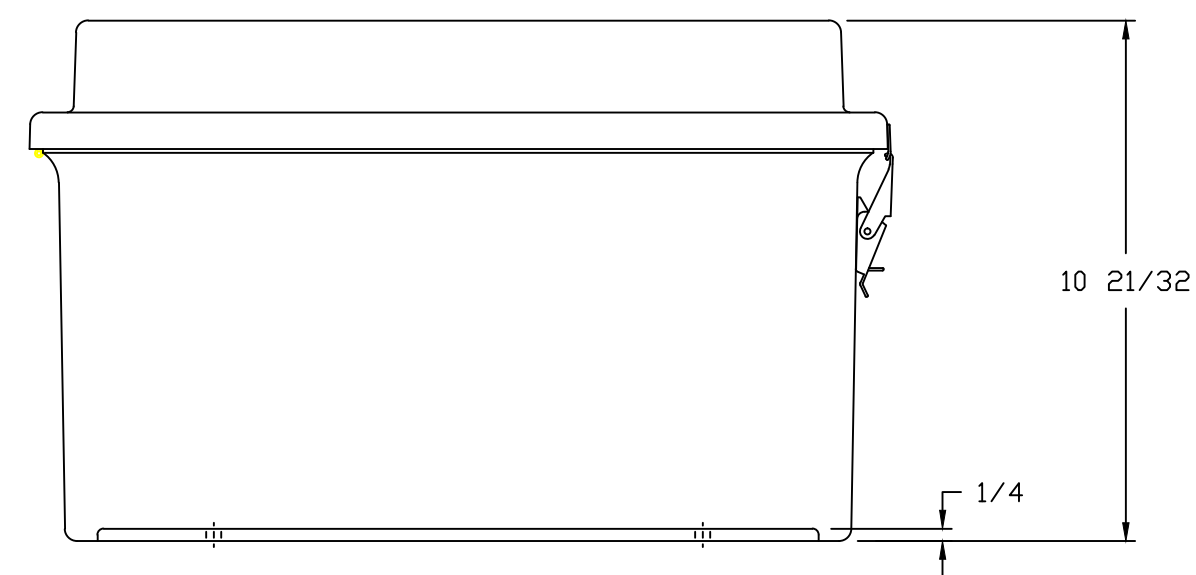



SECTION B-B



SECTION A-A

NOTES:

NEMA 3R, 4X, 6P, 12		TOLERANCES UNLESS SPECIFIED		DECIMAL ±.010	FRACTIONAL ± 1/32
COLOR GLACIER GRAY RR1013		DR. BY GF	DATE 3/30/00	 BELDING, MICHIGAN 48809	
MATERIAL F.R. POLYESTER FIBERGLASS	REVISION RECORD	CHK. BY	DATE		
LET.	DATE	BY	CHD.	APD. BY	DATE
SCALE DO NOT SCALE		PART NAME ENCLASURE		PART NO. RJ2016HPL	

AutoCAD DWG FILE RJ2016HPL