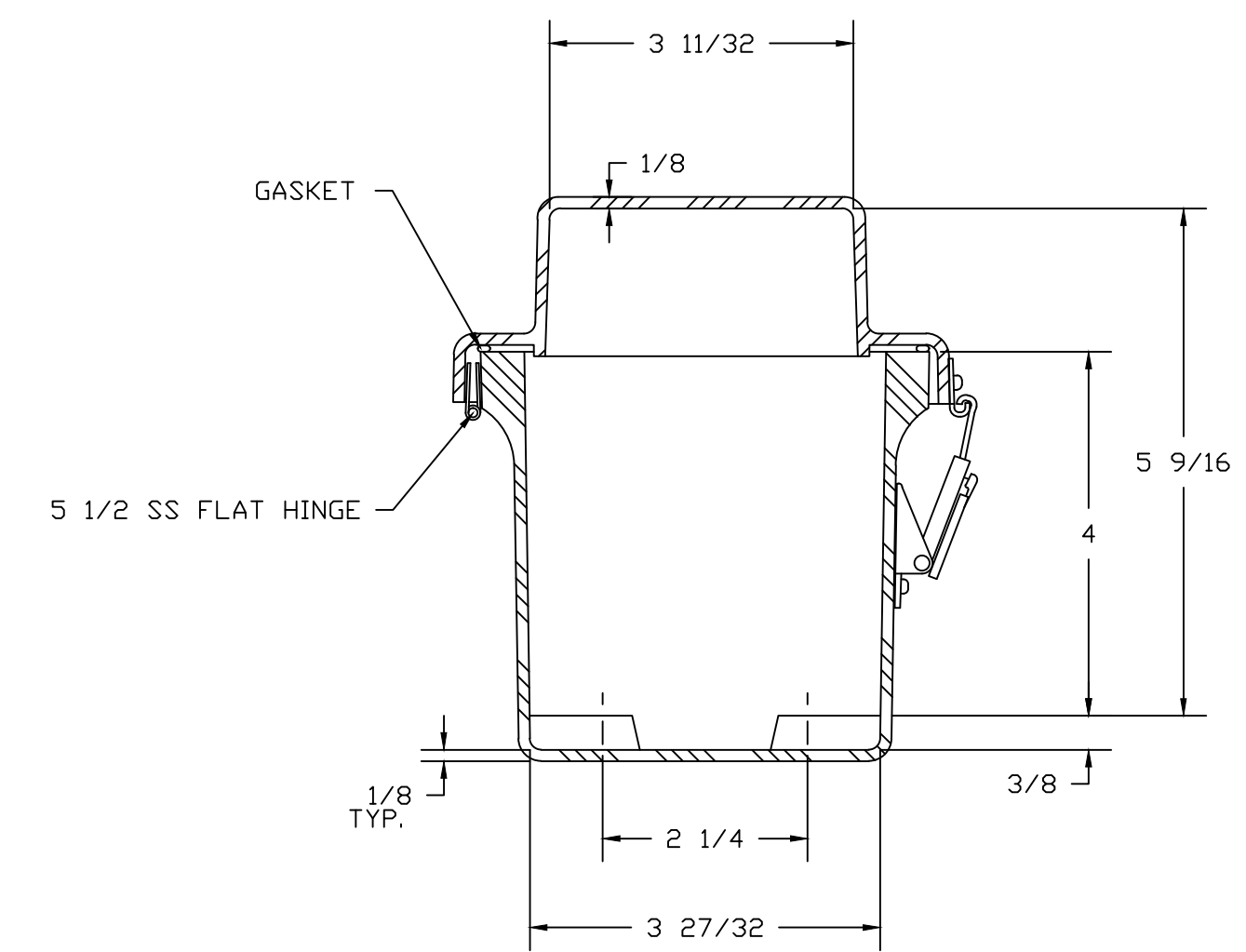
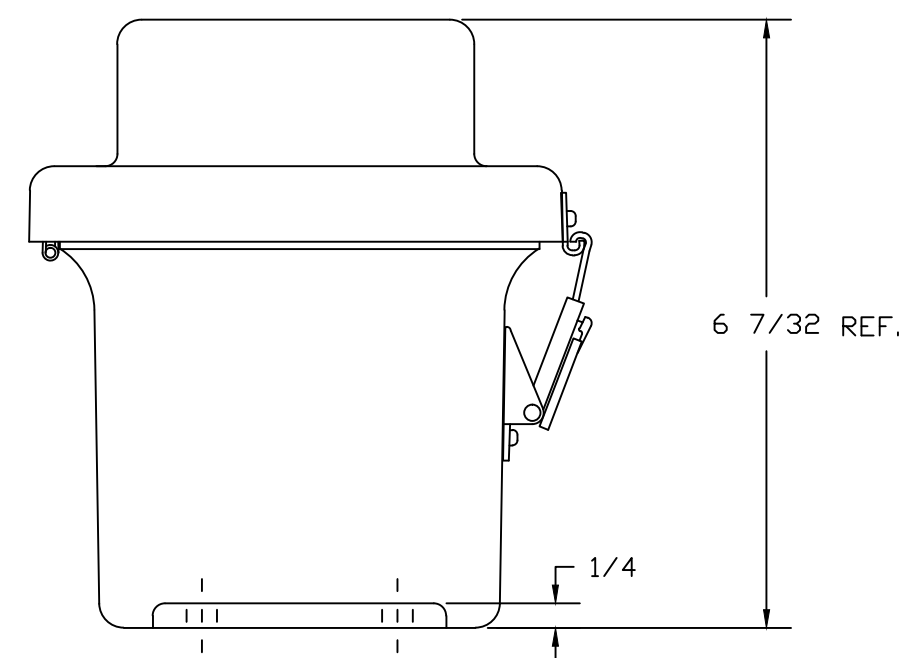



SECTION B-B



SECTION A-A

NOTES:

NEMA 4X				TOLERANCES UNLESS SPECIFIED		DECIMAL ±.010	FRACTIONAL ± 1/32
COLOR GLACIER GRAY RR1013							
MATERIAL		DR. BY	DATE	 BELDING, MICHIGAN 48809 DIVISION OF ROBBY INDUSTRIES			
F.R. POLYESTER FIBERGLASS		SH	6/14/91				
LET.	REVISION RECORD	DATE	BY	CHD.	CHK. BY	DATE	AutoCAD DWG. FILE
					APD. BY	DATE	RJ604HLL
				SCALE		PART NAME	PART NO.
				DO NOT SCALE		ENCLOSURE	RJ604HLL