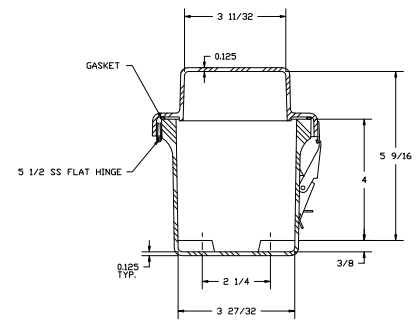
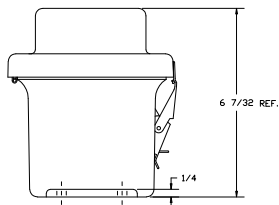


SECTION B-B



SECTION A-A

NOTES									
NEMA 4X					TOLERANCES DECIMAL FRACTIONAL				
COLOR: GLACIER GRAY RR1013					UNLESS SPECIFIED 2 .010 2 1/32				
MATERIAL:			DR. BY DATE						
F.R. POLYESTER FIBERGLASS			SH 6/14/91						
REVISION RECORD			DATE BY CHG.		CHK. BY DATE		BELDING, MICHIGAN 48809 AMACAD DWG. FILE		
APD. BY DATE			CUSTOMER		PART NO.				
SCALE			PART NAME		ENCLOSURE		PART NO. RJ604HPL		
DO NOT SCALE									