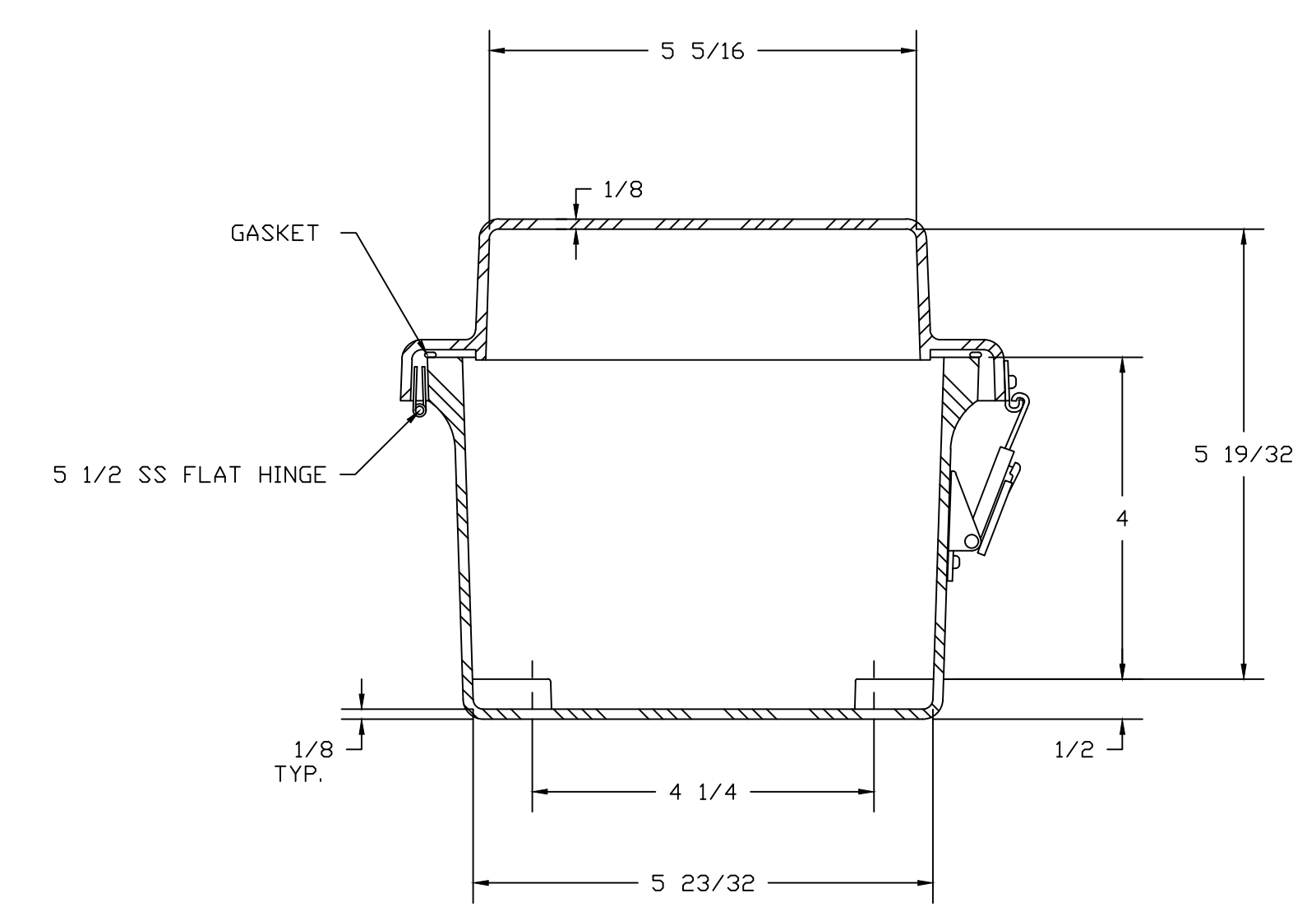
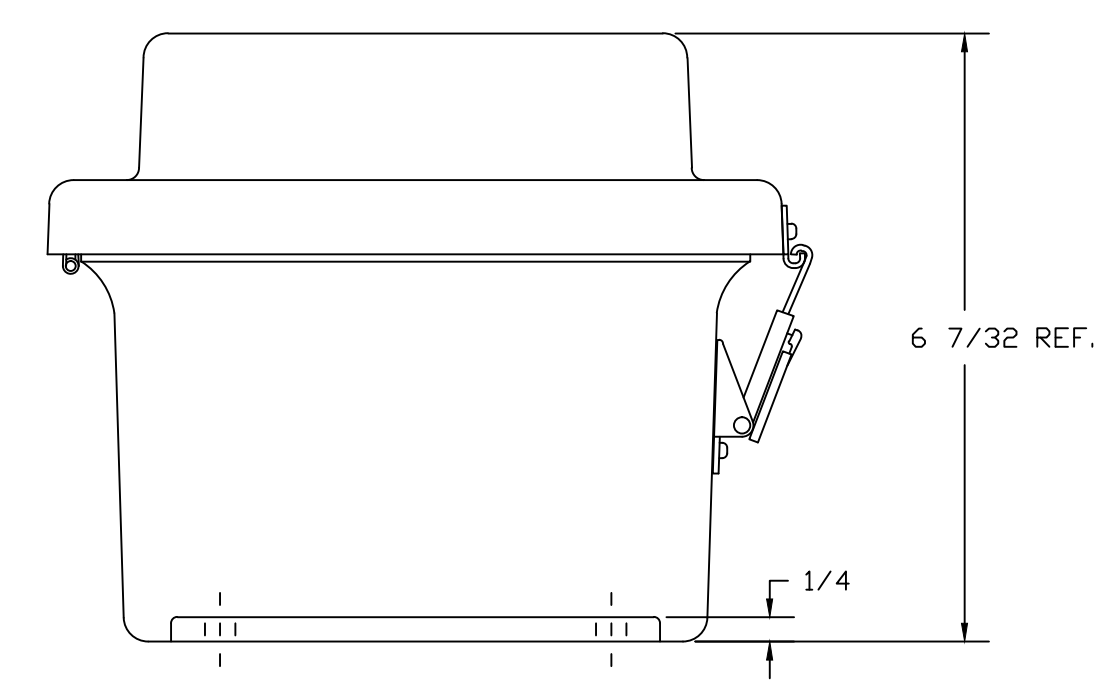


SECTION B-B



SECTION A-A

NOTES:

NEMA 4X		TOLERANCES UNLESS SPECIFIED		DECIMAL ±.010	FRACTIONAL ± 1/32
COLOR GLACIER GRAY RR1013					
MATERIAL	F.R. POLYESTER FIBERGLASS	DR. BY SH	DATE 6/14/91		
LET.	REVISION RECORD	DATE	BY		
		CHK. BY	DATE	BELDING, MICHIGAN 48809	
		APD. BY	DATE	CUSTOMER	AutoCAD DWG. FILE
		SCALE DO NOT SCALE		PART NAME ENCLOSURE	PART NO. RJ606HLL