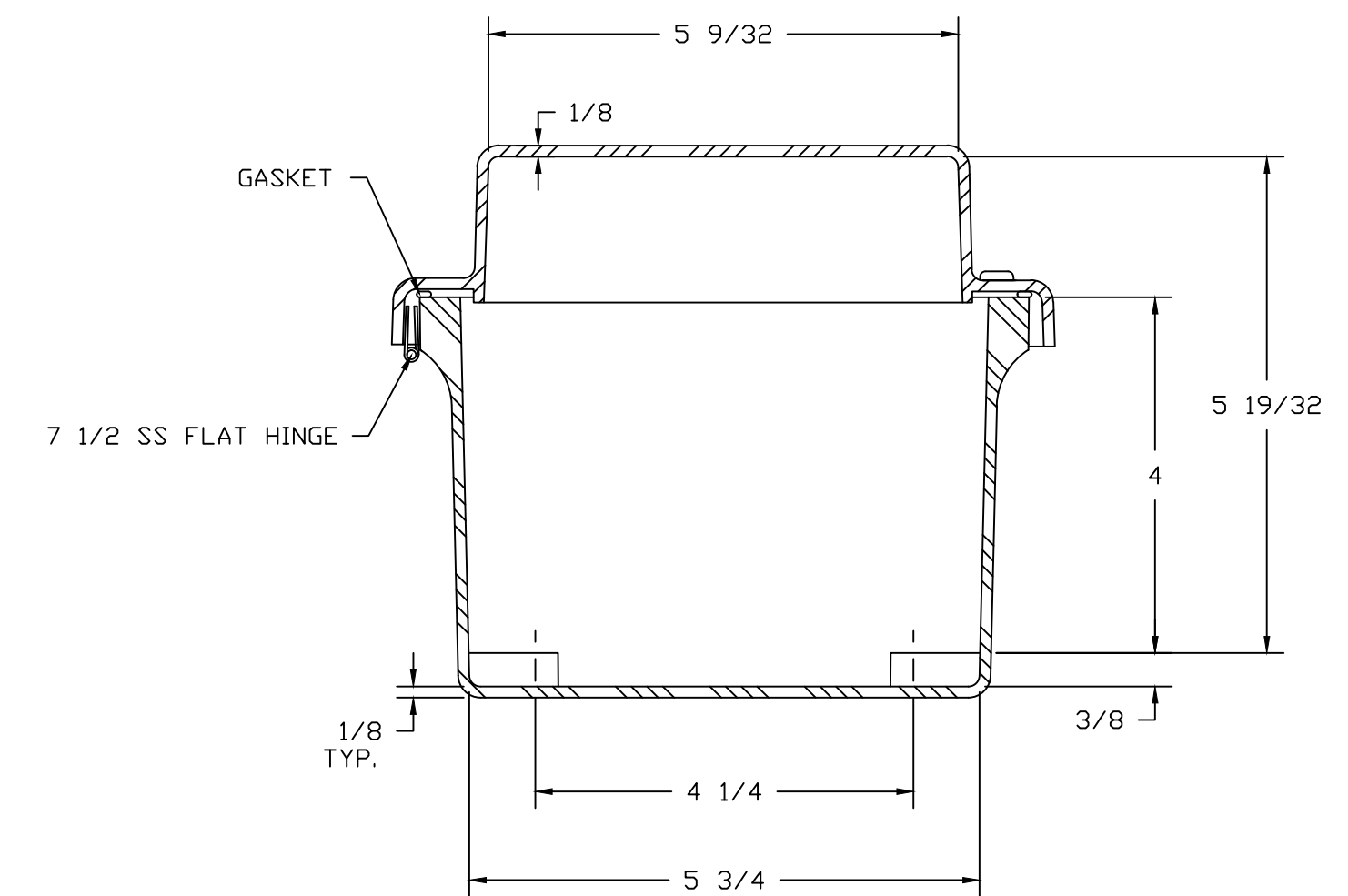
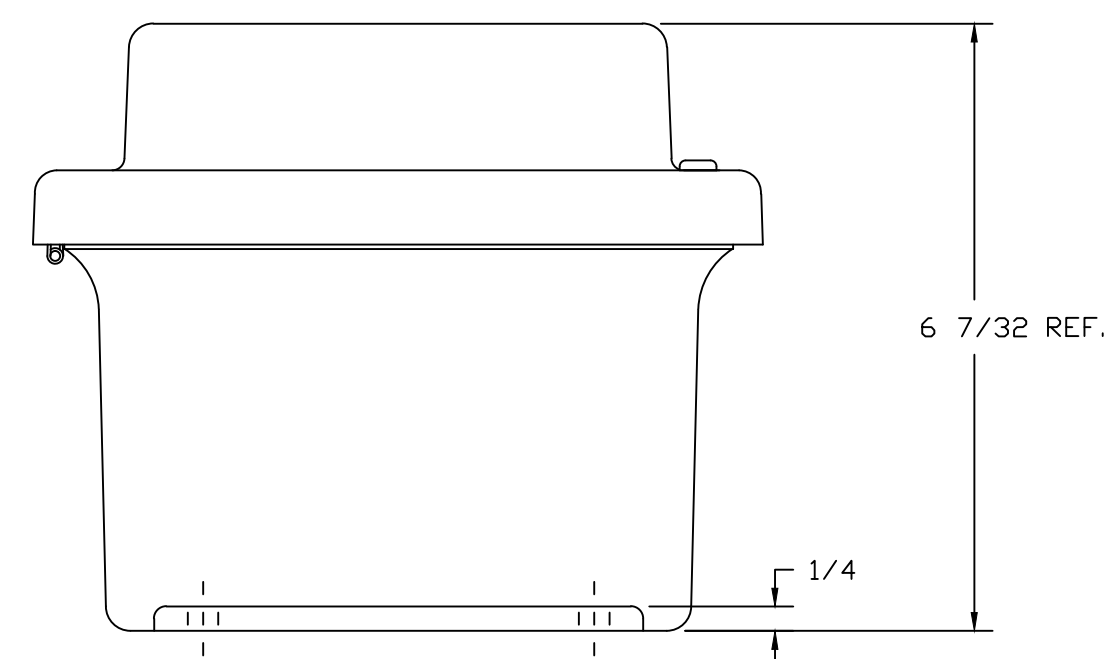



SECTION B-B



SECTION A-A

NOTES:

NEMA 4X		TOLERANCES UNLESS SPECIFIED		DECIMAL ± .010	FRACTIONAL ± 1/32	
MATERIAL: COLD R GLACIER GRAY RR1013						
DR. BY: SH		DATE: 7/8/91		 BELDING, MICHIGAN 48809 AutoCAD DWG. FILE RJB06HW		
F.R. POLYESTER FIBERGLASS		CHK. BY:				
LET.	REVISION RECORD	DATE	BY	CHD.	APD. BY	DATE
SCALE: DO NOT SCALE		PART NAME: ENCLOSURE		PART NO.: RJB06HW		