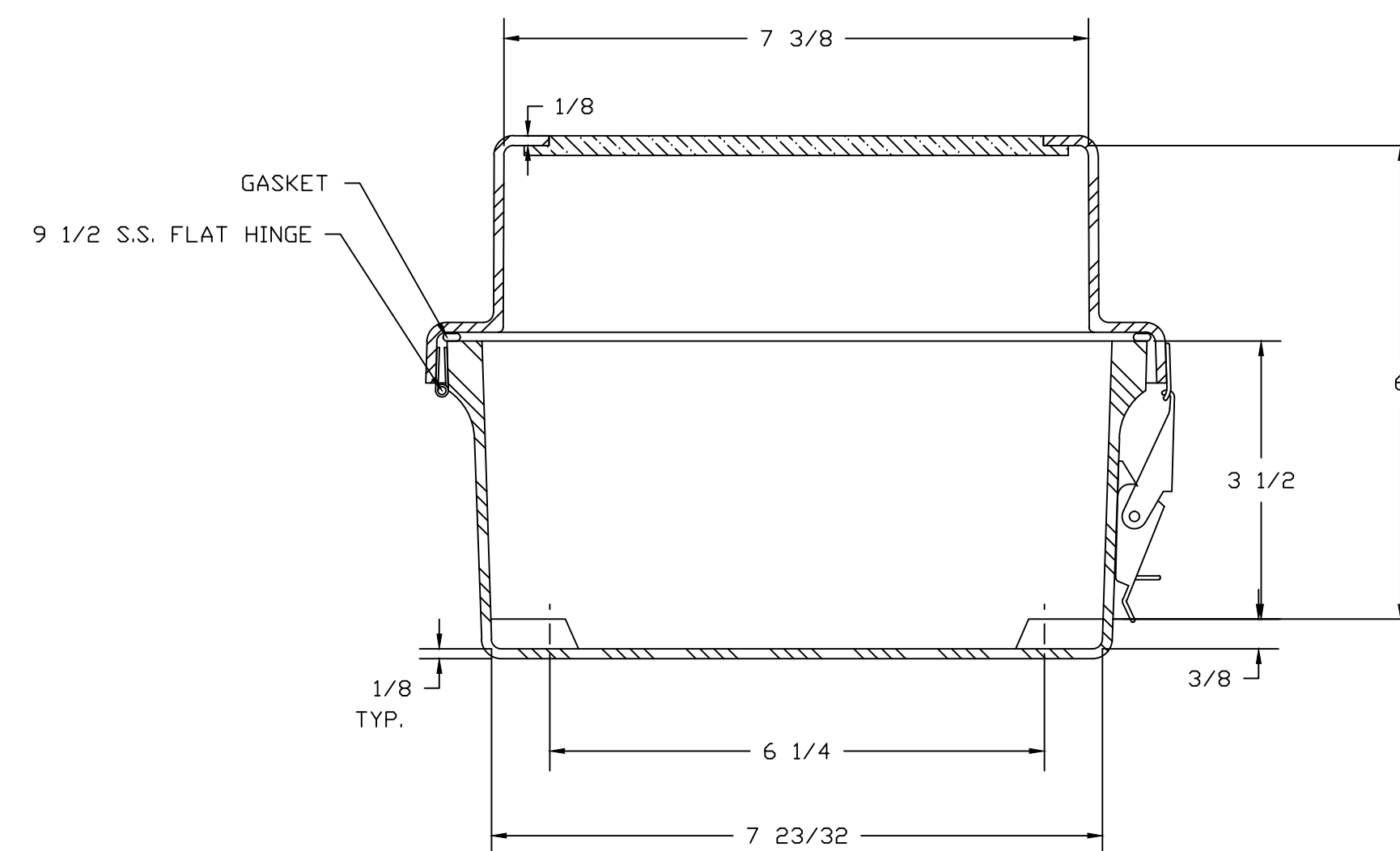
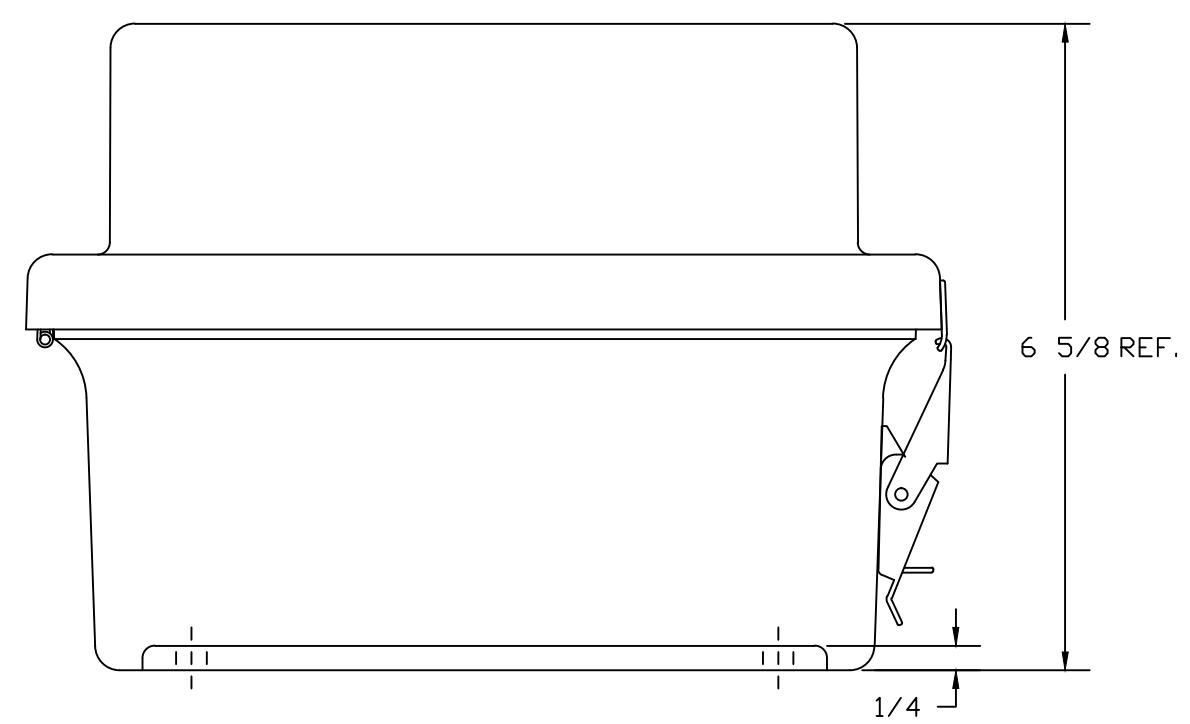


SECTION B-B



SECTION A-A

NOTES:

NEMA 4X		TOLERANCES UNLESS SPECIFIED		DECIMAL ± .010	FRACTIONAL ± 1/32
COLD R. GLACIER GRAY RR1013					
MATERIAL	F.R. POLYESTER FIBERGLASS	DR. BY	SH	DATE	8/22/91
LET.	REVISION RECORD	DATE	BY	CHK. BY	DATE
		APD. BY	DATE		
		SCALE		PART NAME	
		DO NOT SCALE		ENCLOSURE	
				PART NO. RJW1008HPL	



BELDING, MICHIGAN 48809

AutoCAD DWG. FILE
RW1008HPL