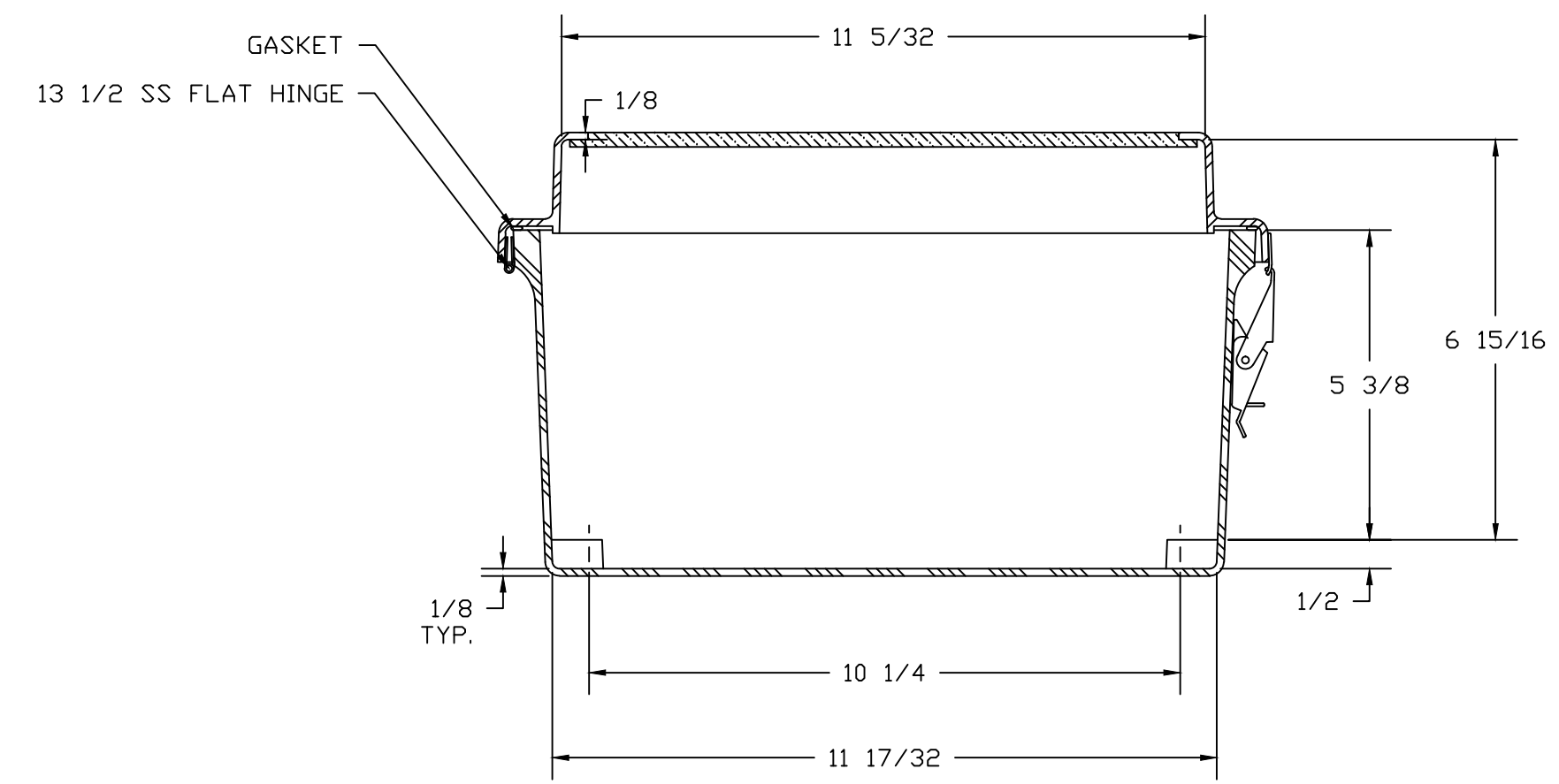
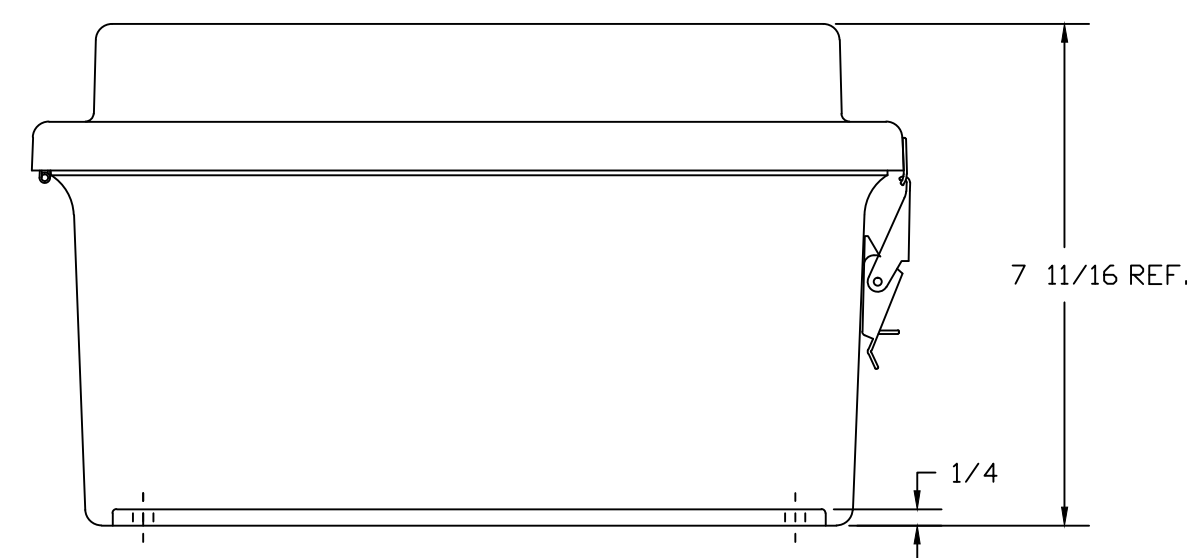



SECTION B-B



SECTION A-A

NOTES:										
NEMA 4X					TOLERANCES UNLESS SPECIFIED		DECIMAL ± .010	FRACTIONAL ± 1/32		
COLOR GLACIER GRAY RR1013										
MATERIAL			DR. BY	DATE	CHK. BY		DATE	 BELDING, MICHIGAN 48809 AutoCAD DWG. FILE RW1412HPL		
F.R. POLYESTER FIBERGLASS			SH	8/19/91						
REVISION RECORD			DATE	BY	CHD.	APD. BY		DATE	CUSTOMER	
						SCALE		PART NAME	PART NO.	
						DO NOT SCALE		ENCLOSURE	RJW1412HPL	