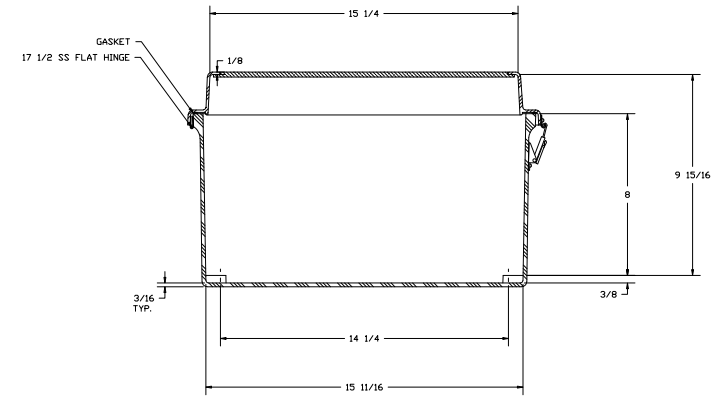
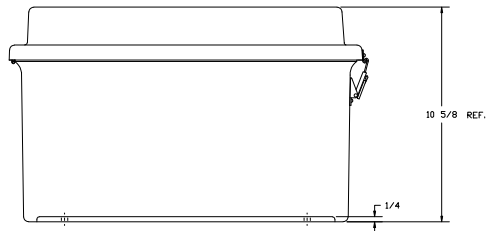



SECTION B-B



SECTION A-A

NOTES										
NEMA 4X					TOLERANCES		DECIMAL	FRACTIONAL		
COLOR: GLACIER GRAY RR1013					UNLESS SPECIFIED		±.010	± 1/32		
MATERIAL			DR. BY		DATE		 <b>STAHLIN ENCLOSURES</b> <small>SYSTEMS OF RIGID POLYMER</small>			
F.R. POLYESTER FIBERGLASS			SH		8/21/91					
REVISION RECORD			DATE		BY		CHK. BY		DATE	
LET.										
			APP. BY		DATE		CUSTOMER		PART NO.	
							ENCLOSURE		R.J.W1816HLL	
			SCALE		DO NOT SCALE		PART NAME		PART NO.	