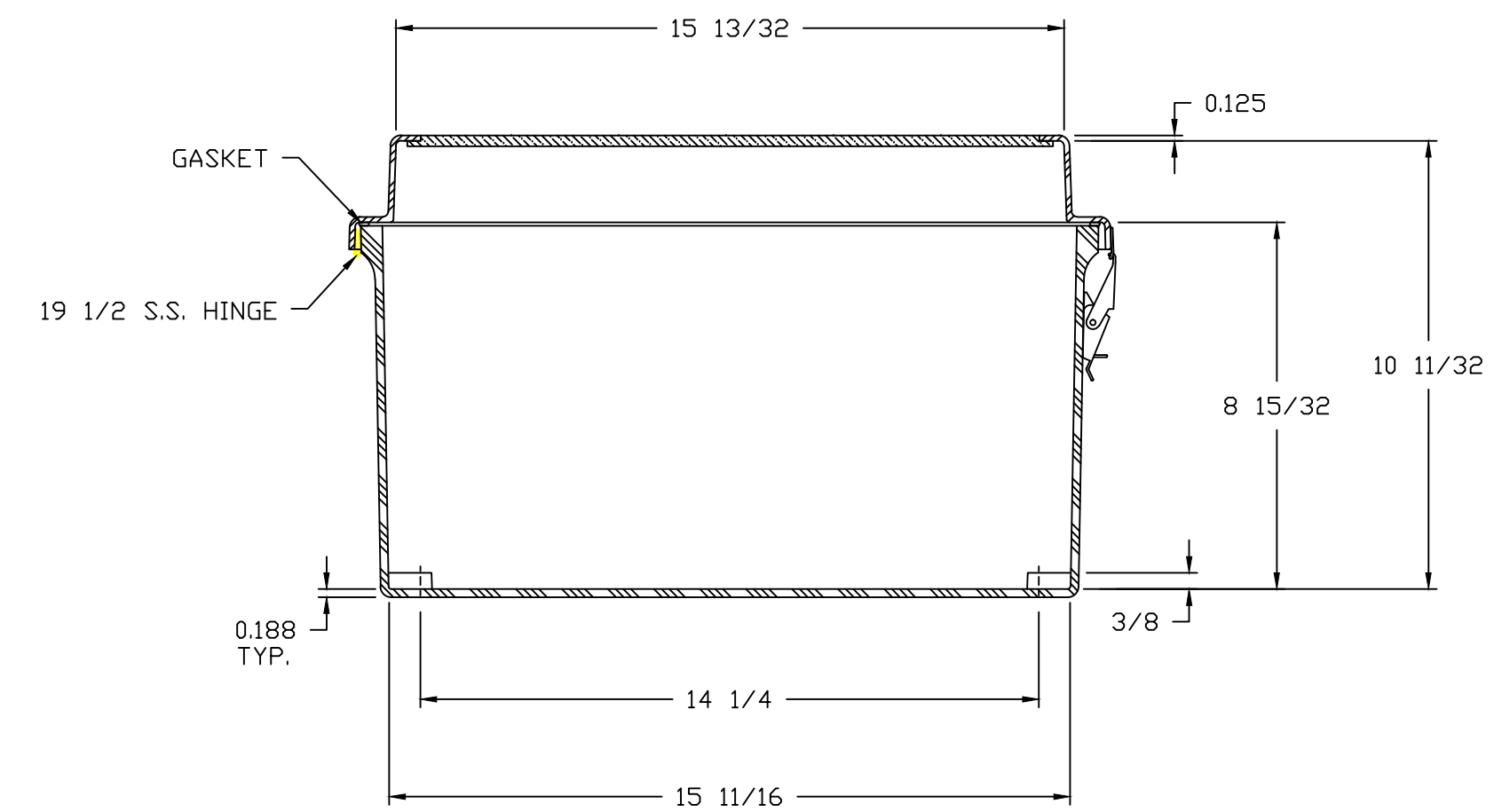
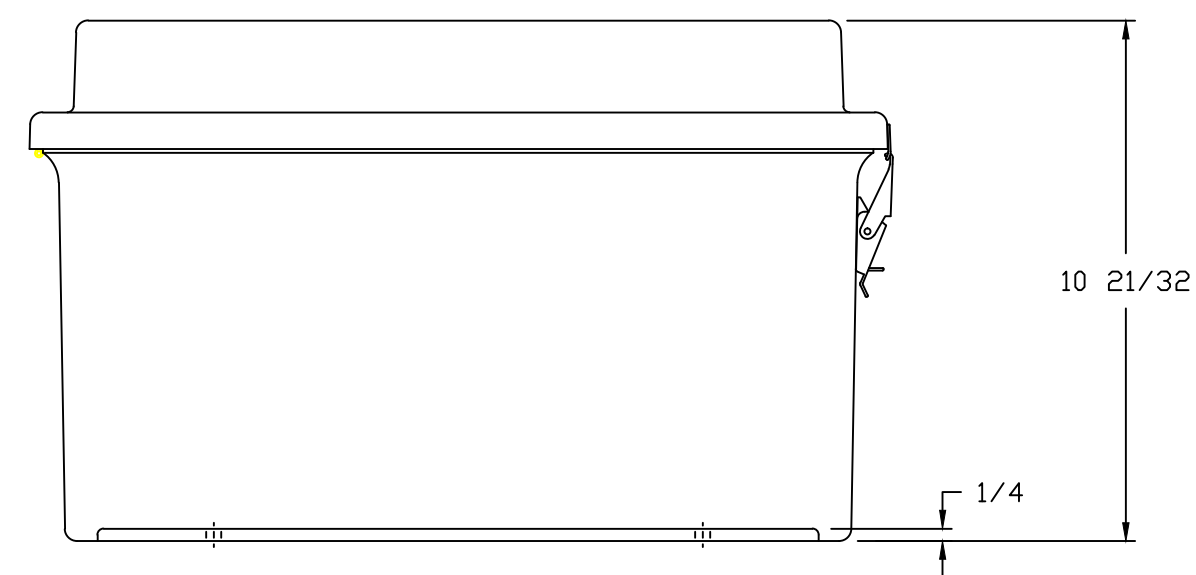



SECTION B-B



SECTION A-A

NOTES:

NEMA 4X		TOLERANCES UNLESS SPECIFIED		DECIMAL ±.010	FRACTIONAL ± 1/32
COLOR GLACIER GRAY RR1013		DR. BY GF		DATE 3/30/00	 BELDING, MICHIGAN 48809
MATERIAL F.R. POLYESTER FIBERGLASS		CHK. BY	DATE	CUSTOMER	
LET.	REVISION RECORD	DATE	BY	CHD.	APD. BY
					DATE
SCALE DO NOT SCALE		PART NAME ENCLASURE		PART NO. RJW2016HPL	

AutoCAD DWG FILE  
RJW2016HPL