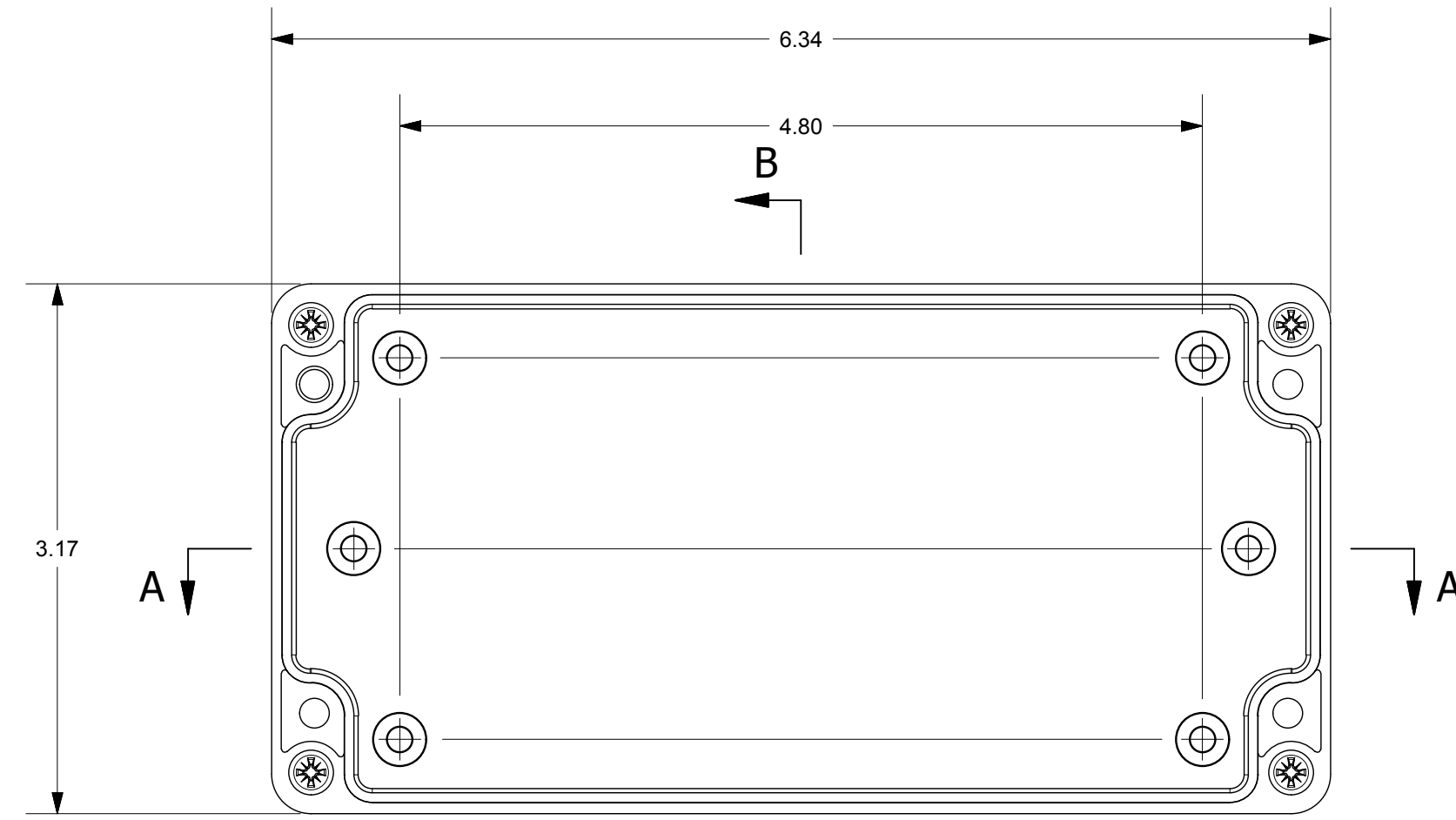
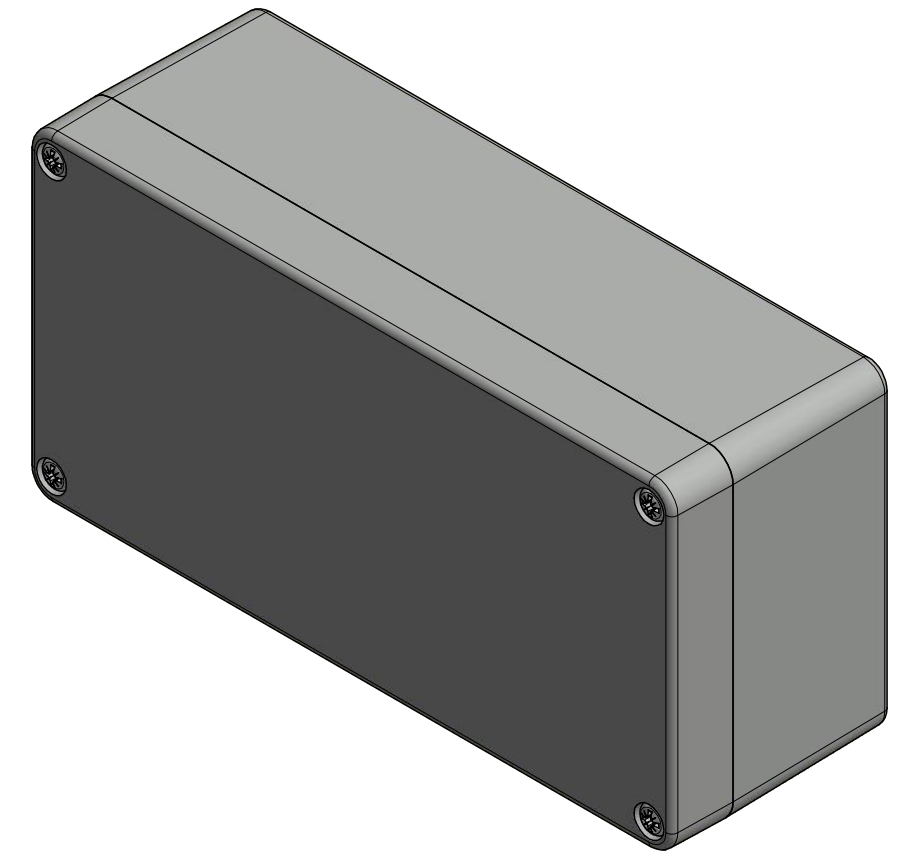
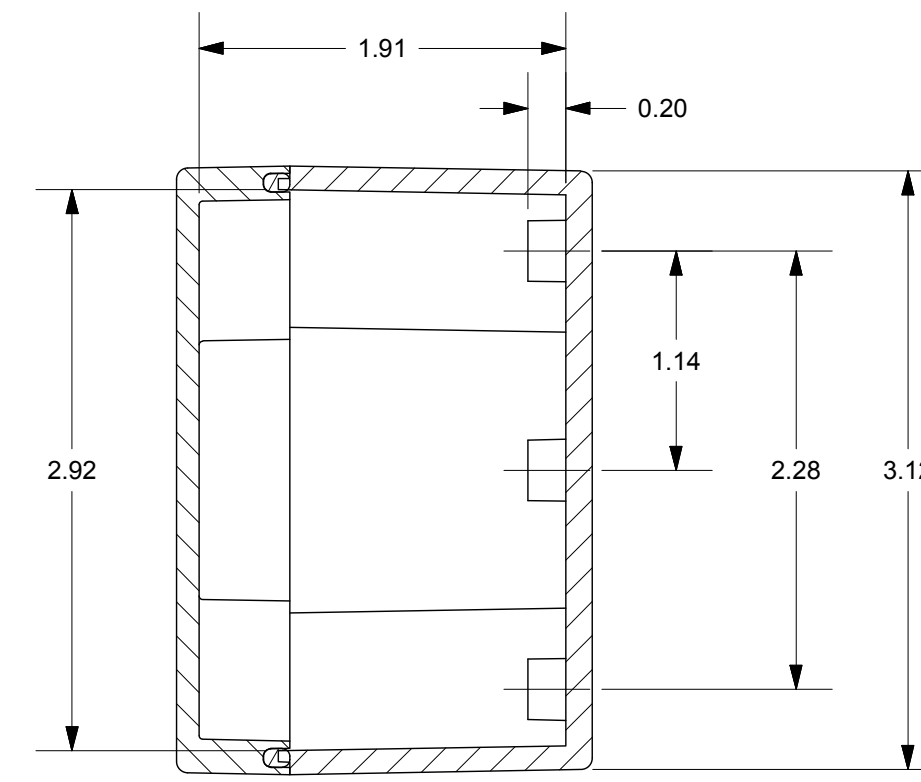


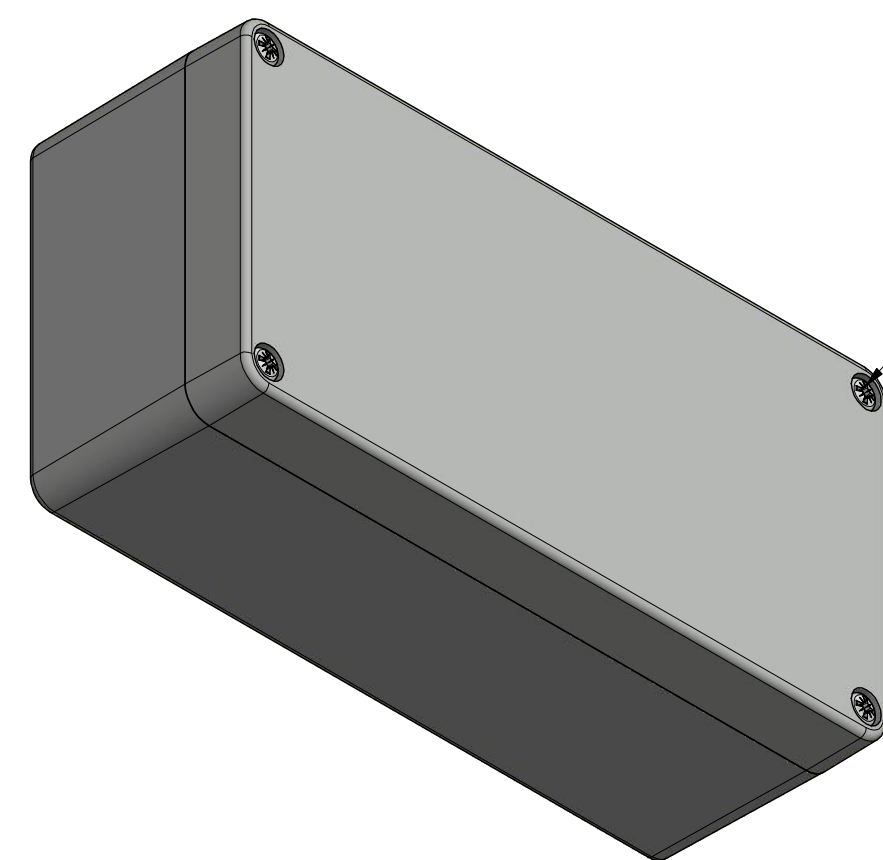
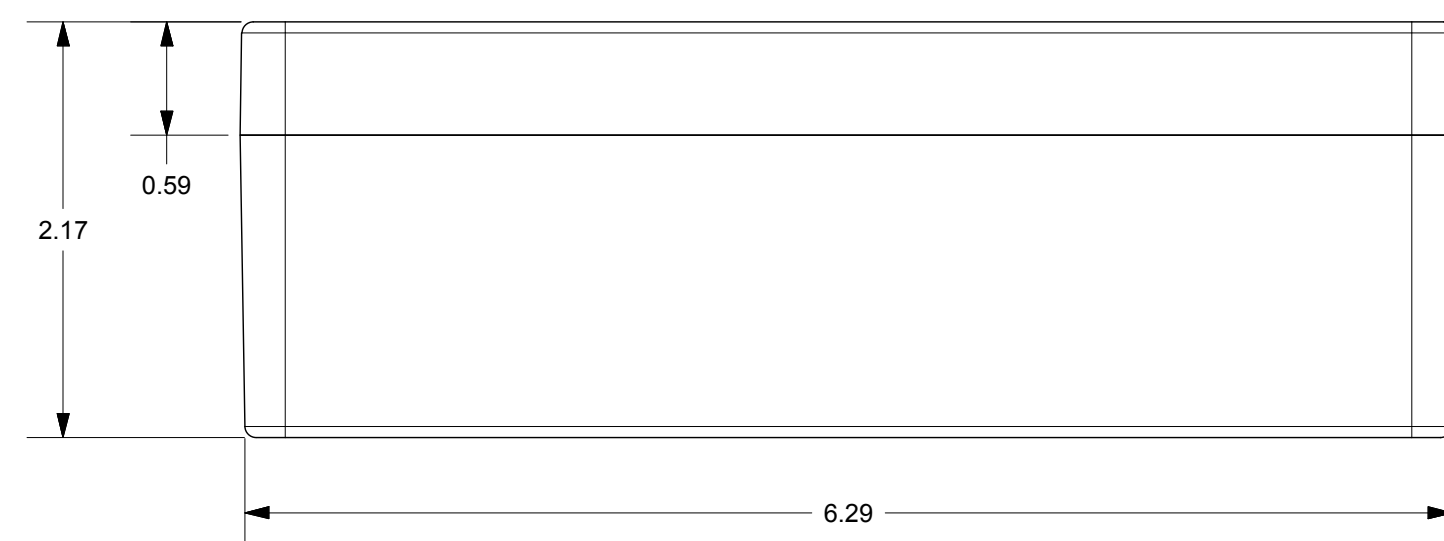
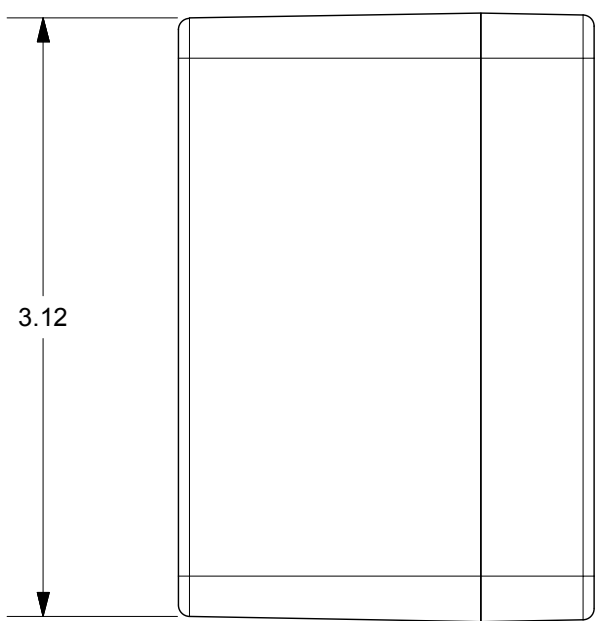
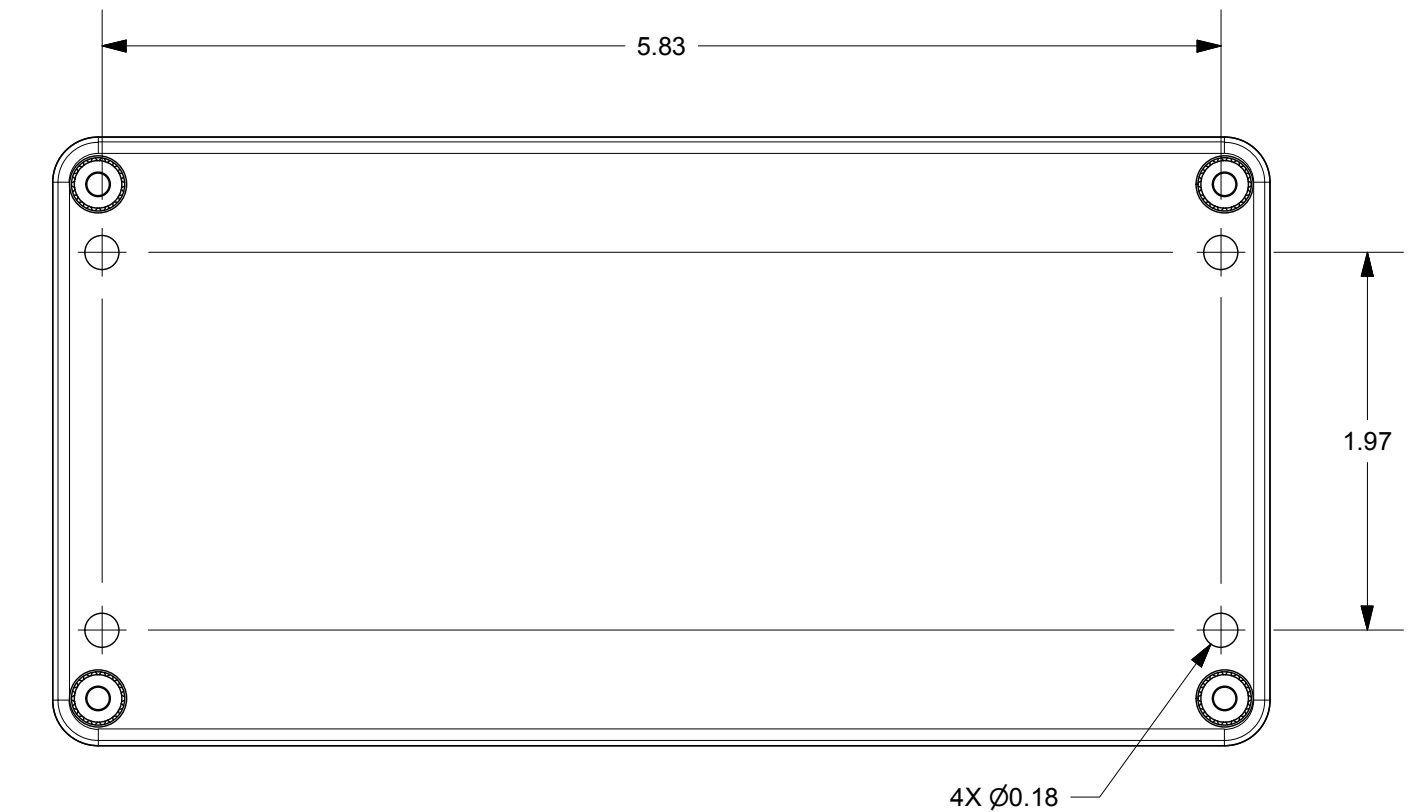
SECTION A-A



WITH COVER REMOVED



SECTION B-B




COVER SCREW  
M4 x 24/10 mm  
(4X)

THIS DRAWING IS THE SOLE AND EXCLUSIVE PROPERTY OF ROBROY ENCLOSURES. NO PART OF THIS DRAWING MAY BE REPRODUCED, DISTRIBUTED, OR PUBLICALLY DISPLAYED IN ANY FORM OR BY ANY MEANS WITHOUT THE EXPRESS WRITTEN PERMISSION OF ROBROY ENCLOSURES. ALL RIGHTS RESERVED. UNDER THE COPYRIGHT LAWS. COPYRIGHT © 2018 ROBROY ENCLOSURES.

END USER NOTES:  
1. TORQUE COVER SCREWS TO 9-17 IN.-LBS. TO MAINTAIN RATINGS.

**SPECIAL REQUIREMENTS**

NEMA 250: TYPE 1, 3R, 4, 4X, 12 IEC 60529: IP66 COLOR: LIGHT GREY COLOR STANDARD: RAL 7035		STANDARD P/N: ST168055W	ALL DIMENSIONS ARE IN INCHES UNLESS OTHERWISE SPECIFIED	TOLERANCES UNLESS SPECIFIED	.XX ± 0.03	.XXX ± 0.010
MATERIAL: POLYCARBONATE		CUSTOMER DWG:	 <b>Robroy Enclosures</b> 500 Maple Street Belding, Michigan 48809 Phone: 616-794-0700 Fax: 616-749-3378			
REVISION HISTORY						
REV	DESCRIPTION	DATE	ENG	DRAWN BY	DATE	CUSTOMER
-	-	-	-	E91	02/08/18	
DO NOT SCALE		SCALE	DESCRIPTION	PART NUMBER		
		STANDARD ENCLOSURE	FEST168055W			