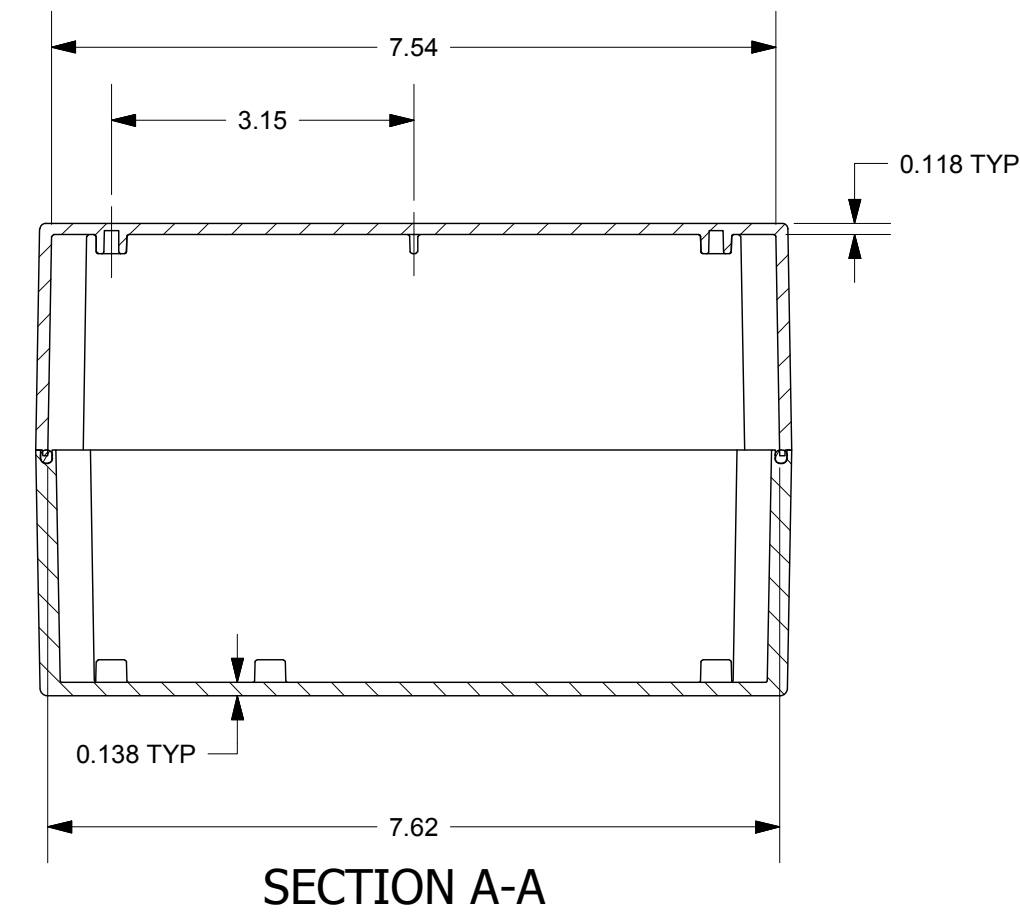
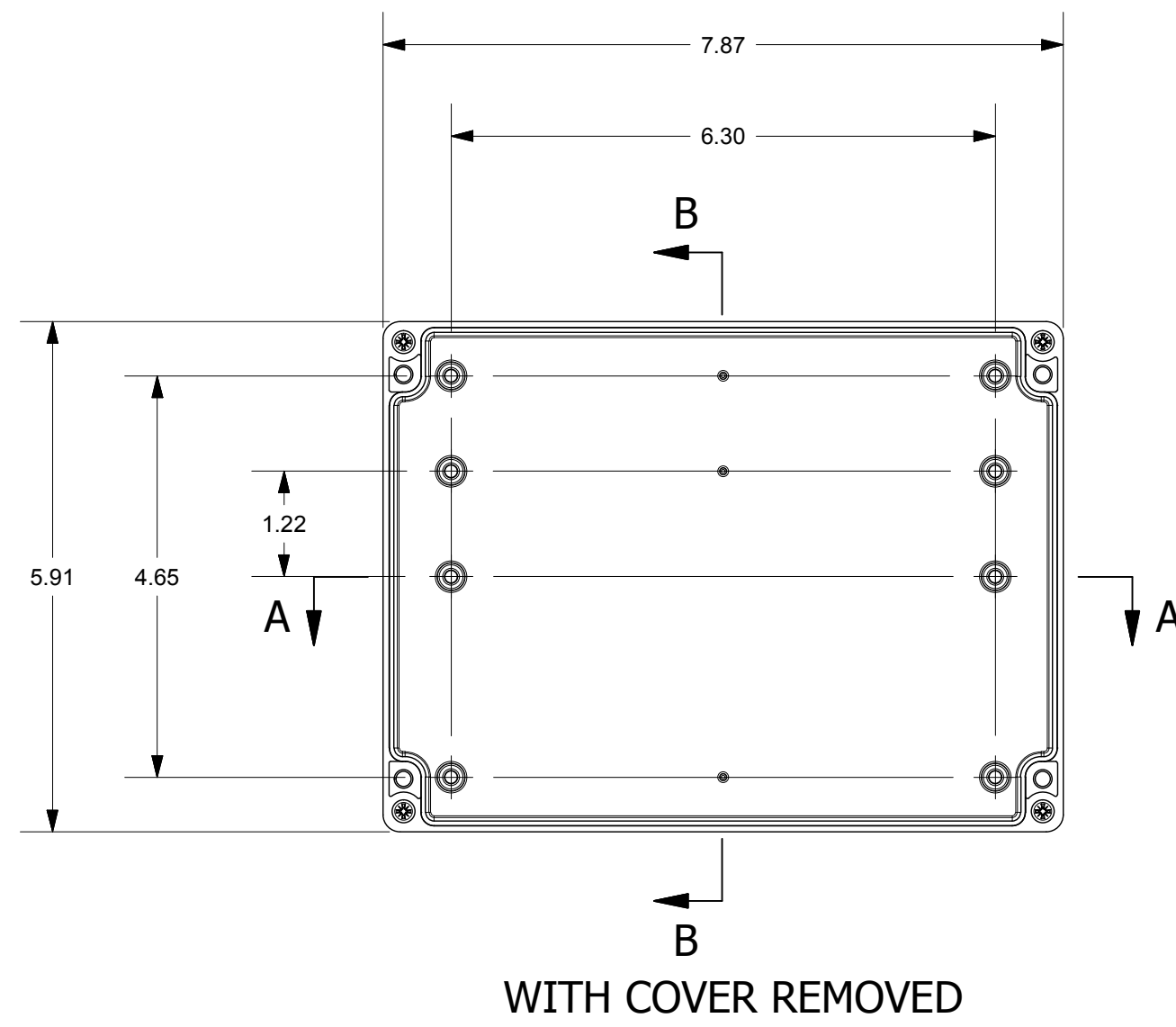


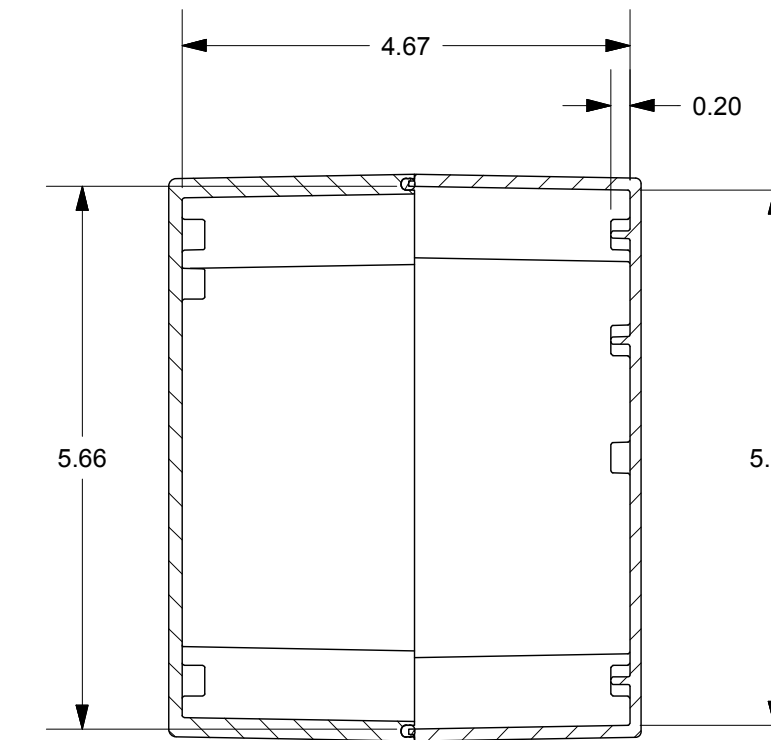
PRODUCT LABEL DETAIL



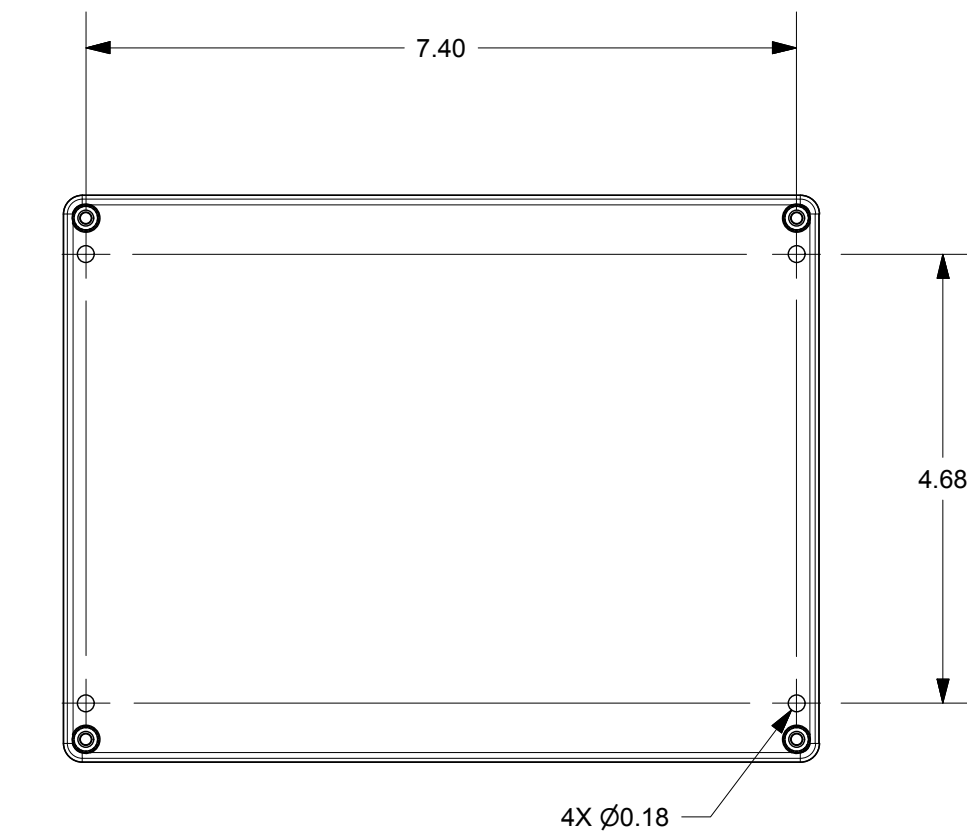
SECTION A-A



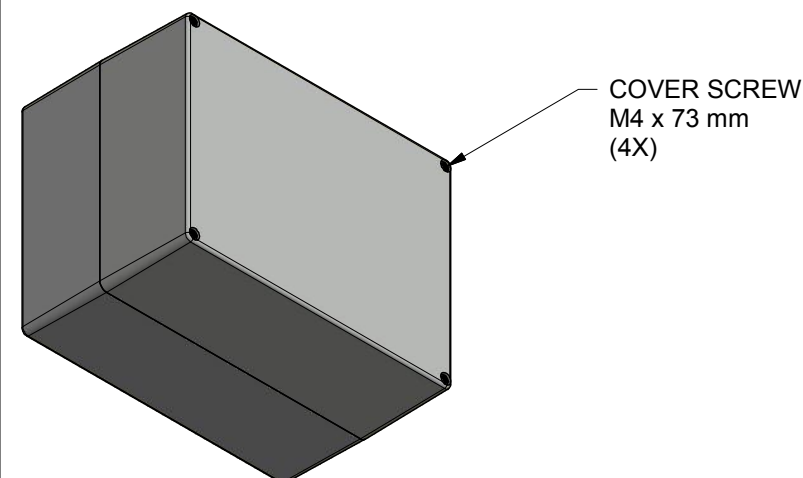
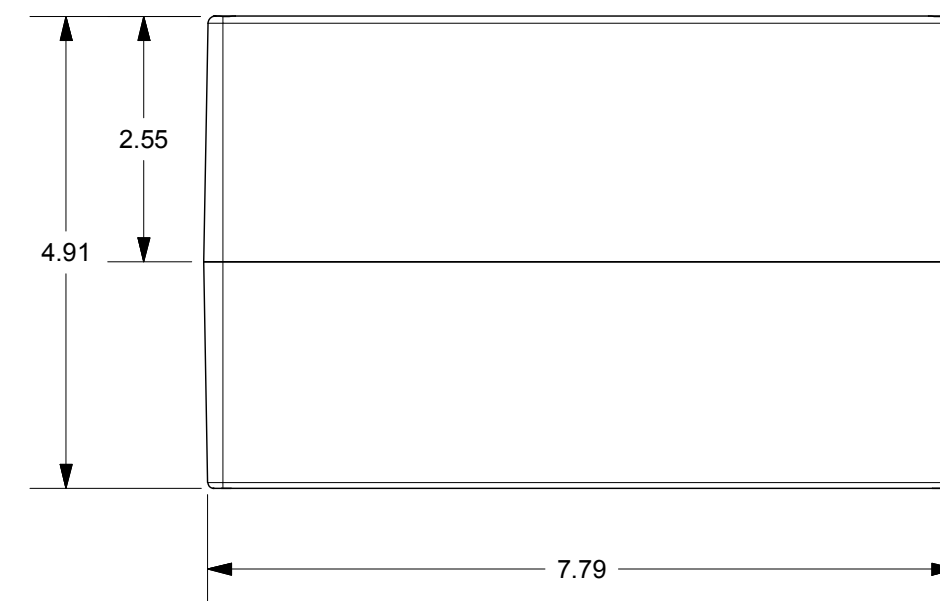
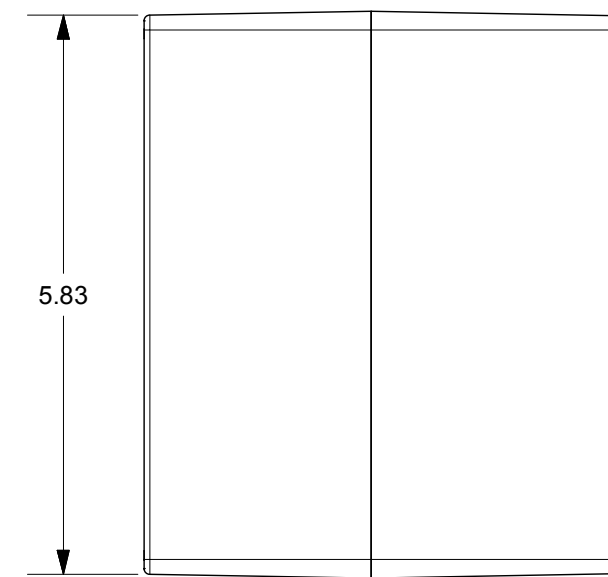
WITH COVER REMOVED



SECTION B-B



4X Ø0.18



END USER NOTES:
1. TORQUE COVER SCREWS TO 9-17 IN.-LBS. TO MAINTAIN RATINGS.

THIS DRAWING IS THE SOLE AND EXCLUSIVE PROPERTY OF ROBROY ENCLOSURES. NO PART OF THIS DRAWING MAY BE REPRODUCED, DISTRIBUTED, OR PUBLICALLY DISPLAYED IN ANY FORM OR BY ANY MEANS WITHOUT THE EXPRESS WRITTEN PERMISSION OF ROBROY ENCLOSURES. ALL RIGHTS RESERVED. UNDER THE COPYRIGHT LAWS. COPYRIGHT © 2018 ROBROY ENCLOSURES.

SPECIAL REQUIREMENTS

NEMA 250: TYPE 1, 3R, 4, 4X, 12 IEC 60529: IP66 COLOR: LIGHT GREY COLOR STANDARD: RAL 7035		STANDARD P/N: ST201513W CUSTOMER DWG:	ALL DIMENSIONS ARE IN INCHES UNLESS OTHERWISE SPECIFIED	TOLERANCES UNLESS SPECIFIED .XX ± 0.03 .XXX ± 0.010
MATERIAL: POLYCARBONATE				
REVISION HISTORY				
REV	DESCRIPTION	DATE	ENG	
-	-	-	-	
-	-	-	-	
-	-	-	-	
-	-	-	-	
-	-	-	-	
DRAWN BY: E91		DATE: 02/08/18	CUSTOMER:	DWG: ST201513W
SCALE: DO NOT SCALE		DESCRIPTION: STANDARD ENCLOSURE	PART NUMBER: FEST201513W	

