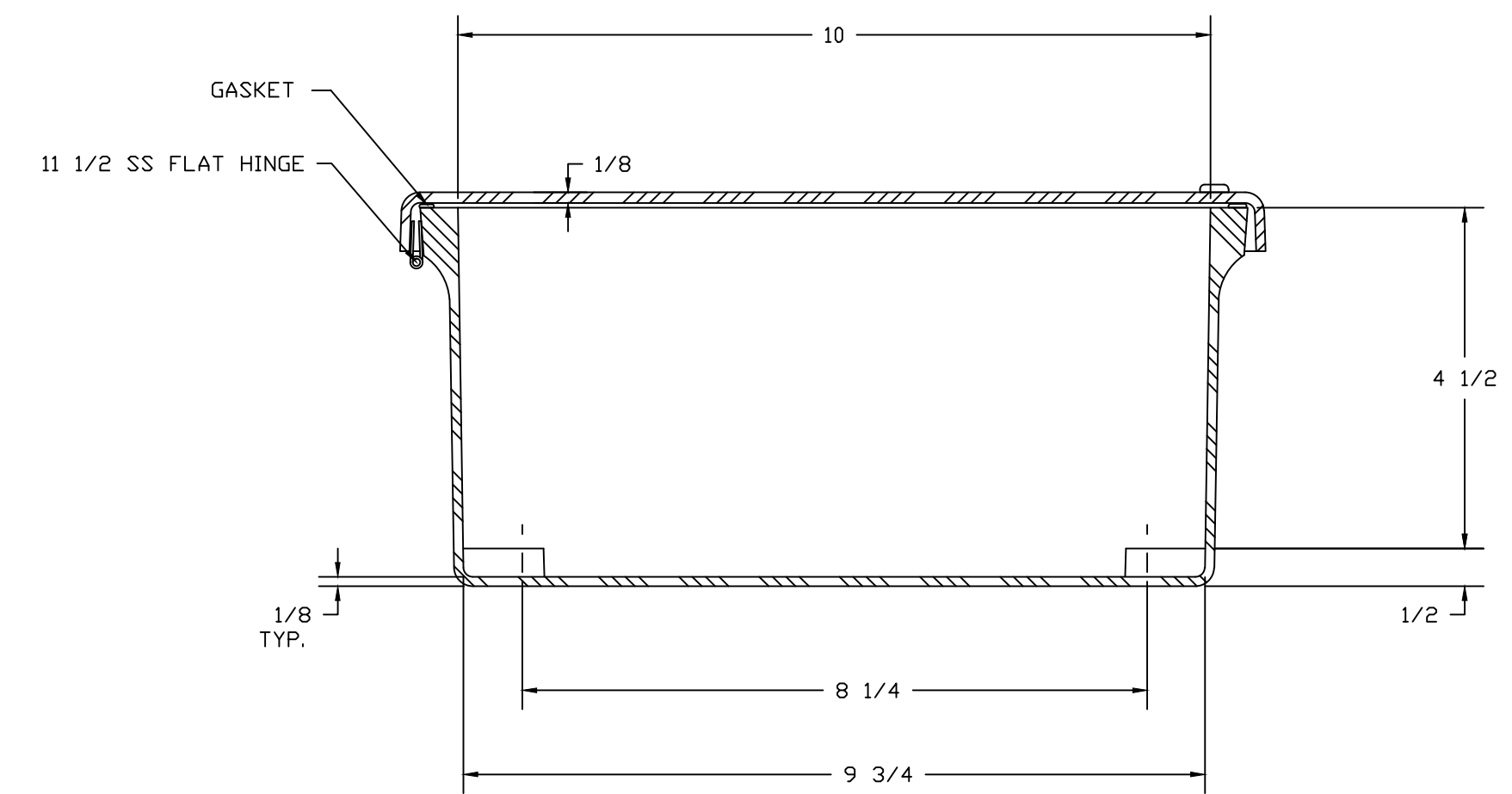
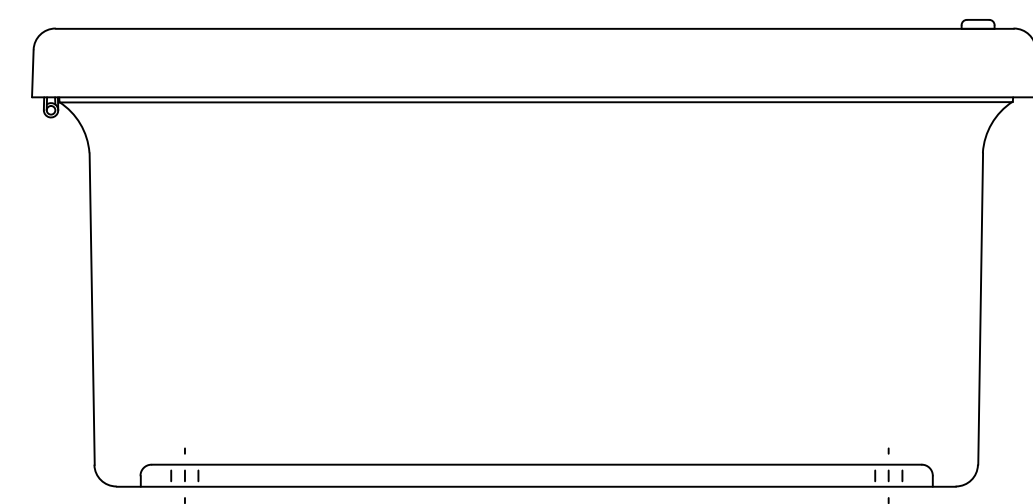



SECTION B-B



SECTION A-A

NOTES:

COLOR: WHITE RR3008				TOLERANCES UNLESS SPECIFIED		DECIMAL ± 0.010	FRACTIONAL $\pm 1/32$
NEMA 1, 3R, 4X, 12				DR. BY SL		DATE 12/20/11	 BELDING, MICHIGAN 48809
MATERIAL F.R. POLYESTER FIBERGLASS				CHK. BY	DATE	CUSTOMER	
LET.	REVISION RECORD	DATE	BY	CHD.	APD. BY	DATE	AutoCAD DWG. FILE WH-J1210HW
SCALE DD NDT SCALE				PART NAME ENCLLOSURE		PART NO. WH-J1210HW	