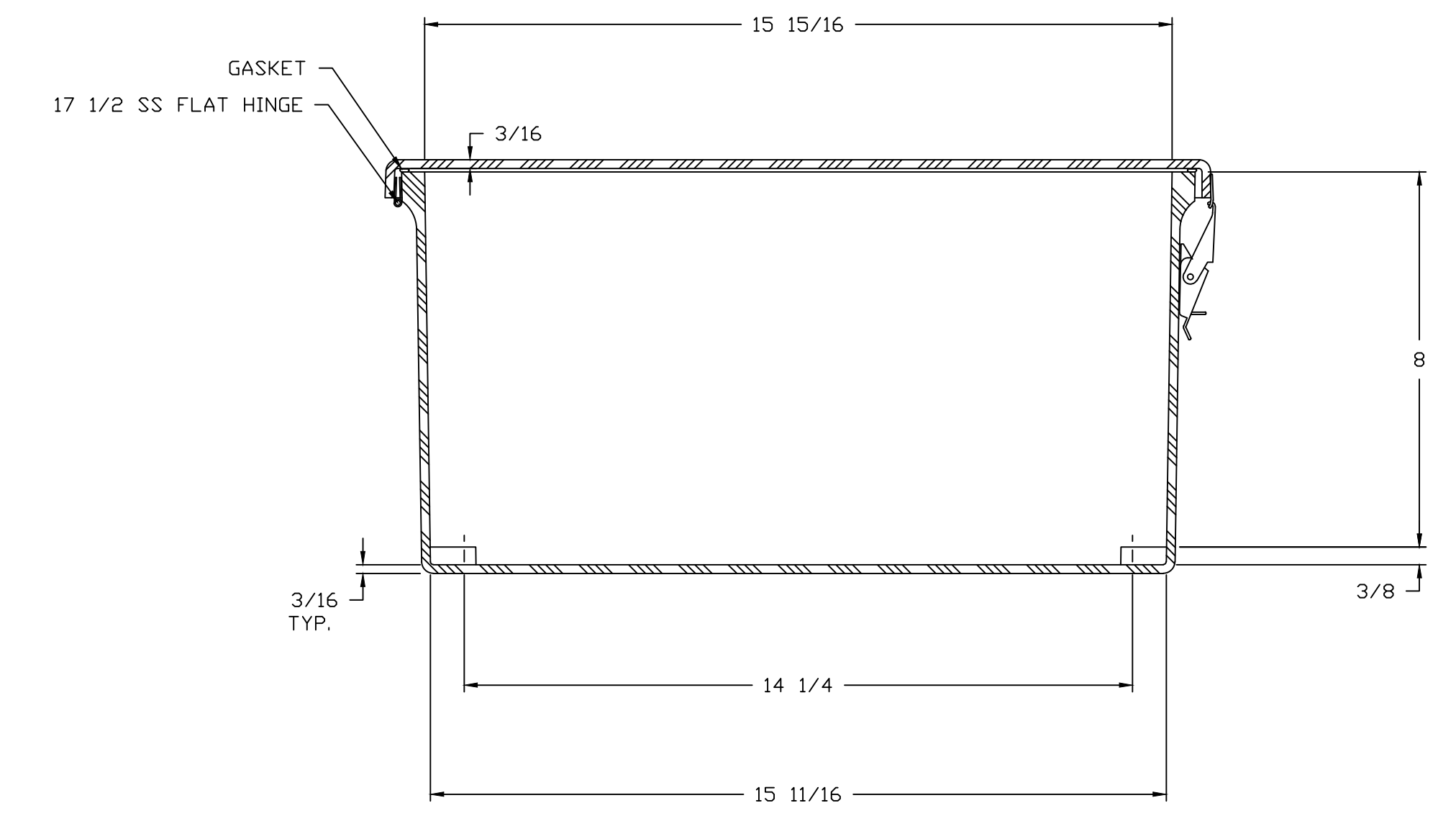
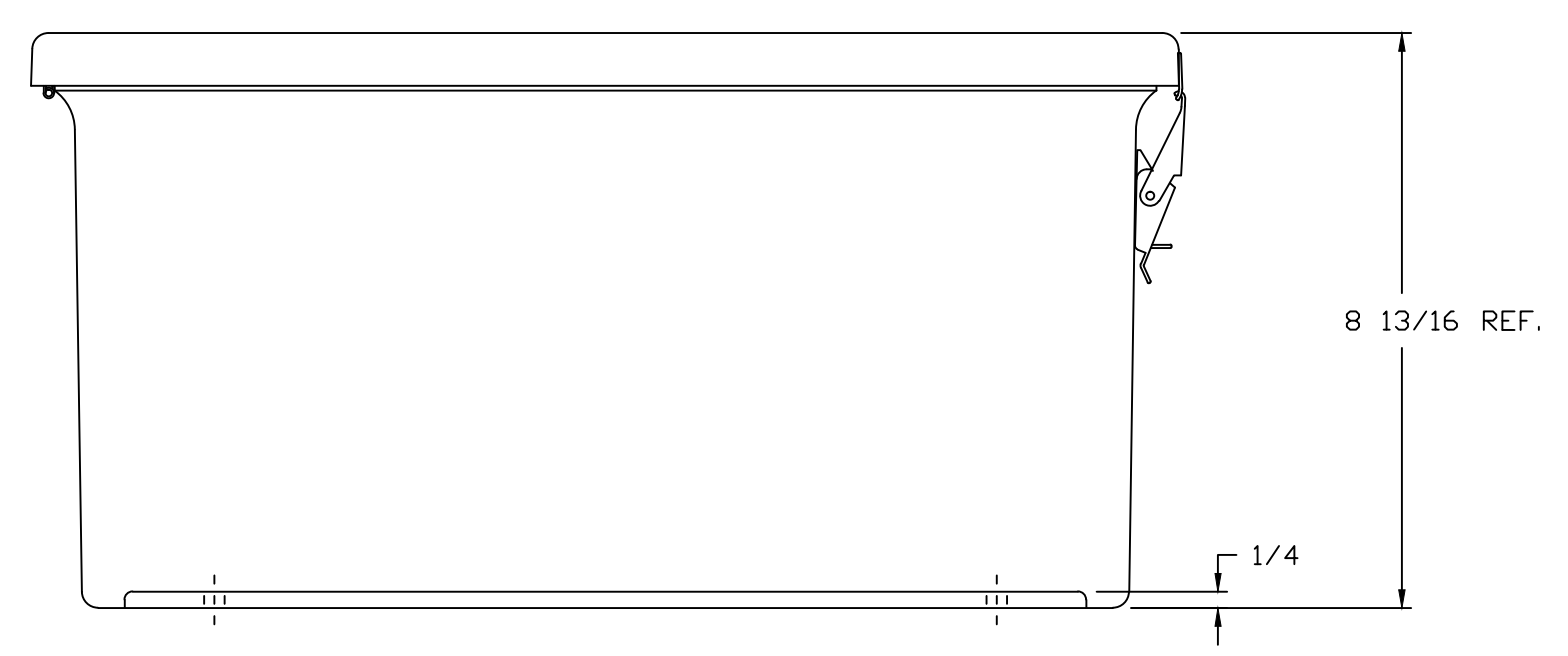
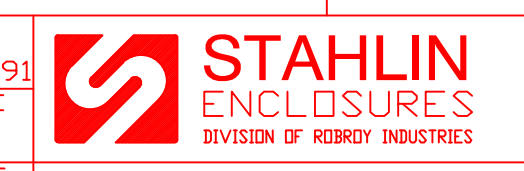


SECTION B-B



SECTION A-A

NEMA 4X		TOLERANCES UNLESS SPECIFIED		DECIMAL ± .010	FRACTIONAL ± 1/32
COLOR WHITE RR3008					
MATERIAL	F.R. POLYESTER FIBERGLASS	DR. BY	SH	DATE	5/3/91
LET.	REVISION RECORD	DATE	BY	CHK. BY	DATE
				APD. BY	DATE
		SCALE		PART NAME	CUSTOMER
		DO NOT SCALE		ENCLOSURE	AutoCAD DWG. FILE
				PART NO.	WH-J1816HPL
				PART NO.	WH-J1816HPL



BELDING, MICHIGAN
48809