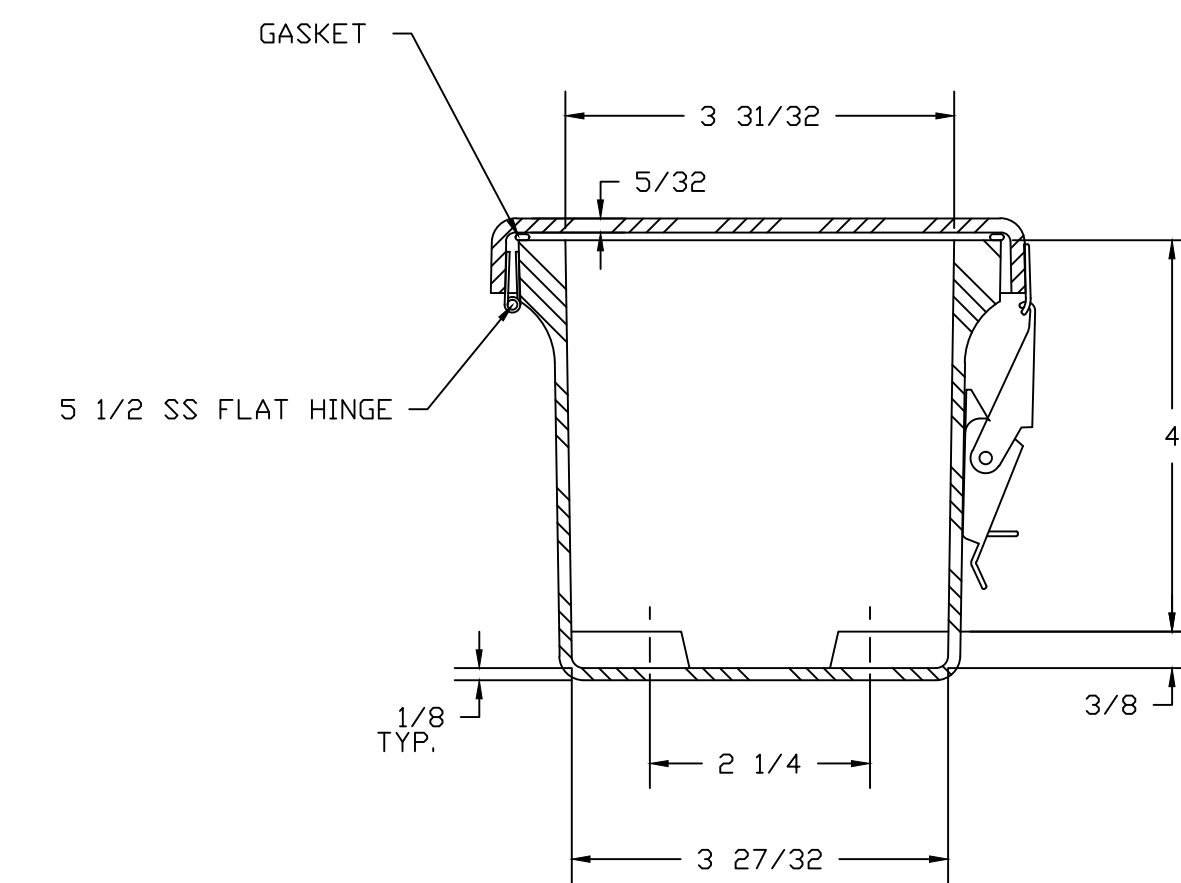
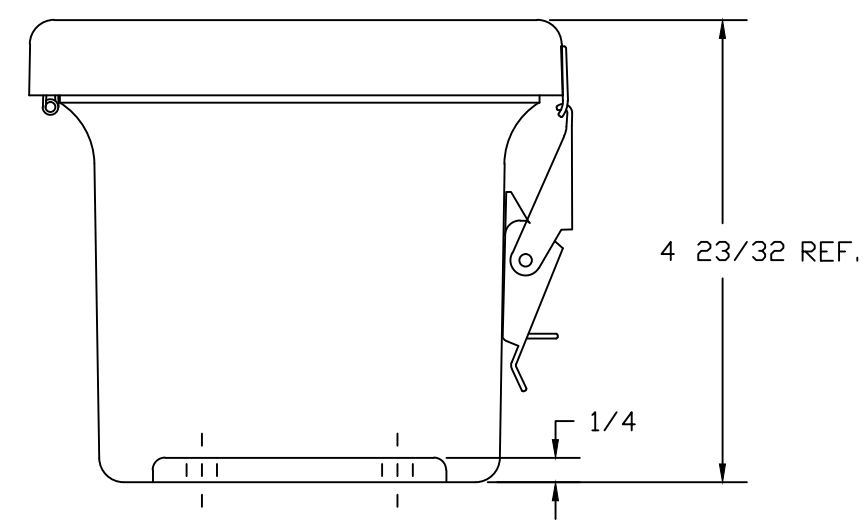



SECTION B-B



SECTION A-A

NOTES:

NEMA 4X		TOLERANCES UNLESS SPECIFIED		DECIMAL ± .010	FRACTIONAL ± 1/32
COLOR WHITE RR3008					
MATERIAL	F.R. POLYESTER FIBERGLASS	DR. BY SH	DATE 6/5/91	 STAHLIN ENCLOSURES DIVISION OF ROBROY INDUSTRIES	
LET.	REVISION RECORD	DATE	BY		
					BELDING, MICHIGAN 48809 AutoCAD DWG. FILE WH-J604HPL
		APD. BY	DATE	CUSTOMER	
		SCALE DO NOT SCALE	PART NAME ENCLOSURE	PART NO.	WH-J604HPL